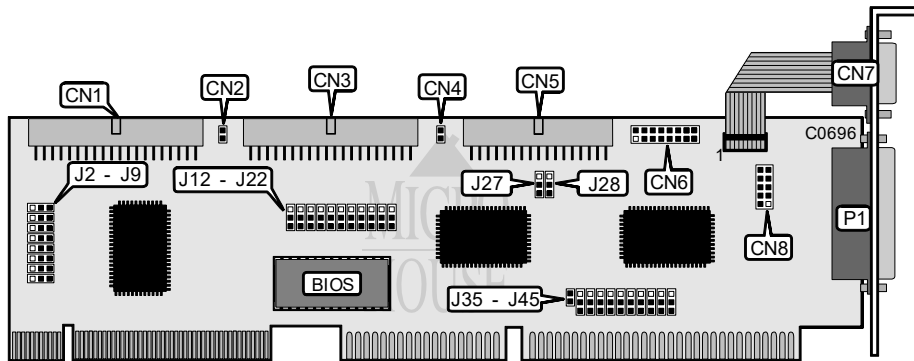


# SIIG, INC. ENHANCED IDE MASTER VL

Q3/95

Data bus: 32-bit VL-Bus  
 Size: Three-quarter-length, half-height card  
 Hard drive supported: Four IDE (AT) interface drives  
 Floppy drives supported: Two 360KB, 720KB, 1.2MB, 1.44MB, or 2.88MB drives



CONNECTIONS	
Function	Location
40-pin IDE (AT) interface connector	CN1
2-pin connector - drive active LED	CN2
40-pin IDE (AT) interface connector	CN3
2-pin connector - drive active LED	CN4
34-pin controller cable connector - floppy drive	CN5
16-pin game port connector - internal	CN6
9-pin serial port - external	CN7
10-pin serial port connector - internal	CN8
25-pin parallel port connector - external	P1

Continued on next page. . .

# SIIG, INC.

## ENHANCED IDE MASTER VL

...continued from previous page

USER CONFIGURABLE SETTINGS		
Function	Location	Setting
í VL-Bus IDE (AT) interface enabled	J7/pins 1 & 2	closed
VL-Bus IDE (AT) interface disabled	J7/pins 2 & 3	closed
í VL-Bus IDE (AT) primary address	J8/pins 1 & 2	closed
VL-Bus IDE (AT) secondary address	J8/pins 2 & 3	closed
í VL-Bus IDE (AT) IRQ14 select	J9/pins 1 & 2	closed
VL-Bus IDE (AT) IRQ15 select	J9/pins 2 & 3	closed
í Parallel port IRQ7 select	J20/pins 1 & 2	closed
Parallel port IRQ5 select	J20/pins 2 & 3	closed
í ISA-Bus IDE (AT) IRQ15 select	J21/pins 1 & 2	closed
ISA-Bus IDE (AT) IRQ14 select	J21/pins 2 & 3	closed
í ISA-Bus IDE (AT) secondary address	J22/pins 1 & 2	closed
ISA-Bus IDE (AT) IRQ15 primary address	J22/pins 2 & 3	closed
í Game port enabled	J35	closed
Game port disabled	J35	open
í Floppy controller enabled	J40/pins 1 & 2	closed
Floppy controller disabled	J40/pins 2 & 3	closed
í ISA-Bus IDE (AT) interface enabled	J41/pins 1 & 2	closed
ISA-Bus IDE (AT) interface disabled	J41/pins 2 & 3	closed

VL-BUS IDE (AT) DRIVE SPEED SELECTION		
Speed	J2	J3
í 2	pins 1 & 2 closed	pins 1 & 2 closed
0	pins 1 & 2 closed	pins 2 & 3 closed
4	pins 2 & 3 closed	pins 2 & 3 closed
6	pins 2 & 3 closed	pins 1 & 2 closed

SERIAL PORT 1 CONFIGURATION		
COM	J36	J37
í COM1 (3F8h)	pins 1 & 2 closed	pins 1 & 2 closed
COM2 (2F8h)	pins 1 & 2 closed	pins 2 & 3 closed
COM3 (3E8h)	pins 2 & 3 closed	pins 1 & 2 closed
Disabled	pins 2 & 3 closed	pins 2 & 3 closed

Continued on next page. . .

# SIIG, INC.

## ENHANCED IDE MASTER VL

...continued from previous page

SERIAL PORT 1 INTERRUPT SELECTION								
IRQ	J12	J13	J14	J15	J16	J17	J18	J19
4	open	open	open	open	open	open	1 & 2	open
2/9	open	open	open	2 & 3	open	open	open	open
3	open	open	open	open	open	open	open	2 & 3
5	open	open	open	open	open	2 & 3	open	open
7	open	open	open	open	2 & 3	open	open	open
10	open	open	2 & 3	open	open	open	open	open
11	open	2 & 3	open	open	open	open	open	open
12	2 & 3	open	open	open	open	open	open	open

Note: Pins designated are in the closed position.

SERIAL PORT 2 CONFIGURATION		
COM	J38	J39
COM2 (2F8h)	pins 1 & 2 closed	pins 1 & 2 closed
COM1 (3F8h)	pins 1 & 2 closed	pins 2 & 3 closed
COM4 (2E8h)	pins 2 & 3 closed	pins 1 & 2 closed
Disabled	pins 2 & 3 closed	pins 2 & 3 closed

SERIAL PORT 2 INTERRUPT SELECTION								
IRQ	J12	J13	J14	J15	J16	J17	J18	J19
3	open	open	open	open	open	open	open	1 & 2
2/9	open	open	open	1 & 2	open	open	open	open
4	open	open	open	open	open	open	2 & 3	open
5	open	open	open	open	open	1 & 2	open	open
7	open	open	open	open	1 & 2	open	open	open
10	open	open	1 & 2	open	open	open	open	open
11	open	1 & 2	open	open	open	open	open	open
12	1 & 2	open	open	open	open	open	open	open

Note: Pins designated are in the closed position.

PARALLEL PORT CONFIGURATION		
LPT	J42	J43
LPT1 (378h)	pins 1 & 2 closed	pins 1 & 2 closed
LPT2 (278h)	pins 1 & 2 closed	pins 2 & 3 closed
LPT3 (3BCh)	pins 2 & 3 closed	pins 2 & 3 closed
Disabled	pins 2 & 3 closed	pins 1 & 2 closed

Continued on next page. . .

SIIG, INC.  
 ENHANCED IDE MASTER VL

...continued from previous page

PARALLEL PORT MODE SELECTION		
Mode	J27	J28
í EPP/Bi-directional	pins 2 & 3 closed	pins 1 & 2 closed
ECP	pins 1 & 2 closed	pins 2 & 3 closed
ECP & EPP	pins 2 & 3 closed	pins 2 & 3 closed
SPP	pins 1 & 2 closed	pins 1 & 2 closed

PARALLEL PORT DMA CHANNEL SELECTION		
Channel	J44	J45
í 3	pins 2 & 3 closed	pins 2 & 3 closed
1	pins 1 & 2 closed	pins 1 & 2 closed

Note: DMA channel selection is only in ECP mode.

BIOS ADDRESS SELECTION			
Setting	J4	J5	J6
í DC000h	pins 1 & 2 closed	pins 1 & 2 closed	pins 1 & 2 closed
C8000h	pins 2 & 3 closed	pins 1 & 2 closed	pins 2 & 3 closed
CC000h	pins 1 & 2 closed	pins 1 & 2 closed	pins 2 & 3 closed
D0000h	pins 2 & 3 closed	pins 2 & 3 closed	pins 1 & 2 closed
D4000h	pins 1 & 2 closed	pins 2 & 3 closed	pins 1 & 2 closed
D8000h	pins 2 & 3 closed	pins 1 & 2 closed	pins 1 & 2 closed