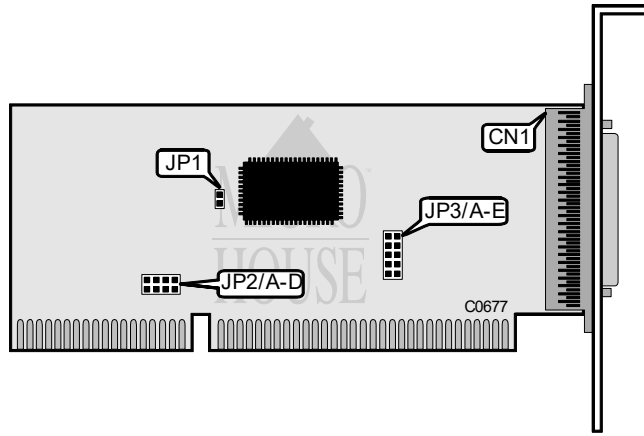


Q LOGIC CORPORATION FAST!SCSI BASIC E

Q2/95

Data bus: 16-bit ISA
 Size: Half-length, half-height card
 Hard drive supported: Up to seven SCSI devices
 Floppy drives supported: N/A



CONNECTIONS	
Function	Location
50-pin SCSI connector - external	CN1

USER CONFIGURABLE SETTINGS		
Function	Location	Setting
I/O Address - 330-33Fh	JP1	open
I/O Address - 230-23Fh	JP1	closed
Data transfer mode asynchronous	JP3/A	open
Data transfer mode synchronous	JP3/A	closed
SCSI ID7	JP3/B	open
SCSI ID6	JP3/B	closed
Parity - enabled	JP3/C	open
Parity - disabled	JP3/C	closed

INTERRUPT SELECT						
IRQ	JP2/A	JP2/B	JP2/C	JP2/D	JP3/D	JP3/E
I IRQ11	open	closed	open	open	open	open
IRQ10	closed	open	open	open	closed	open
IRQ12	open	open	closed	open	closed	closed
IRQ15	open	open	open	closed	open	closed