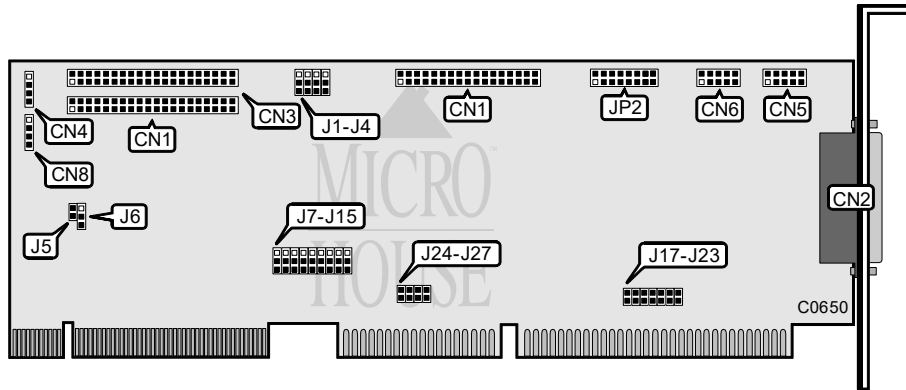


TYAN COMPUTER CORPORATION S1345 (REV. 1.3)

Q1/95

Data bus: 32-bit, VL-bus
 Size: Three/quarter-length, half-height card
 Hard drive supported: Four IDE (AT) interface drives
 Floppy drives supported: Two 360KB, 720KB, 1.2MB, or 1.44MB drives



CONNECTIONS	
Function	Location
34-pin control cable connector - floppy drive	CN1
25-pin parallel port	CN2
40-pin IDE (AT) Interface connector - primary	CN3
4-pin connector - primary drive active LED	CN4
10-pin serial port 2	CN5
10-pin serial port 1	CN6
40-pin IDE (AT) Interface connector - secondary	CN7
4-pin connector - secondary drive active LED	CN8

USER CONFIGURABLE SETTINGS		
Function	Location	Setting
Hard drive enabled	J1	pins 2 & 3 closed
Hard drive disabled	J1	Pins 1 & 2 closed
I/O Channel Ready signal not used	J5	Open
I/O Channel Ready signal used	J5	Closed
VL Ready signal used	J6	Pins 2 & 3 closed
CPU Ready signal used	J6	Pins 1 & 2 closed
Floppy drives A: & B: normal order	J7	Pins 2 & 3 closed
Floppy drives A: & B: reverse order	J7	Pins 1 & 2 closed
Floppy drive enabled	J8	Pins 2 & 3 closed
Floppy drive disabled	J8	Pins 1 & 2 closed

Continued on next page . . .

TYAN COMPUTER CORPORATION

S1345 (REV. 1.3)

... continued from previous page

USER CONFIGURABLE SETTINGS		
Function	Location	Setting
í Floppy drive primary address (3F0h) selected	J9	Pins 2 & 3 closed
í Floppy drive secondary address (370h) selected	J9	Pins 1 & 2 closed
í Primary IDE port uses IRQ14	J17	Closed
í Primary IDE port interrupt disabled	J17	Open
í Serial port 2 uses IRQ3	J18	Closed
í Serial port 2 interrupt disabled	J18	Open
í Serial port 1 uses IRQ4	J19	Closed
í Serial port 1 interrupt disabled	J19	Open
í Floppy drive uses IRQ6	J21	Closed
í Floppy drive interrupt disabled	J21	Open
í Game port enabled	J23	Closed
í Game port disabled	J23	Open
í Factory configured - do not alter	J24	N/A
í Factory configured - do not alter	J25	N/A
í Factory configured - do not alter	J26	N/A
í Secondary IDE port uses IRQ15	J27	Closed
í Secondary IDE port interrupt disabled	J27	Open

PRIMARY IDE WAIT STATE			
Setting	J2	J3	J4
í Standard	Pins 2 & 3 closed	pins 2 & 3 closed	Pins 2 & 3 closed
VL bus speed ≤ 33MHz	Pins 1 & 2 closed	Pins 2 & 3 closed	Pins 1 & 2 closed
VL bus speed > 33MHz	Pins 2 & 3 closed	Pins 1 & 2 closed	Pins 2 & 3 closed

PARALLEL PORT CONFIGURATION		
LPT/Address	J10	J11
í LPT1/378h	pins 2 & 3 closed	Pins 2 & 3 closed
LPT2/278h	pins 1 & 2 closed	pins 1 & 2 closed
LPT3/3BCh	pins 1 & 2 closed	pins 2 & 3 closed
Disabled	pins 2 & 3 closed	pins 1 & 2 closed

PARALLEL PORT INTERRUPT SELECT		
IRQ	J20	J22
í IRQ7	Open	Closed
IRQ5	Closed	Open
Disabled	Open	Open

Continued on next page . . .

TYAN COMPUTER CORPORATION

S1345 (REV. 1.3)

... continued from previous page

SERIAL PORT 1 CONFIGURATION			
COM/Address		J12	J13
f	COM1/3F8h	pins 2 & 3 closed	pins 2 & 3 closed
	COM3/3E8h	pins 1 & 2 closed	pins 1 & 2 closed
	COM4/2E8h	pins 2 & 3 closed	pins 1 & 2 closed
	Disabled	pins 1 & 2 closed	pins 2 & 3 closed

SERIAL PORT 2 CONFIGURATION			
COM/Address		J14	J15
f	COM2/2F8h	pins 2 & 3 closed	pins 2 & 3 closed
	COM3/3E8h	pins 2 & 3 closed	pins 1 & 2 closed
	COM4/2E8h	pins 1 & 2 closed	pins 1 & 2 closed
	Disabled	pins 1 & 2 closed	pins 2 & 3 closed