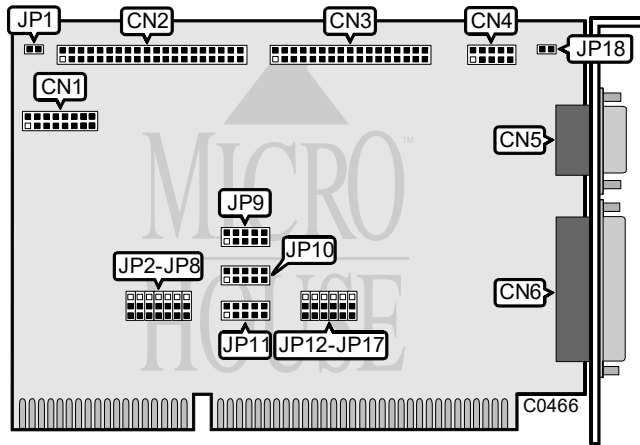


LONGSHINE MICROSYSTEM, INC.
LCS-6624U/G

Q2/94

Data bus: 16-bit, ISA
Size: Half-length, full-height card
Hard drive supported: Two IDE(AT) or one IDE(XT) Interface drives
Floppy drives supported: Two 360KB, 720KB, 1.2MB, or 1.44MB drives



CONNECTIONS	
Function	Location
16-pin game port - internal	CN1
40-pin IDE(AT) Interface connector	CN2
34-pin control cable connector-floppy drive	CN3
10-pin serial port (COM2/4) - internal	CN4
10-pin serial port (COM1/3) - external	CN5
25-pin parallel port (LPT1/2) - external	CN6
2-pin connector - Drive active LED	JP1

USER CONFIGURABLE SETTINGS		
Function	Location	Setting
i Game port enabled	JP2	pins 1 & 2 closed
	JP2	pins 2 & 3 closed
i Hard drive controller installation installed	JP3	pins 1 & 2 closed
	JP3	pins 2 & 3 closed
i IDE drive mode is XT	JP4	pins 1 & 2 closed
	JP4	pins 2 & 3 closed
i IDE drive mode is AT	JP4	pins 2 & 3 closed

Continued on next page . . .

LONGSHINE MICROSYSTEM, INC.
LCS-6624U/G

... continued from previous page

USER CONFIGURABLE SETTINGS		
Function	Location	Setting
í Hard drive port address is 3F6, 3F7, 1F0-1F7h	JP5	pins 1 & 2 closed
Hard drive port address is 376, 377, 170-177h	JP5	pins 2 & 3 closed
í Hard drive enabled	JP6	pins 1 & 2 closed
Hard drive disabled	JP6	pins 2 & 3 closed
í Floppy drive port address is 3F7, 1F7, 3F0-3F7h	JP7	pins 1 & 2 closed
Floppy drive port address is 377, 177, 370-377h	JP7	pins 2 & 3 closed
í Floppy drive enabled	JP8	pins 1 & 2 closed
Floppy drive disabled	JP8	pins 2 & 3 closed
í Serial Port 2 (CN4) is set to COM2 (2F8h)	JP12	pins 1 & 2 closed
Serial Port 2 (CN4) is set to COM4 (2E8h)	JP12	pins 2 & 3 closed
í Serial Port 2 (CN4) enabled	JP13	pins 1 & 2 closed
Serial Port 2 (CN4) disabled	JP13	pins 2 & 3 closed
í Serial Port 1 (CN5) is set to COM1 (3F8h)	JP14	pins 1 & 2 closed
Serial Port 1 (CN5) is set to COM3 (3E8h)	JP14	pins 2 & 3 closed
í Serial Port 1 (CN5) enabled	JP15	pins 1 & 2 closed
Serial Port 1 (CN5) disabled	JP15	pins 2 & 3 closed
í Parallel port (CN6) is set to LPT2 (378h)	JP16	pins 1 & 2 closed
Parallel port (CN6) is set to LPT3 (278h)	JP16	pins 2 & 3 closed
í Parallel port (CN6) enabled	JP17	pins 1 & 2 closed
Parallel port (CN6) disabled	JP17	pins 2 & 3 closed
í I/O Channel Ready disabled	JP18	open
I/O Channel Ready enabled	JP18	closed

PARALLEL PORT (CN6) INTERRUPT REQUEST - JP9					
IRQ	Jumper 1	Jumper 2	Jumper 3	Jumper 4	Jumper 5
3	closed	open	open	open	open
4	open	closed	open	open	open
5	open	open	closed	open	open
í 7	open	open	open	closed	open
9	open	open	open	open	closed

SERIAL PORT 1 (CN5) INTERRUPT REQUEST - JP10					
IRQ	Jumper 1	Jumper 2	Jumper 3	Jumper 4	Jumper 5
3	closed	open	open	open	open
í 4	open	closed	open	open	open
5	open	open	closed	open	open
7	open	open	open	closed	open
9	open	open	open	open	closed

Continued on next page ...

LONGSHINE MICROSYSTEM, INC.
LCS-6624U/G

. . . continued from previous page

SERIAL PORT 2 (CN4) INTERRUPT REQUEST - JP11					
IRQ	Jumper 1	Jumper 2	Jumper 3	Jumper 4	Jumper 5
3	closed	open	open	open	open
4	open	closed	open	open	open
5	open	open	closed	open	open
7	open	open	open	closed	open
9	open	open	open	open	closed