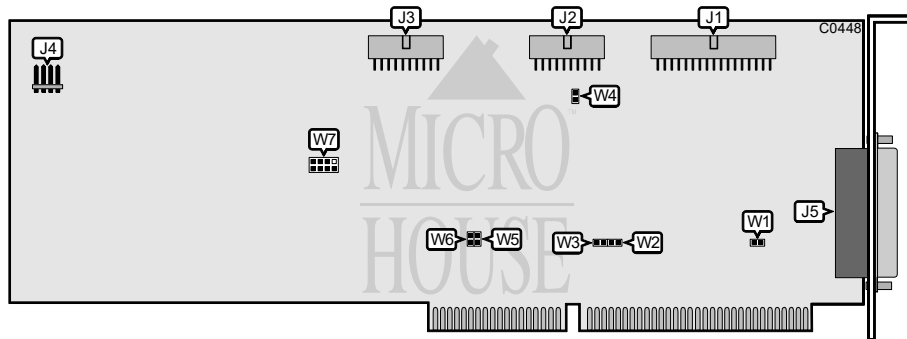


# DATA TECHNOLOGY CORPORATION

## DTC5187-1

Q2/94

Data bus: 16-bit, ISA  
 Size: Full-length, full-height card  
 Hard drive supported: Two RLL ST506/412 drives  
 Floppy drives supported: None



CONNECTIONS	
Function	Location
34-pin control cable connector - hard drive	J1
20-pin data cable connector-drive 0	J2
20-pin data cable connector-drive 1	J3
4-pin connector-Drive active LED	J4
37-pin hard drive connector - external	J5

USER CONFIGURABLE SETTINGS		
Function	Location	Setting
f Floppy drive change not driven	W1	open
Floppy drive change signal driven low	W1	closed
f BIOS enabled	W2	closed
BIOS disabled	W2	open
f BIOS address is C800h	W3	open
BIOS address is D800h	W3	closed
f BIOS EPROM type is 27128	W4	closed
BIOS EPROM type is 2764	W4	open
f Hard drive port address is 3F6, 3F7, 1F0-1F7h	W5 & W6	open
Hard drive port address is 376, 377, 170-177h	W5 & W6	closed

Continued on next page . . .

DATA TECHNOLOGY CORPORATION  
DTC5187-1

. . . continued from previous page

HARD DRIVE INTERRUPT REQUEST				
IRQ	W7/jumper 1	W7/jumper 2	W7/jumper 3	W7/jumper 4
11	closed	open	open	open
12	open	closed	open	open
13	open	open	closed	open
14	open	open	open	closed