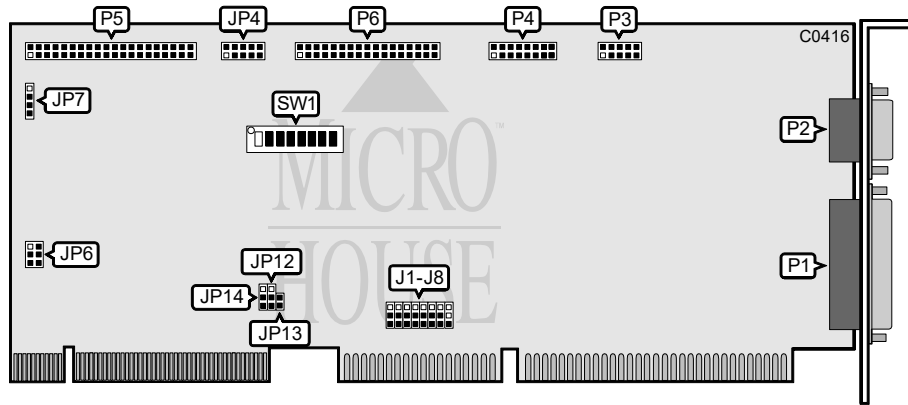


# INFORMTECH INTERNATIONAL, INC. IT-PACK5VL

Q1/94

Data bus: 32-bit, VL-bus  
 Size: Three-quarter-length, full-height card  
 Hard drive supported: Two IDE (AT) Interface drives  
 Floppy drives supported: Two 360KB, 720KB, 1.2MB, 1.44MB, or 2.88MB drives



CONNECTIONS	
Function	Location
4-pin connector - Drive active LED	JP7
25-pin parallel port (LPT1/2/3) - external	P1
10-pin serial port (COM1/2/3) - external	P2
10-pin serial port (COM2/3/4) - internal	P3
15-pin game port - internal	P4
40-pin IDE(AT) Interface connector	P5
34-pin control cable connector - floppy drive	P6

USER CONFIGURABLE SETTINGS		
Function	Location	Setting
Parallel Port Interrupt Request is IRQ7	J1	pins 2 & 3 closed
Parallel Port Interrupt Request is IRQ5	J1	pins 1 & 2 closed
Parallel port is uni-directional	J13	open
Parallel port is bi-directional	J13	closed
Serial Port 1 (P2) enabled	SW1/switch 1	on
Serial Port 1 (P2) disabled	SW1/switch 1	off
Serial Port 2 (P3) enabled	SW1/switch 2	on
Serial Port 2 (P3) disabled	SW1/switch 2	off
Floppy drive port address is 3F0-3F7h	SW1/switch 8	off
Floppy drive port address is 370-377h	SW1/switch 8	on

Continued on next page . . .

**INFORMTECH INTERNATIONAL, INC.  
IT-PACK5VL**

. . . continued from previous page

SERIAL PORT 1 (P2) INTERRUPT REQUEST						
IRQ	J2/1 & 2	J3/1 & 2	J5/1 & 2	J6/1 & 2	J7/1 & 2	J8/1 & 2
4	open	closed	open	open	open	open
9	closed	open	open	open	open	open
10	open	open	closed	open	open	open
11	open	open	open	closed	open	open
12	open	open	open	open	closed	open
16	open	open	open	open	open	closed

SERIAL PORT 2 (P3) INTERRUPT REQUEST						
IRQ	J2/2 & 3	J4/2 & 3	J5/2 & 3	J6/2 & 3	J7/2 & 3	J8/2 & 3
3	open	closed	open	open	open	open
9	closed	open	open	open	open	open
10	open	open	closed	open	open	open
11	open	open	open	closed	open	open
12	open	open	open	open	closed	open
16	open	open	open	open	open	closed

BIOS ADDRESS					
Address	JP4/jumper 1	JP4/jumper 2	JP4/jumper 3	JP4/jumper 4	JP4/jumper 5
DE000h	open	open	open	open	closed
DC000h	open	open	open	closed	closed
DA000h	open	open	closed	open	closed
D8000h	open	open	closed	closed	closed
D6000h	open	closed	open	open	closed
D4000h	open	closed	open	closed	closed
D2000h	open	closed	closed	open	closed
D0000h	open	closed	closed	closed	closed
CE000h	closed	open	open	open	closed
CC000h	closed	open	open	closed	closed
CA000h	closed	open	closed	open	closed
C8000h	closed	open	closed	closed	closed
Disabled	n/a	n/a	n/a	n/a	open

VL-BUS WAIT STATE CONFIGURATION		
Wait State	JP6/jumper 1	JP6/jumper 2
2	pins 1 & 2 closed	pins 2 & 3 closed
1	pins 2 & 3 closed	pins 2 & 3 closed
0	pins 2 & 3 closed	pins 1 & 2 closed

Continued on next page . . .

**INFORMTECH INTERNATIONAL, INC.**  
**IT-PACK5VL**

. . . continued from previous page

SERIAL PORT CONFIGURATION				
Port 1	Port 2	SW1/switch 3	SW1/switch 4	SW1/switch 5
i COM1	COM2	on	on	on
COM2	COM3	on	on	off
COM2	COM3	on	off	on
COM3	COM4	on	off	off
COM3	COM4	off	on	on
COM3	COM4	off	on	off
COM3	COM4	off	off	on
Disabled	Disabled	off	off	off

PARALLEL PORT (P1) CONFIGURATION		
LPT	SW1/switch 6	SW1/switch 7
i LPT1 (378h)	off	on
LPT2 (278h)	on	on
MDA (3BCh)	on	off
Disabled	off	off

MISCELLANEOUS TECHNICAL NOTES
Jumpers JP12 and JP13 are factory configured - do not alter.