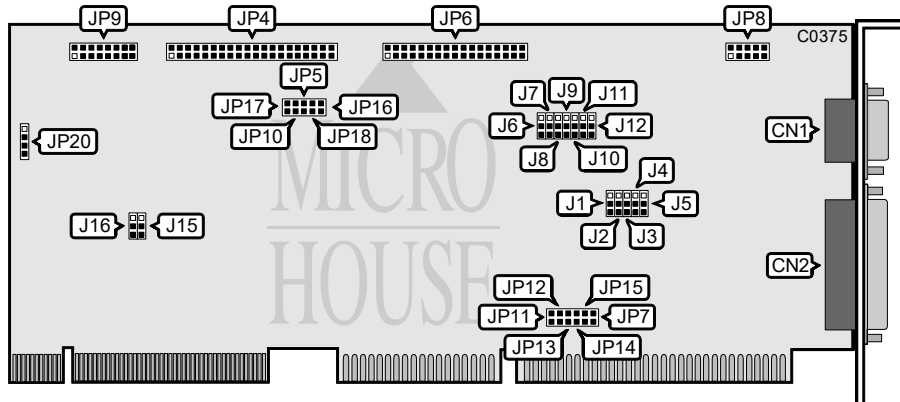


TYAN COMPUTER CORPORATION VL IDE & I/O CONTROLLER

Q1/94

Data bus: 32-bit, VL-bus
 Size: Three-quarter-length, full-height card
 Hard drive supported: Two IDE (AT) Interface drives
 Floppy drives supported: Two 360KB, 720KB, 1.2MB, or 1.44MB drives



CONNECTIONS	
Function	Location
10-pin serial port (COM1/3/4) - external	CN1
25-pin parallel port (LPT1/2/3) - external	CN2
40-pin IDE(AT) Interface connector	JP4
34-pin control cable connector - floppy drive	JP6
10-pin serial port (COM2/3/4) - internal	JP8
15-pin game port - internal	JP9
4-pin connector - Drive active LED	JP20

USER CONFIGURABLE SETTINGS		
Function	Location	Setting
f Floppy drive enabled	J1	pins 2 & 3 closed
Floppy drive disabled	J1	pins 1 & 2 closed
f Hard drive port address is 1F0-1F7h	J2	pins 2 & 3 closed
Hard drive port address is 170-177h	J2	pins 1 & 2 closed
f Floppy drive booting sequence is A:/B:	J3	pins 2 & 3 closed
Floppy drive booting sequence is B:/A:	J3	pins 1 & 2 closed
f Hard drive enabled	J4	pins 2 & 3 closed
Hard drive disabled	J4	pins 1 & 2 closed
f Hard drive port address is 1F0-1F7, 3F0-3F7h	J5	pins 2 & 3 closed
Hard drive port address is 170-177, 370-377h	J5	pins 1 & 2 closed

Continued on next page . . .

TYAN COMPUTER CORPORATION

VL IDE & I/O CONTROLLER

... continued from previous page

USER CONFIGURABLE SETTINGS		
Function	Location	Setting
í Game Port (CN6) enabled	J12	pins 2 & 3 closed
Game Port (CN6) disabled	J12	pins 1 & 2 closed
í Local bus clock speed 33 MHz or 50 MHz	J16	pins 2 & 3 closed
Local bus clock speed 25 MHz or 40 MHz	J16	pins 1 & 2 closed
í Single hard drive supported	JP5	closed
Two hard drives supported	JP5	open
í Parallel port is bi-directional	JP7	closed
Parallel port is uni-directional	JP7	open
í Hard drive Interrupt IRQ14 enabled	JP10	closed
Hard drive Interrupt IRQ14 disabled	JP10	open
í Serial Port 2 (JP8) Interrupt IRQ3 enabled	JP11	closed
Serial Port 2 (JP8) Interrupt IRQ3 disabled	JP11	open
í Serial Port 1 (CN1) Interrupt IRQ4 enabled	JP12	closed
Serial Port 1 (CN1) Interrupt IRQ4 disabled	JP12	open
í Floppy drive Interrupt IRQ6 enabled	JP13	closed
Floppy drive Interrupt IRQ6 disabled	JP13	open

PARALLEL PORT (CN2) CONFIGURATION		
LPT	J6	J7
í LPT1 (378-37Fh)	pins 2 & 3 closed	pins 2 & 3 closed
LPT2 (278-27Fh)	pins 1 & 2 closed	pins 1 & 2 closed
LPT3 (3BC-3BEh)	pins 2 & 3 closed	pins 1 & 2 closed
Disabled	pins 1 & 2 closed	pins 2 & 3 closed

SERIAL PORT 1 (CN1) CONFIGURATION		
COM	J8	J9
í COM1 (3F8-3FFh)	pins 2 & 3 closed	pins 2 & 3 closed
COM3 (3E8-3EFh)	pins 1 & 2 closed	pins 1 & 2 closed
COM4 (2E8-2EFh)	pins 2 & 3 closed	pins 1 & 2 closed
Disabled	pins 1 & 2 closed	pins 2 & 3 closed

Continued on next page ...

TYAN COMPUTER CORPORATION VL IDE & I/O CONTROLLER

... continued from previous page

SERIAL PORT 2 (JP8) CONFIGURATION		
COM	J10	J11
í COM2 (2F8-2FFh)	pins 2 & 3 closed	pins 2 & 3 closed
COM3 (3E8-3EFh)	pins 2 & 3 closed	pins 1 & 2 closed
COM4 (2E8-2EFh)	pins 1 & 2 closed	pins 1 & 2 closed
Disabled	pins 1 & 2 closed	pins 2 & 3 closed

HARD DRIVE TIMING OPTION		
Function	J15	JP17
í VESA mode enabled	pins 2 & 3 closed	open
ISA mode enabled	pins 1 & 2 closed	closed

PARALLEL PORT (CN2) INTERRUPT REQUEST		
IRQ	JP14	JP15
5	closed	open
7	open	closed
í Disabled	open	open

MISCELLANEOUS TECHNICAL NOTES
Jumpers JP16 & JP18 are not used.