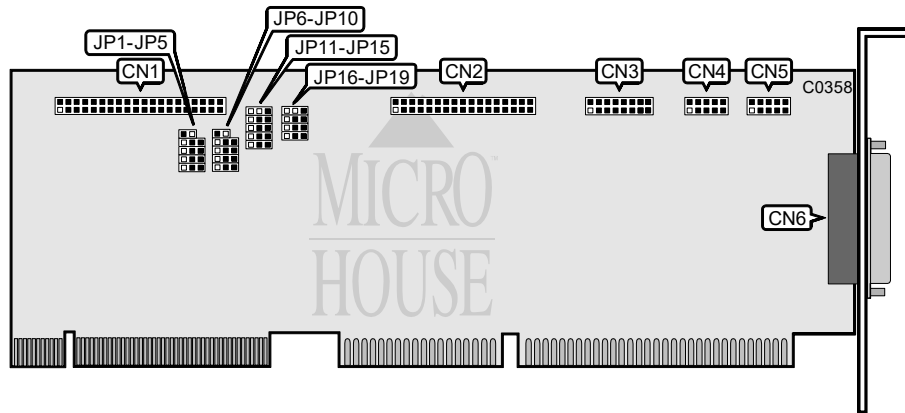


# ADVANCED INTEGRATION RESEARCH, INC. IDE-3V

Q1/94

**Data bus:** 32-bit, VL-bus  
**Size:** Three-quarter-length, half-height card  
**Hard drive supported:** Two IDE (AT) Interface drives  
**Floppy drives supported:** Two 360KB, 720KB, 1.2MB, or 1.44MB drives



CONNECTIONS	
Function	Location
40-pin IDE(AT) Interface connector	CN1
2-pin connector - Drive active LED	JP6
34-pin control cable connector - floppy drive	CN2
15-pin game port - internal	CN3
10-pin serial port (COM1/3) - internal	CN4
10-pin serial port (COM2/4) - internal	CN5
25-pin parallel port (LPT1/2) - external	CN6

USER CONFIGURABLE SETTINGS		
Function	Location	Setting
Motherboard with SIS 460/461 chip	JP2	pins 2 & 3 closed
Motherboard with other chips	JP2	pins 1 & 2 closed
f Floppy drive enabled	JP16	pins 1 & 2 closed
Floppy drive disabled	JP16	pins 2 & 3 closed
f Game Port (CN3) enabled	JP19	pins 1 & 2 closed
Game Port (CN3) disabled	JP19	pins 2 & 3 closed

Continued on next page . . .

# ADVANCED INTEGRATION RESEARCH, INC.

## IDE-3V

... continued from previous page

IDE ACTIVE TIME			
Function	JP3	JP4	JP5
i 4T (at 33 MHz)	pins 1 & 2 closed	pins 2 & 3 closed	pins 2 & 3 closed
9T (at 50 MHz)	pins 2 & 3 closed	pins 1 & 2 closed	pins 1 & 2 closed

HARD DRIVE ENABLED/DISABLED		
Select	JP7	JP12
i Hard drive enable	pins 1 & 2 closed	pins 2 & 3 closed
Hard drive disable	pins 2 & 3 closed	pins 1 & 2 closed

IDE RECOVERY TIME				
Time	VL-bus clock	JP8	JP9	JP10
9T (low speed)	33 MHz	pins 2 & 3 closed	pins 1 & 2 closed	pins 2 & 3 closed
7T (mid speed)	33 MHz	pins 1 & 2 closed	pins 2 & 3 closed	pins 2 & 3 closed
5T (high speed)	33 MHz	pins 2 & 3 closed	pins 2 & 3 closed	pins 2 & 3 closed
13T (low speed)	50 MHz	pins 2 & 3 closed	pins 2 & 3 closed	pins 1 & 2 closed
11T (mid speed)	50 MHz	pins 1 & 2 closed	pins 1 & 2 closed	pins 2 & 3 closed
9T (high speed)	50 MHz	pins 2 & 3 closed	pins 1 & 2 closed	pins 2 & 3 closed

PARALLEL PORT (CN6) CONFIGURATION		
LPT	JP11	JP17
i LPT1 (378-37Fh)	pins 1 & 2 closed	pins 1 & 2 closed
LPT2 (278-27Fh)	pins 1 & 2 closed	pins 2 & 3 closed
Disabled	pins 2 & 3 closed	n/a

SERIAL PORT 1 (CN4) CONFIGURATION		
COM	JP13	JP14
i COM1 (3F8-3FFh)	pins 1 & 2 closed	pins 1 & 2 closed
COM3 (3E8-3EFh)	pins 1 & 2 closed	pins 2 & 3 closed
disabled	pins 2 & 3 closed	n/a

SERIAL PORT 2 (CN5) CONFIGURATION		
COM	JP15	JP18
i COM2 (2F8-2FFh)	pins 1 & 2 closed	pins 1 & 2 closed
COM4 (2E8-2EFh)	pins 1 & 2 closed	pins 2 & 3 closed
disabled	pins 2 & 3 closed	n/a

MISCELLANEOUS TECHNICAL NOTES
The function of jumper JP1 is not documented.
T = Tick = Approx. .055 sec.