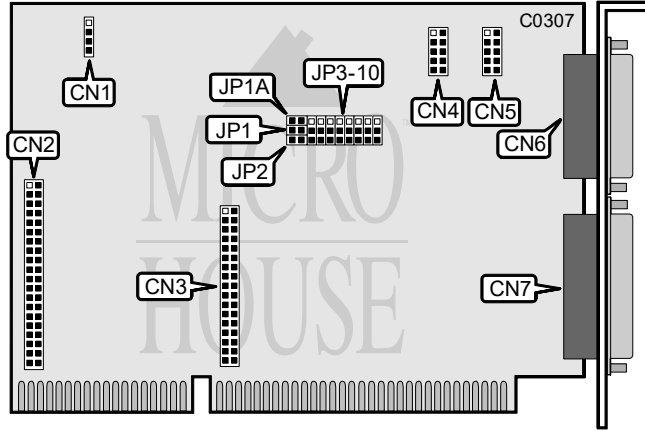


# MICRO EQUIPMENT CORPORATION

## UN-1051

Q1/93

Data bus: 16-bit, ISA  
 Size: Half-length, full-height card  
 Hard drives supported: Two IDE (AT) Interface drives  
 Floppy drives supported: Two 360KB, 720KB, 1.2MB, or 1.44MB drives



CONNECTIONS	
Function	Location
4-pin connector-drive active LED	CN1
40-pin IDE (AT) Interface connector-internal	CN2
34-pin data cable connector-floppy drive	CN3
10-pin serial port 2 connector-internal	CN4
10-pin serial port 1 connector-internal	CN5
DB-15 game port-external	CN6
DB-25 parallel port connector-external	CN7

Continued on next page . . .

**MICRO EQUIPMENT CORPORATION**  
**UN-1051**

... continued from previous page

USER CONFIGURABLE SETTINGS		
Function	Location	Setting
í Hard drive enabled	JP1 and JP1A	closed
Hard drive disabled	JP1 and JP1A	open
í Game Port enabled	JP2	open
Game Port disabled	JP2	closed
í Floppy drive enabled	JP3	pins 1 & 2 closed
Floppy drive disabled	JP3	pins 2 & 3 closed
í Hardware configuration setting	JP4	pins 2 & 3 closed
Software configuration setting	JP4	pins 1 & 2 closed
í Factory configured - do not alter	JP10	pins 1 & 2 closed

PARALLEL PORT CONFIGURATION		
LPT	JP5	JP6
í LPT1 (378) on IRQ7	pins 1 & 2 closed	pins 1 & 2 closed
LPT0 (3BC) on IRQ7	pins 1 & 2 closed	pins 2 & 3 closed
LPT2 (278) on IRQ5	pins 2 & 3 closed	pins 1 & 2 closed
Disabled	pins 2 & 3 closed	pins 2 & 3 closed

SERIAL PORT CONFIGURATION				
CN4	CN5	JP7	JP8	JP9
í COM1 on IRQ4	COM2 on IRQ3	pins 1 & 2	pins 1 & 2	pins 1 & 2
COM2 on IRQ3	COM1 on IRQ4	pins 1 & 2	pins 1 & 2	pins 2 & 3
COM1 on IRQ4	Disabled	pins 1 & 2	pins 2 & 3	pins 1 & 2
COM2 on IRQ3	Disabled	pins 1 & 2	pins 2 & 3	pins 2 & 3
Disabled	COM1 on IRQ4	pins 2 & 3	pins 1 & 2	pins 2 & 3
Disabled	COM2 on IRQ3	pins 2 & 3	pins 1 & 2	pins 1 & 2
Disabled	Disabled	pins 2 & 3	pins 2 & 3	pins 2 & 3