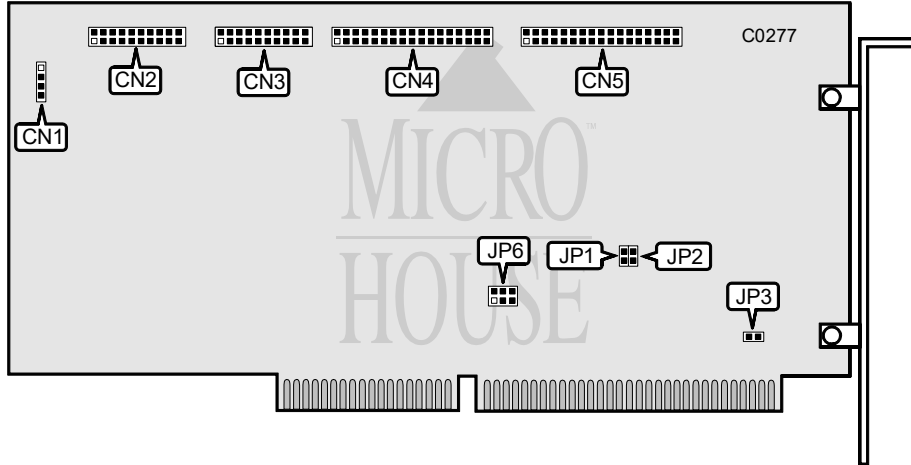


LONGSHINE MICROSYSTEM, INC.
LCS-6622/W

Q1/93

Data bus: 16-bit, ISA
 Size: Full-length, half-height card
 Hard drives supported: Two ST506/412 MFM drives
 Floppy drives supported: Two 360KB, 720KB, 1.2MB, or 1.44MB drives



CONNECTIONS	
Function	Location
4-pin connector-drive active LED	CN1
20-pin data cable connector-drive 1	CN2
20-pin data cable connector-drive 0	CN3
34-pin control cable connector-hard drives	CN4
34-pin data cable connector-floppy drives	CN5

Continued on next page . . .

LONGSHINE MICROSYSTEM, INC.
LCS-6622/W

. . . continued from previous page

USER CONFIGURABLE SETTINGS		
Function	Location	Setting
í Floppy drive port address is 3F0-3F7h	JP1	open
Floppy drive port address is 370-377h	JP1	closed
í Hard drive port address is 1F0-1F7h	JP2	open
Hard drive port address is 170-177h	JP2	closed
í LCS-6622/W not grounded to host	JP3	open
LCS-6622/W grounded to host	JP3	closed
í LED is always lit (Latch mode)	JP6/jumper 1	open
LED lit only when drive is selected (Non-latch mode)	JP6/jumper 1	closed
í Four Byte ECC	JP6/jumper 2	open
í Not used	JP6/jumper 2	closed
í Format incompatible with WD1003-WAH	JP6/jumper 3	open
Format compatible with WD1003-WAH	JP6/jumper 3	closed