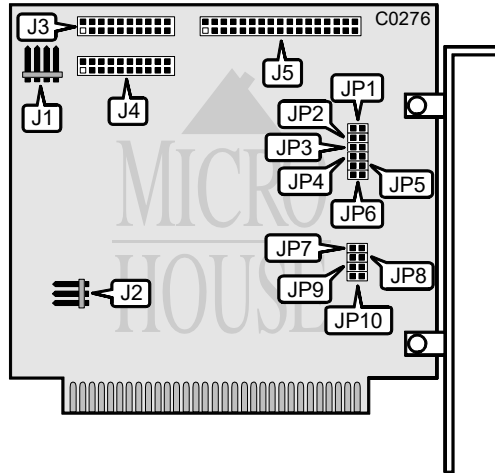


LONGSHINE MICROSYSTEM, INC.
LCS-6210D/W

Q1/93

Data bus: 8-bit, ISA
 Size: Half-length, full-height card
 Hard drives supported: Two ST506/412 MFM drives
 Floppy drives supported: None



CABLE CONNECTIONS	
Function	Location
4-pin connector-drive active LED	J1
5-pin connector-DC power	J2
20-pin data cable connector-drive 0	J3
20-pin data cable connector-drive 1	J4
34-pin control cable connector-hard drives	J5

USER CONFIGURABLE SETTINGS		
Function	Location	Setting
i Factory configured--do not alter	JP7	open
i Factory configured--do not alter	JP8	open
i Interrupt Request is IRQ5	JP9	open
Interrupt Request is IRQ2	JP9	closed

Continued on next page . . .

LONGSHINE MICROSYSTEM, INC.
LCS-6210D/W

. . . continued from previous page

DRIVE SELECT JUMPERS				
Cap. (Hds. x Cyls. x SPT)	JP1 - Drv 0	JP2 - Drv 0	JP3 - Drv 1	JP4 - Drv 1
1 21MB (4x612x17)	closed	closed	closed	closed
10MB (4x306x17)	open	closed	open	closed
10MB (2x615x17)	closed	open	closed	open
21MB (4x615x17)	open	open	open	open

BIOS AND PORT ADDRESS JUMPERS			
Address	Port address	JP5	JP6
1 C8000h	320-323h	open	open
CA000h	324-327h	closed	open

MISCELLANEOUS TECHNICAL NOTES
To allow system to be XT compatible, jumper JP10 must be open.