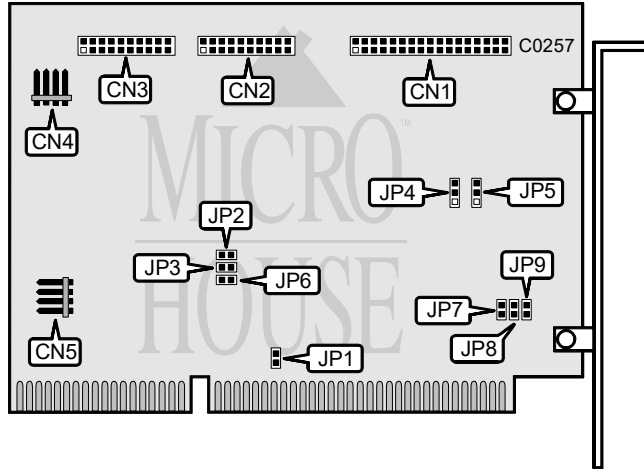


DATA TECHNOLOGY CORPORATION DTC5187CRH

Q1/93

Data bus: 16-bit, ISA
 Size: Half-length, full-height card
 Hard drives supported: Two RLL ST506/412 drives with 17, 32, 60 sector mapping
 Floppy drives supported: None
 Sector interleave: 2:1



CONNECTIONS	
Function	Location
34-pin control cable connector-hard drive	CN1
20-pin data cable connector-drive 0	CN2
20-pin data cable connector-drive 1	CN3
4-pin connector-drive active LED	CN4
5-pin connector-DC power	CN5

Continued on next page . . .

**DATA TECHNOLOGY CORPORATION
DTC5187CRH**

. . . continued from previous page

USER CONFIGURABLE SETTINGS		
Function	Location	Setting
í Floppy Drive Changed Signal not driven	JP1	open
Floppy Drive Changed Signal driven low	JP1	closed
í Hard drive port address 1F0-1F7 and 3F6-3F7h	JP2 and JP3	open
Hard drive port address 170-177 and 376-377h	JP2 and JP3	closed
í Drive Select "flip-flop" controlled by firmware	JP5	pins 2 & 3 closed
Drive Select "flip-flop" controlled by system reset	JP5	pins 1 & 2 closed
í Initial interrupt enabled after reset	JP4	pins 2 & 3 closed
Initial interrupt disabled after reset	JP4	pins 1 & 2 closed
í Normal operation mode	JP6	closed
Internal use mode	JP6	open
í Normal operation mode	JP7	closed
Internal use mode	JP7	open
í BIOS enabled	JP8	closed
BIOS disabled	JP8	open
í BIOS address is C800h	JP9	open
BIOS address is D800h	JP9	closed