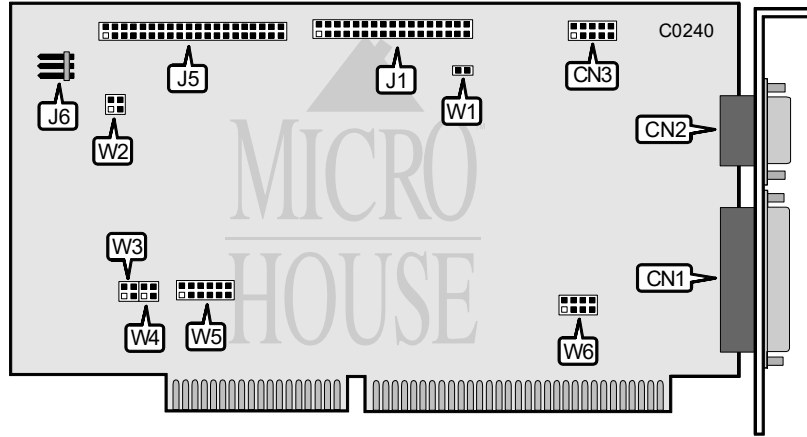


WYSE TECHNOLOGY, INC.  
WY-994

Q3/92

Data bus: 16-bit, PC/AT  
 Size: Half-length, full-height card  
 Hard drives supported: Two IDE Interface (AT) drives  
 Floppy drives supported: Two 360KB, 720KB, 1.2MB, or 1.44MB



CONNECTIONS	
Function	Location
25-pins parallel port (LPT1/2) external	CN1
9-pin serial port 1 (COM1/3)-external	CN2
9-pin serial port 2 (COM2/4) internal	CN3
34-pin data cable connector-floppy drive	J1
40-pin IDE Interface (AT) control cable connector-hard drive	J5
4-pin connector-drive active LED	J6

Continued on next page . . .

**WYSE TECHNOLOGY, INC.**  
**WY-994**

... continued from previous page

USER CONFIGURABLE SETTINGS		
Function	Location	Setting
í Factory configured - do not alter	W1	open
í Factory configured - do not alter	W2	open
í Hard drive enabled	W3	pins 1 & 2 open
Hard drive disabled	W3	pins 1 & 2 closed
í Factory configured - do not alter	W3	pins 3 & 4 open
í Floppy drive interrupt request is IRQ6	W4	pins 1 & 2 open
Floppy drive interrupt request is disabled	W4	pins 1 & 2 closed
í Floppy drive port address is 3F0-3F7h	W4	pins 3 & 4 closed
Floppy drive port address is 370-3F7h	W4	pins 3 & 4 open

PARALLEL PORT CONFIGURATION				
LPT	W5/1 & 2	W5/3 & 4	W6/3 & 4	W6/1 & 2
í LPT1 (378-37Fh) on IRQ7	open	closed	closed	open
LPT2 (278-27Fh) on IRQ5	open	open	open	closed
Disabled	closed	N/A	N/A	N/A

SERIAL PORT CONFIGURATION - W5					
Port 1 (CN2)	Port 2 (CN3)	pins 5 & 6	pins 7 & 8	pins 9 & 10	pins 11 & 12
COM1 3F8-3FFh	COM2 2F8-2FFh	open	closed	open	closed
COM1 3F8-3FFh	COM4 2E8-2EFh	open	open	closed	open
COM3 3E8-3EFh	COM2 2F8-2FFh	closed	open	open	closed
COM3 3E8-3EFh	COM4 2E8-2EFh	closed	open	closed	open
Disabled	Disabled	closed	closed	closed	closed

COM PORTS INTERRUPT REQUEST - W6				
IRQ	pins 5 & 6	pins 7 & 8	pins 5 & 7	pins 6 & 8
í COM1 or COM3 IRQ4	open	closed	open	open
COM1 or COM3 IRQ3	open	open	open	closed
í COM2 or COM4 IRQ3	closed	open	open	open
COM2 or COM4 IRQ4	open	open	closed	open
Disabled	closed	closed	closed	closed