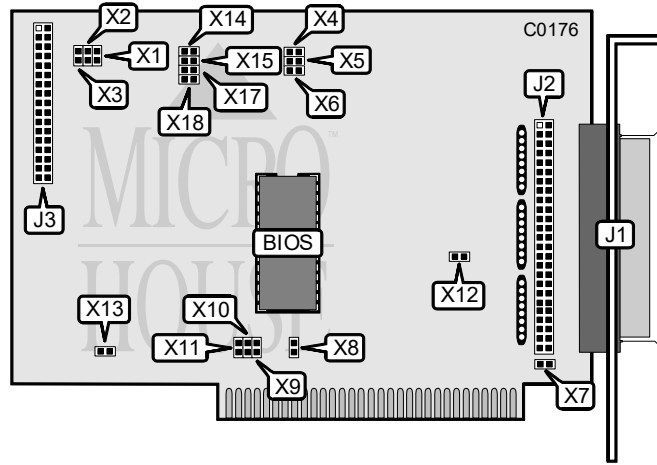


RANCHO TECHNOLOGY, INC.
RT1000A

Data bus: 8-bit, ISA
 Size: Half-length, full-height card
 Hard drives supported: Up to seven SCSI devices
 Floppy drives supported: Two 360KB, 720KB, 1.2MB, or 1.44MB



CONNECTIONS	
Function	Location
50-pin SCSI connector-external	J1
50-pin SCSI connector-internal	J2
34-pin data cable connector-floppy drive	J3

BIOS ADDRESS			
Address	X4	X5	X6
D4000h	closed	closed	open
CC000h	open	closed	open
D0000h	closed	open	open
C8000h	open	open	open
E4000h	closed	closed	closed
DC000h	open	closed	closed
E0000h	closed	open	closed
D8000h	open	open	closed

Continued on next page . . .

RANCHO TECHNOLOGY, INC.
RT1000A

. . . continued from previous page

USER CONFIGURABLE SETTINGS		
Function	Location	Setting
í Floppy drive write precompensation is 187ns	X1	open
Floppy drive write precompensation is 125ns	X1	closed
í Single-speed floppy drive supported	X2	open
Dual speed floppy drive supported	X2	closed
í Floppy drive port address is 377h	X3	open
Floppy drive port address is 3F7h	X3	closed
í Remote terminal power not supported	X7	open
Supports remote terminal power	X7	closed
í Zero wait state enabled	X12	closed
Zero wait state disabled	X12	open
í Floppy drive enabled	X13	closed
Floppy drive disabled	X13	open
í Non applicable to this card. For MCA card only	X14	open
í Supports drives other than Syquest	X15	open
Supports Syquest and some removable media drives	X15	closed
í SCSI DOS hard drive boot enabled.	X16	open
SCSI DOS hard drive boot disabled.	X16	closed
í Factory configured - do not alter	X17	open
í Bus reset delay is 30 seconds	X18	closed
Bus reset delay is 5 seconds	X18	open

INTERRUPT REQUEST				
IRQ	X8	X9	X10	X11
IRQ7	closed	open	open	open
IRQ5	open	closed	open	open
IRQ4	open	open	closed	open
IRQ3	open	open	open	closed