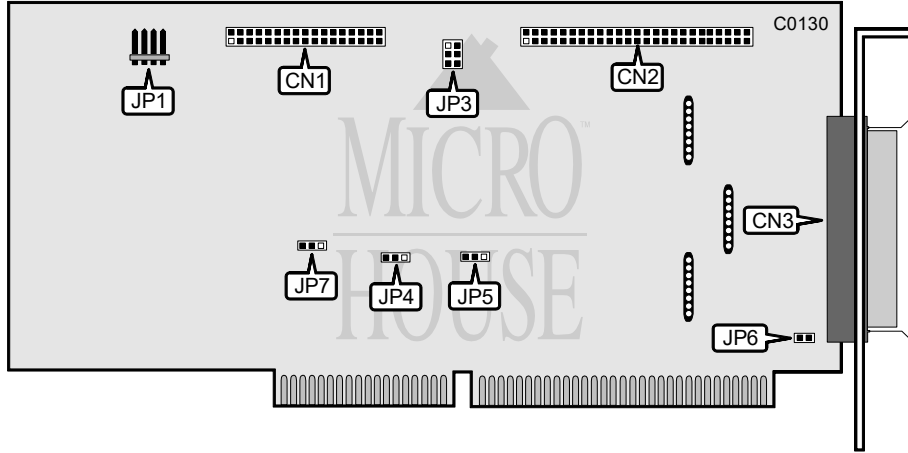


LONGSHINE MICROSYSTEM, INC.
LCS-6631, LCS-6631(F)

Data bus: 16-bit, ISA
 Size: Full-length, full-height card
 Hard drives supported: Up to six SCSI devices
 Floppy drives supported: Two 360KB, 720KB, 1.2MB, or 1.44MB



| CONNECTIONS | |
|--|----------|
| Function | Location |
| 34-pin data cable connector-floppy drive | CN1 |
| 50-pin SCSI connector-internal | CN2 |
| DB-25 SCSI connector-external | CN3 |
| 4-pin connector-drive active LED | JP1 |

Continued on next page . . .

LONGSHINE MICROSYSTEM, INC.
LCS-6631, LCS-6631(F)

. . . continued from previous page

| USER CONFIGURABLE SETTINGS | | |
|---|----------|-------------------|
| Function | Location | Setting |
| í Hard drive port address is 1F0-1F7h | JP4 | pins 1 & 2 closed |
| Hard drive port address is 170-177h | JP4 | pins 2 & 3 closed |
| í Floppy drive port address is 3F0-3F7h | JP5 | pins 1 & 2 closed |
| Floppy drive port address is 370-377h | JP5 | pins 2 & 3 closed |
| í LCS-6631 not grounded to chassis | JP6 | open |
| LCS-6631 grounded to chassis | JP6 | closed |
| í Set for use with 53C80 chip | JP7 | pins 1 & 2 closed |
| Set for use with 5380 chip | JP7 | pins 2 & 3 closed |

| BIOS ADDRESS | | | |
|--------------|--------------|--------------|--------------|
| Address | JP3/jumper 1 | JP3/jumper 2 | JP3/jumper 3 |
| D000h | closed | open | open |
| D400h | open | closed | open |
| D800h | open | open | closed |