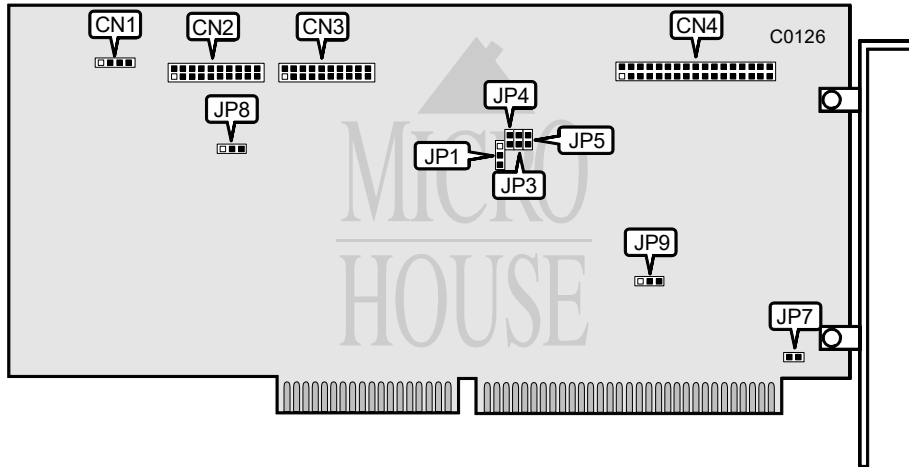


LONGSHINE MICROSYSTEM, INC.
LCS-6610HX Rev. 2

Q4/92

Data bus: 16-bit, ISA
 Size: Half-length, full-height card
 Hard drives supported: Two MFM ST506/412 drives
 Floppy drives supported: None
 Max. Heads and Cyls.: 16 Heads and 1024 Cyls.



CONNECTIONS	
Function	Location
4-pin connector-drive active LED	CN1
20-pin data cable connector-drive 0	CN2
20-pin data cable connector-drive 1	CN3
34-pin control cable connector-hard drive	CN4

USER CONFIGURABLE SETTINGS		
Function	Location	Setting
Hard drive port address is 1F0-1F7h	JP4	open
Hard drive port address is 170-177h	JP4	closed
BIOS other than DTK on host	JP5	closed
DTK BIOS on host	JP5	open
LCS-6610HX is not grounded to host	JP7	open
LCS-6610HX is grounded to host	JP7	closed
Note: Jumper JP1, JP3, and JP8 are reserved and must be left "open." JP9 is reserved and must be left pins 1 & 2 "closed." This controller contains no on-board software.		

