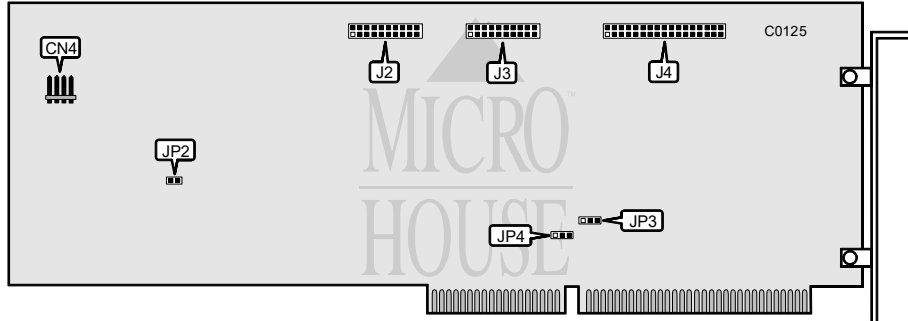


LONGSHINE MICROSYSTEM, INC.
LCS-6610HX

Q1/93

Data bus: 16-bit, ISA
 Size: Full-length, half-height card
 Hard drives supported: Two MFM ST506/ST412 drives
 Floppy drives supported: None



CONNECTIONS	
Function	Location
4-pin connector-drive outback active LED	CN4
20-pin data cable connector-drive 0	J2
20-pin data cable connector-drive 1	J3
34-pin control cable connector-hard drive	J4

USER CONFIGURABLE SETTINGS		
Function	Location	Setting
Other than DTK BIOS in host system	JP2	closed
DTK BIOS in host system	JP2	open
Hard drive port address is 1F0-1F7h	JP3	pins 1 & 2 closed
Hard drive port address is 170-177h	JP3	pins 2 & 3 closed
Chips & Technology chip set	JP4	pins 1 & 2 closed
Other than Chips & Technology chip set	JP4	pins 2 & 3 closed

