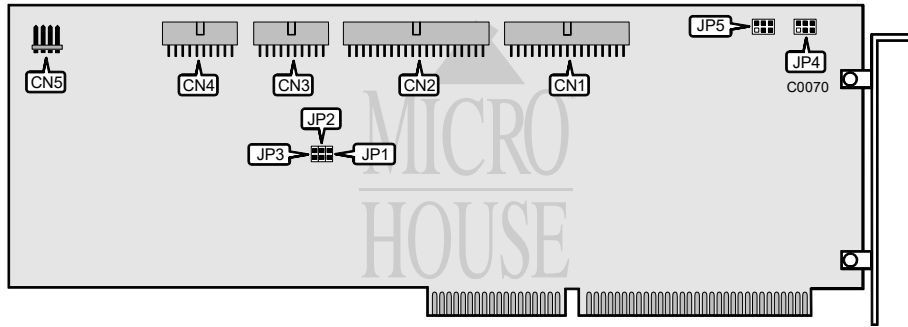


DATA TECHNOLOGY CORPORATION DTC5280DL

Q3/92

Data bus: 16-bit, ISA
 Size: Full-length, full-height card
 Hard drives supported: Two MFM ST506/412 drives
 Floppy drives supported: Two 360KB, 720KB, 1.2MB, or 1.44MB
 Sector Interleave: 2:1



CONNECTIONS	
Function	Location
34-pin control cable connector-floppy drive	J1
34-pin data cable connector-hard drive	J2
20-pin data cable connector-drive 0	J3
20-pin data cable connector-drive 1	J4
4-pin connector-drive active LED	J5

Continued on next page . . .

**DATA TECHNOLOGY CORPORATION
DTC5280DL**

. . . continued from previous page

USER CONFIGURABLE SETTINGS		
Function	Location	Setting
í Factory configured - do not alter	JP1	open
í Port addresses are 1F0-1F7 and 3F2-3F7h	JP2	open
Port addresses are 170-177 and 372-377h	JP2	closed
í Factory configured - do not alter	JP3	open
í Floppy drive precompensation is scaled by data rate: 500khz=125ns, 300KHz=208ns, 50KHz=250ns	JP4	pins 1 & 2 open
Floppy drive precompensation is 125ns	JP4	pins 1 & 2 closed
í Drive 0 is a single speed floppy drive	JP4	pins 3 & 4 closed
Drive 0 is a dual speed floppy drive	JP4	pins 3 & 4 open
í Drive 1 is a single speed floppy drive	JP4	pins 5 & 6 closed
Drive 1 is a dual speed floppy drive	JP4	pins 5 & 6 open

FLOPPY DRIVE CONFIGURATION		
Function	Location	Setting
í Floppy drive 0 uses standard logic (for use with AT-type drives on DS 1,2,3, or 4)	JP5	pins 4 & 6 closed
Floppy drive 0 uses reverse logic (for use with PS/2 type drives on DS 2 only)	JP5	pins 2 & 4 closed
í Floppy drive 1 uses standard logic (for use with AT-type drives on DS 1,2,3, or 4)	JP5	pins 3 & 5 closed
Floppy drive 1 uses reverse logic (for use with PS/2 type drives on DS 2 only)	JP5	pins 1 & 3 closed