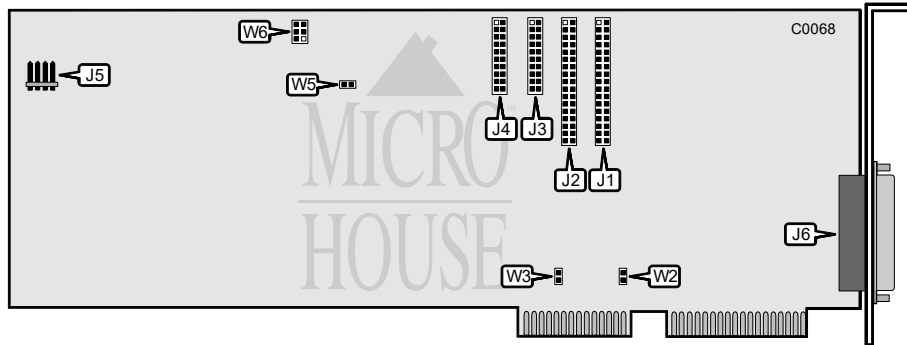


# DATA TECHNOLOGY CORPORATION

## DTC5280CA-I, DTC5280CZ-I

Q1/94

Data bus: 16-bit, ISA  
 Size: Full-length, full-height card  
 Hard drives supported: Two MFM ST506/412 drives  
 Floppy drives supported: Two 360KB, 720KB, 1.2MB, or 1.44MB  
 Sector interleave: DTC5280CA-I: 2:1  
 DTC5280CZ-I: 2:1



CONNECTIONS	
Function	Location
34-pin data cable connector-floppy drive	J1
34-pin control cable connector-hard drive	J2
20-pin data cable connector-drive 0	J3
20-pin data cable connector-drive 1	J4
4-pin connector-drive active LED	J5
37-pin floppy drive interface connector-floppy drive (5280CZ-I only)	J6

HARD DRIVE PORT ADDRESS		
Address	W2	W3
Port addresses are 1F0-1F7 3F2-3F7h	open	open
Port addresses are 170-177 372-377h	closed	closed

MISCELLANEOUS TECHNICAL NOTES
Jumper W5 and W6 are Factory configured - do not alter. This controller has no onboard user accessible programs.