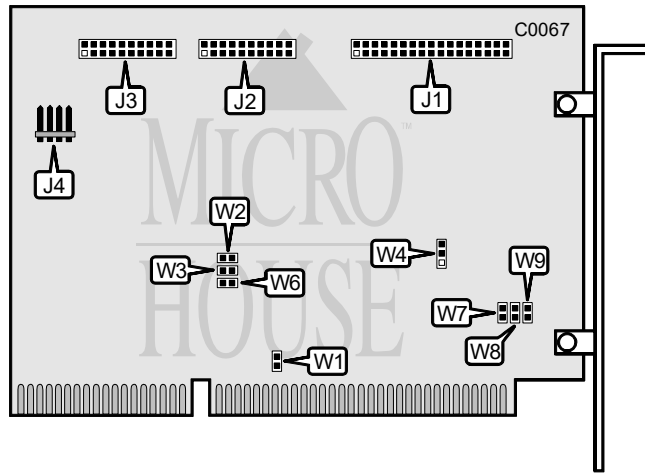


DATA TECHNOLOGY CORPORATION DTC5187I, DTC7187

Q2/92

Data bus: 16-bit, ISA
 Size: Half-length, full-height card
 Hard drives supported: Two RLL 2,7 ST506/412 drives with 17, 32, 60 sector mapping
 Floppy drives supported: None
 Sector interleave: DTC5187i: 2:1
 DTC7187i: 1:1



CONNECTIONS	
Function	Location
34-pin control cable connector-hard drive	J1
20-pin data cable connector-drive 0	J2
20-pin data cable connector-drive 1	J3
4-pin connector-drive active LED	J4

Continued on next page . . .

DATA TECHNOLOGY CORPORATION
DTC5187i, DTC7187

. . . continued from previous page

USER CONFIGURABLE SETTINGS		
Function	Location	Setting
í Floppy Drive Changed Signal not driven	W1	open
Floppy Drive Changed Signal driven low	W1	closed
í Initial interrupt enabled after reset	W4	pins 2 & 3 closed
Initial interrupt disabled after reset	W4	pins 1 & 2 closed
í Auto-deselect enabled	W6	closed
Auto-deselect disabled	W6	open
í Normal operation mode	W7	closed
Internal use mode	W7	open
í BIOS enabled	W8	closed
BIOS disabled	W8	open
í BIOS address is C800:0000 to C800:3FFFh	W9	open
BIOS address is D800:0000 to D800:3FFFh	W9	closed

HARD DRIVE PORT ADDRESS		
Address	W2	W3
í Port addresses are 1F0-1F7 3F6-3F7h	open	open
Port addresses are 170-177 376-377h	closed	closed