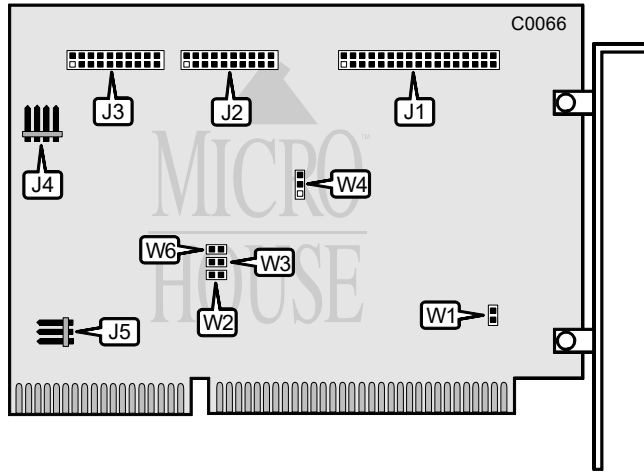


DATA TECHNOLOGY CORPORATION DTC5180I, DTC7180

Q2/92

Data bus: 16-bit, ISA
 Size: Half-length, full-height card
 Hard drives supported: Two MFM ST506/412 drives
 Floppy drives supported: None
 Sector Interleave: DTC5180i: 2:1
 DTC7180: 1:1



CONNECTIONS	
Function	Location
34-pin control cable connector-hard drive	J1
20-pin data cable connector-drive 0	J2
20-pin data cable connector-drive 1	J3
4-pin connector-drive active LED	J4
5-pin connector-DC power (5180i only)	J5

Continued on next page . . .

DATA TECHNOLOGY CORPORATION
DTC5180i, DTC7180

. . . continued from previous page

USER CONFIGURABLE SETTINGS		
Function	Location	Setting
í Floppy Drive Changed Signal not driven	W1	open
Floppy Drive Changed Signal driven low when accessed	W1	closed
í Initial interrupt enabled after reset	W4	pins 2 & 3 closed
Initial interrupt disabled after reset	W4	pins 1 & 2 closed
í Auto-deselect enabled, drive is only selected when in operation	W6	closed
Auto-deselect disabled, drive is selected from power-on until another drive is selected	W6	open

PORT ADDRESS		
Address	W2	W3
í Port addresses are 1F0-1F7 3F6-3F7h	open	open
Port addresses are 170-177 376-377h	closed	closed