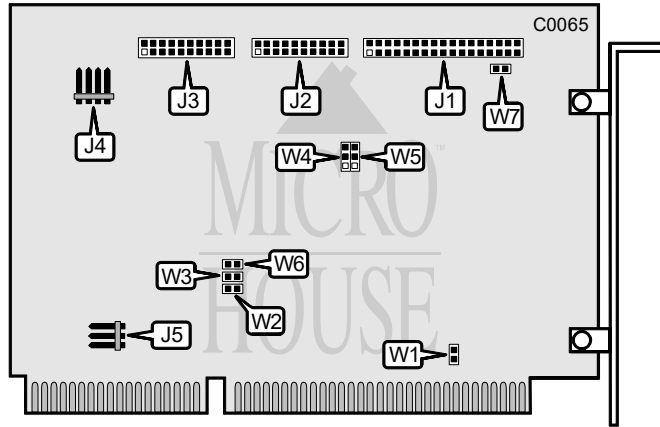


DATA TECHNOLOGY CORPORATION DTC5180CRH

Q4/92

Data bus: 16-bit, ISA
 Size: Half-length, full-height card
 Hard drives supported: Two MFM ST506/412 drives
 Floppy drives supported: None
 Sector interleave: 2:1



CONNECTIONS	
Function	Location
34-pin control cable connector-hard drive	J1
20-pin data cable connector-drive 0	J2
20-pin data cable connector-drive 1	J3
4-pin connector-drive active LED	J4
5-pin connector-DC power	J5

Continued on next page . . .

**DATA TECHNOLOGY CORPORATION
DTC5180CRH**

. . . continued from previous page

USER CONFIGURABLE SETTINGS		
Function	Location	Setting
í Floppy change signal not driven	W1	open
Floppy signal driven low (XT system default)	W1	closed
í Interrupt remains enabled after reset	W4	pins 2 & 3 closed
Interrupt disabled after reset	W4	pins 1 & 2 closed
í Drive select "flip-flop" controlled by firmware	W5	pins 1 & 2 closed
Drive select "flip-flop" controlled by system reset	W5	pins 2 & 3 closed
í Factory configured - do not alter	W6	closed
í Auto deselect enabled	W7	closed
Auto deselect disabled	W7	open

HARD DRIVE PORT ADDRESS		
Address	W2	W3
í Port addresses are 1F0-1F7 3F2-3F7h	open	open
Port addresses are 170-177 372-377h	closed	closed

MISCELLANEOUS TECHNICAL NOTES
This controller has no on-board software