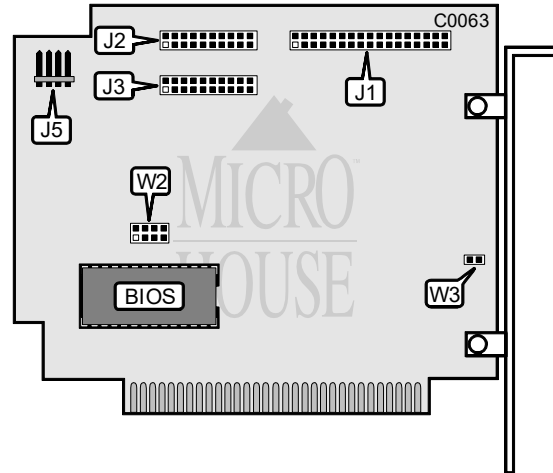


## DATA TECHNOLOGY CORPORATION DTC5150X, DTC5160X

Data bus: 8-bit, ISA.  
 Size: Half-length, full-height card.  
 Hard drives supported: DTC5150X: Two MFM ST506/412 drives  
 DTC5160X: Two RLL ST506/412 drives  
 Floppy drives supported: None



CONNECTIONS	
Function	Location
34-pin control cable connector-hard drive	J1
20-pin data cable connector-drive 0	J2
20-pin data cable connector-drive 1	J3
4-pin connector-drive active LED	J5

USER CONFIGURABLE SETTINGS		
Function	Location	Setting
i 615 cylinders, 4 heads	W3 (5150x only)	closed
BIOS drive type selected at low-level (see table below)	W3 (5150x only)	open
i Factory configured - do not alter	W2/jumper 4	open

Continued on next page . . .

**DATA TECHNOLOGY CORPORATION**  
**DTC5150X, DTC5160X**

... continued from previous page

BIOS ADDRESS			
Address	W2/jumper 1	W2/jumper 2	W2/jumper 3
disabled	open	-	-
C8000	closed	closed	closed
CA000	closed	closed	open
D8000	closed	open	closed
F4000	closed	open	open

DRIVE TYPES FOR THE "CXD" BIOS for use with the 51 0x only		DRIVE TYPE FOR THE "CRD" BIOS for use with the 51 0x only	
	Hds./Cyls./WPC		/Hds./Cyls./WPC
0	4 / 615 / 256		4 / 615 / none
1	5 / 733 / 300		4 / 820 / none
2	4 / 615 / 128		6 / 615 / none
3	4 / 306 / none		4 / 615 / 128
4	5 / 987 / none		6 / 820 / none
5	7 / 987 / none		8 / 1024 / none
6	4 / 615 / none		9 / 1024 / none
7	6 / 615 / none		15 / 1024 / none
8	5 / 977 / none		4 / 612 / none
9	6 / 820 / none		4 / 615 / 410
10	4 / 612 / none		6 / 615 / none
11	5 / 1024 / none		5 / 989 / none
12	8 / 1024 / none		Not available
13	9 / 1024 / none		Not available
14	15 / 918 / none		Not available
15	Special Setting		Not available

REVISION HISTORY					
DTC5150x			DTC5160x		
Rev.	Date	Description	Rev.	Date	Description
A	06-30-88	Initial release	A	06-17-88	Initial release
B	08-08-88	AT LED connector	B	08-08-88	AT LED connector
C	10-05-88	BIOS address jumpers	C	10-05-88	BIOS address jumpers
D	01-16-89	CXD23A BIOS	D	01-10-89	CXD23A BIOS

MISCELLANEOUS TECHNICAL NOTES
This controller has a built-in, low-level format program. To enter the program run the DEBUG utility supplied with DOS and at the prompt enter: G=C800:5.