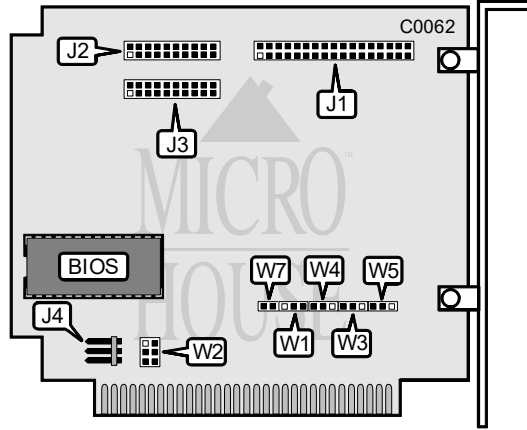


DATA TECHNOLOGY CORPORATION

DTC5150CR, DTC5150CRH, DTC5160CR, DTC5160CRH

Data bus: 8 bit ISA
 Size: Half-length, full-height card.
 Hard drives supported: Two MFM ST506/412 drives
 DTC5160CR: Two RLL ST506/412 drives
 Floppy drives supported: None



CONNECTIONS	
Function	Location
34-pin control cable connector-hard drive	J1
20-pin data cable connector-drive 0	J2
20-pin data cable connector-drive 1	J3
5-pin connector-DC power	J4

BIOS ADDRESS			
Address	W2/jumper 1	W2/jumper 2	W2/jumper 3
í C800h	open	open	closed
D000h	closed	open	closed
D800h	open	closed	closed
F400h	closed	closed	closed
Disabled	open	open	open

Continued on next page . . .

DATA TECHNOLOGY CORPORATION
DTC5150CR, DTC5150CRH, DTC5160CR, DTC5160CRH

... continued from previous page

USER CONFIGURABLE SETTINGS		
Function	Location	Setting
í BIOS size set for 8K	W1	pins 1 & 2 closed
BIOS size set for 16K	W1	pins 2 & 3 closed
í DACK3	W3	pins 2 & 3 closed
DACK1	W3	pins 1 & 2 closed
í DREQ3	W4	pins 1 & 2 closed
DREQ1	W4	pins 2 & 3 closed
í Hard drive Interrupt is IRQ5	W5	pins 2 & 3 closed
Hard drive Interrupt is IRQ2	W5	pins 1 & 2 closed
í I/O Port address is 320h-323h	W7	closed
I/O Port address is 324h-327h	W7	open

DRIVE TYPES FOR THE BXD06" BIOS		DRIVE TYPE FOR THE 3XD07" BIOS	
	Form Cap./Hds./Cyls./WPC		Form Cap./Hds./Cyls./WPC
0	35MB / 8 / 512 / none		20MB / 4 / 612 / none
1	10MB / 2 / 615 / none		32MB / 5 / 733 / none
2	20MB / 4 / 612 / 128		20MB / 4 / 612 / 128
3	10MB / 4 / 306 / none		10MB / 4 / 306 / none
4	5MB / 2 / 306 / none		43MB / 5 / 987 / none
5	26MB / 8 / 375 / none		60MB / 7 / 987 / none
6	20MB / 8 / 306 / none		20MB / 8 / 306 / none
7	Reserved for non-standard		Reserved for non-standard
8	15MB / 6 / 306 / none		42MB / 5 / 977 / none
9	27MB / 6 / 512 / none		42MB / 6 / 820 / none
A	10MB / 2 / 612 / none		10MB / 2 / 612 / none
B	22MB / 4 / 640 / none		62MB / 7 / 1024 / none
C	18MB / 3 / 697 / none		71MB / 8 / 1024 / none
D	30MB / 5 / 697 / none		80MB / 9 / 1024 / none
E	33MB / 6 / 640 / none		33MB / 6 / 640 / none
F	Special Setting		Special Setting

Note: Drive types "9" through "F" are only available with the 16K BIOS.