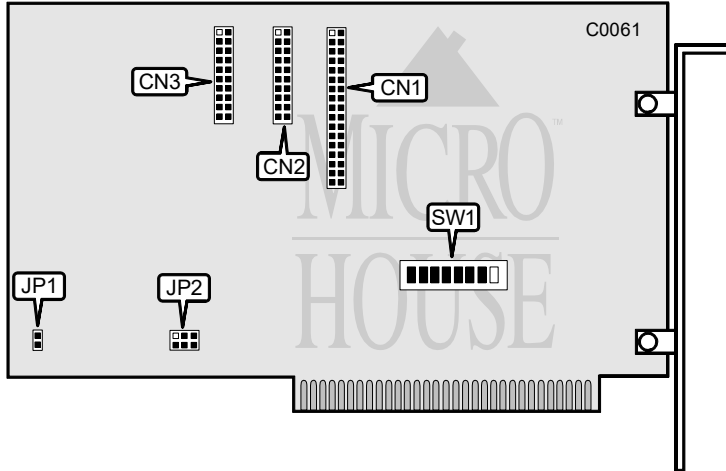


DATA TECHNOLOGY CORPORATION

DTC5150CI, DTC5150CX

Data bus: 8 bit, ISA
 Size: Three-quarter length, full-height card.
 Hard drives supported: Two MFM ST506/412 drives
 Floppy drives supported: None



The DTC5150CX

CONNECTIONS	
Function	Location
34-pin control cable connector-hard drive	CN1
20-pin data cable connector-drive 0	CN2
20-pin data cable connector-drive 1	CN3

BIOS ADDRESS			
Address	JP2/jumper 1	JP2/jumper 2	JP2/jumper 3
BIOS Disabled	open	open	open
C800h	closed	open	open
D000h	closed	open	closed
D800h	closed	closed	open
F400h	closed	closed	closed

MISCELLANEOUS TECHNICAL NOTES
The locations of JP2 and SW1 are slightly different on the DTC5150CI, and JP1, is a factory test jumper, and should Not be altered

Continued on next page . . .

DATA TECHNOLOGY CORPORATION
DTC5150CI, DTC5150CX

... continued from previous page

DRIVE TYPE SWITCH SETTINGS FOR THE "BXD06" BIOS					
	Form Cap./Hds./Cyls./WPC	Switch 1 Switch 3	Switch 2 Switch 4	Switch 5 Switch 7	Switch 6 Switch 8
0	35MB/ 8 / 512 / none	on	on	on	on
1	10MB/ 2 / 615 / none	off	on	on	on
2	20MB/ 4 / 612 / 128	on	off	on	on
3	10MB/ 4 / 306 / none	off	off	on	on
4	5MB/ 2 / 306 / none	on	on	off	on
5	26MB/8 / 375 / none	off	on	off	on
6	20MB/ 8 / 306 / none	on	off	off	on
7	Reserved for non-standard	off	off	off	on
8	15MB/ 6 / 306 / none	on	on	on	off
9	27MB/ 6 / 512 / none	off	on	on	off
A	10MB/ 2 / 612 / none	on	off	on	off
B	22MB/ 4 / 640 / none	off	off	on	off
C	18MB/ 3 / 697 / none	on	on	off	off
D	30MB/ 5 / 697 / none	off	on	off	off
E	33MB/ 6 / 640 / none	on	off	off	off
F	Special Setting	off	off	off	off
Switches S1/1, 2, 5, and 6 set the Drive Type for Drive 2 Switches S1/3, 4, 7, and 8 set the Drive Type for Drive 1					

DRIVE TYPE SWITCH SETTINGS FOR THE "BXD07" BIOS					
	Form Cap./Hds./Cyls./WPC	Switch 1 Switch 3	Switch 2 Switch 4	Switch 5 Switch 7	Switch 6 Switch 8
0	20MB/ 4 / 612 / none	on	on	on	on
1	32MB/ 5 / 733 / none	off	on	on	on
2	20MB/ 4 / 612 / 128	on	off	on	on
3	10MB/ 4 / 306 / none	off	off	on	on
4	43MB/ 5 / 987 / none	on	on	off	on
5	60MB/ 7 / 987 / none	off	on	off	on
6	20MB/ 8 / 306 / none	on	off	off	on
7	Reserved for non-standard	off	off	off	on
8	42MB/ 5 / 977 / none	on	on	on	off
9	42MB/ 6 / 820 / none	off	on	on	off
A	10MB/ 2 / 612 / none	on	off	on	off
B	62MB/ 7 / 1024 /none	off	off	on	off
C	71MB/ 8 / 1024 /none	on	on	off	off
D	80MB/ 9 / 1024 /none	off	on	off	off
E	33MB/ 6 / 640 / none	on	off	off	off
F	Special Setting	off	off	off	off