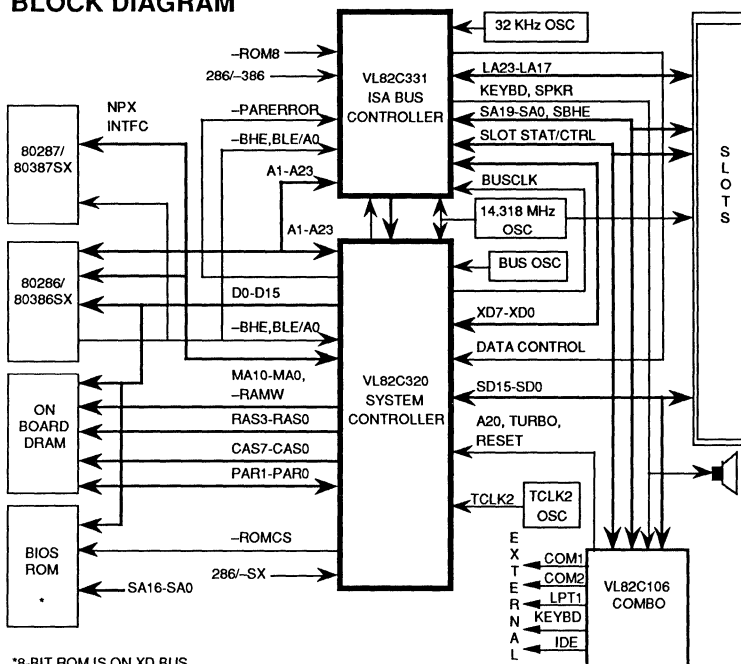


FEATURES

- Two chip PC/AT-compatible chip set capable of use in 286- or 386SX-based systems up to 25 MHz
- Both chips are 160 quad flatpacs, 1.0- and 1.5-micron CMOS
- Memory control of one to four banks of 16 bit DRAM using 256K, 1M, or 4M components allowing 32M bytes on system board
- Page mode DRAM operation on any number of banks
- Two/four-way interleaving or direct access on system board memory
- Programmable option for block or word interleave
- Programmable DRAM timing parameters
- Remap option allows logical reordering of system board DRAM banks
- System board refresh optionally decoupled from slot bus refresh
- Staggered refresh minimizes power supply load variations
- Built-in "sleep" mode features, including use of slow refresh DRAMS in power critical operations
- EMS hardware supports full LIM EMS 4.0* spec over entire 32M byte memory map with backfill to 256K - includes two sets of 36 mapping registers each
- Shadow RAM support in 16K increments over entire 640K to 1M range
- Support for 287 or 387SX numerical coprocessors
- Software coprocessor reset can be disabled
- Internal switching and programmable CLK2 support for slow and "turbo" modes
- Programmable drive on DRAM and slot bus interface signals allows direct drive tailored to system size
- Asynchronous or synchronous slot bus operation with programmable bus clock divider
- Bus "quiet" mode assures that slot bus signal lines are driven only during slot accesses
- Integrated peripheral functions:
Two 82C37A DMA controllers
Two 82C59A interrupt controllers
One 82C54 timer
One 82C018 real time clock
- Supports 8- or 16-bit wide BIOS ROMs
- I/O decode programmable for 10- or 16-bit addresses
- Separate parity generators/checkers for high speed operation
- Designed for systems with up to 12 MHz backplane operation
- Three-state control pins added for board level testability
- Compatible with Lotus 1-2-3® version 3.0 in 1M systems

BLOCK DIAGRAM



*8-BIT ROM IS ON XD BUS

ORDER INFORMATION

VL82C286/386SX Chip Set

Part Number	Package
1 - VL82C320-FC	Plastic Flatpack
1 - VL82C331-FC	Plastic Flatpack

Note: Operating temperature range is 0°C to +70°C.

Lotus 1-2-3® is a registered trademark of IBM Corp.

LIM EMS 4.0® is a registered trademark of Lotus Development Corp., Intel Corp. and Microsoft Corp.