

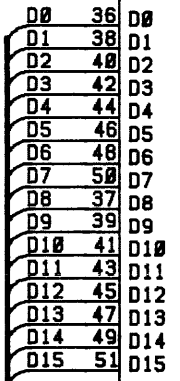
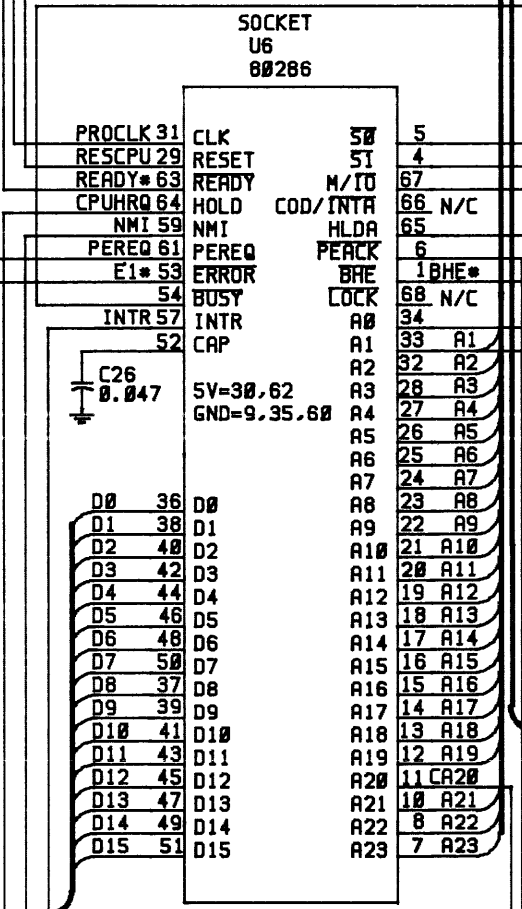
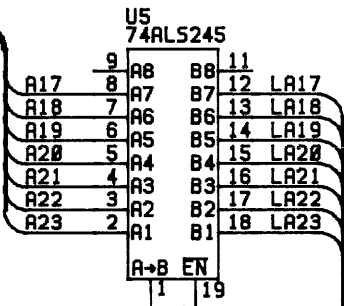
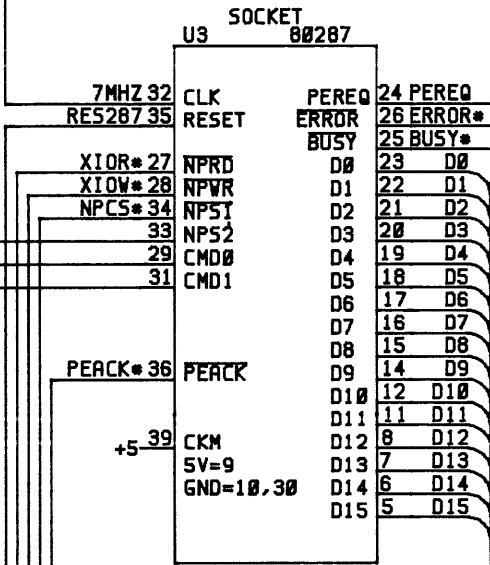


VLSI TECHNOLOGY, INC.

16 MHz PC/AT-COMPATIBLE SCHEMATICS

ADR BUS

XA BUS



MASTER*

PAGE 2

DATA BUS

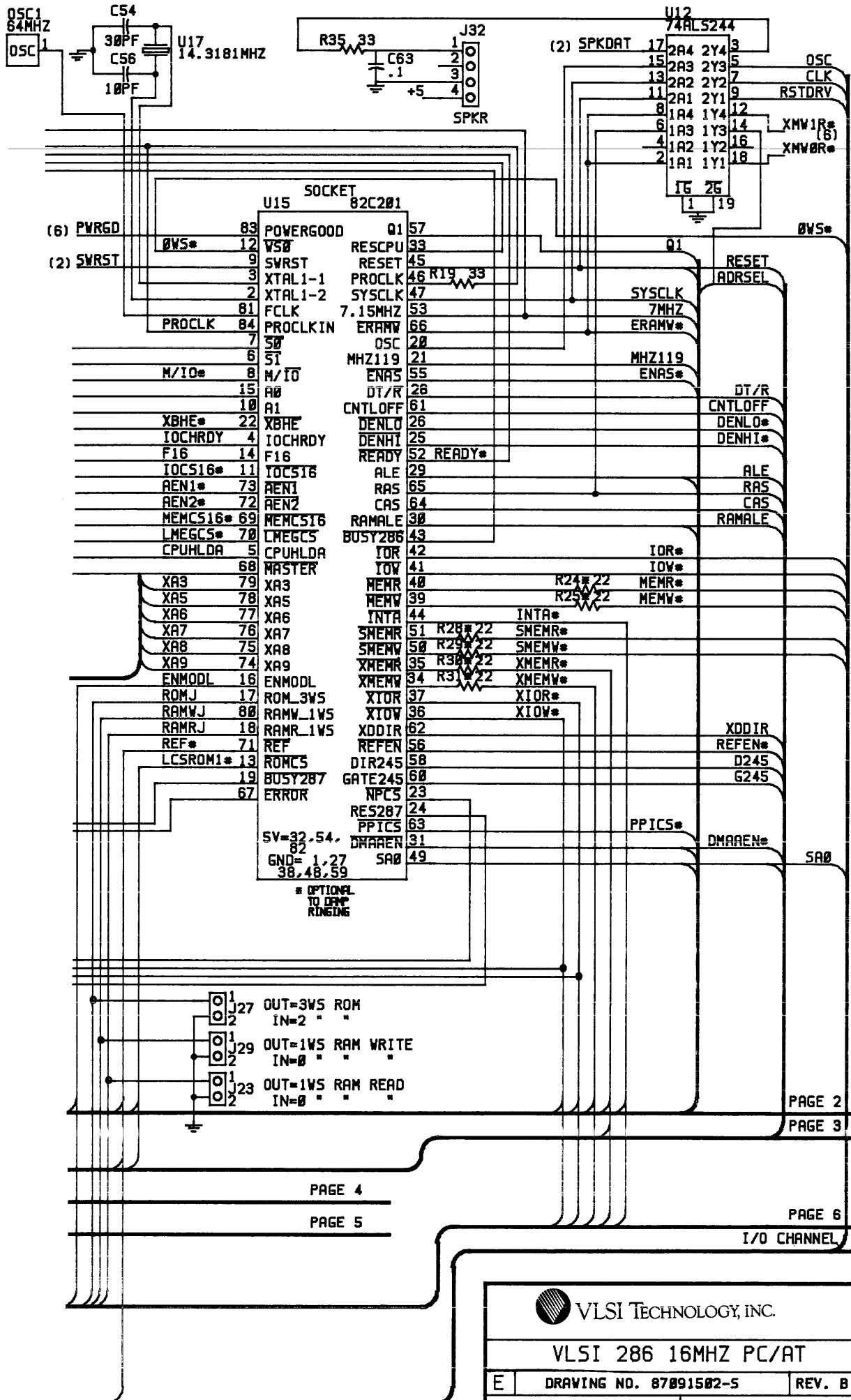
PAGE 3

PAGE 4

PAGE 5

PAGE 6

I/O CHANNEL



VLSI TECHNOLOGY, INC.

VLSI 286 16MHZ PC/AT

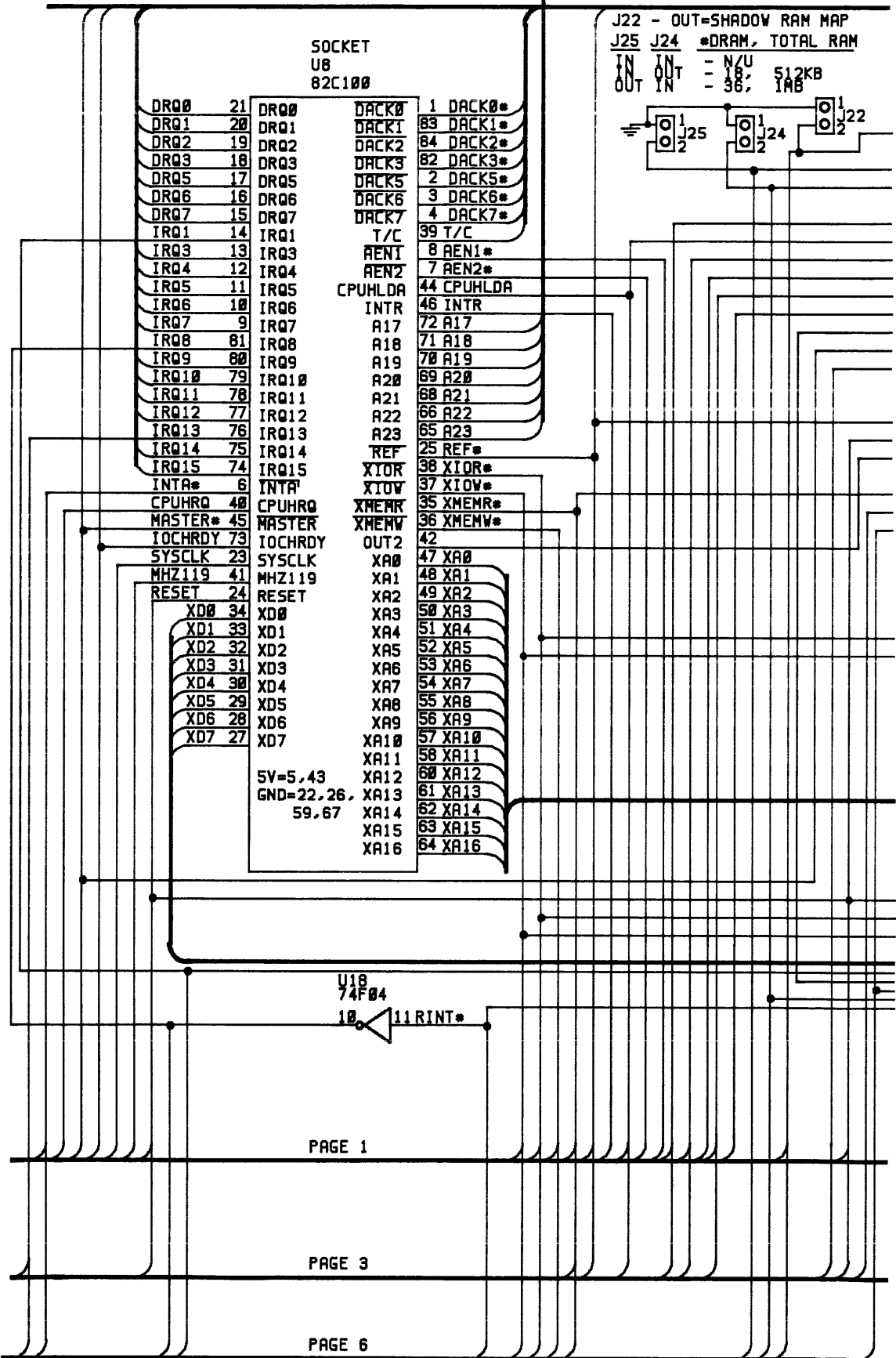
E	DRAWING NO. 87891502-5	REV. B
---	------------------------	--------

XA BUS

XD BUS

ADR BUS

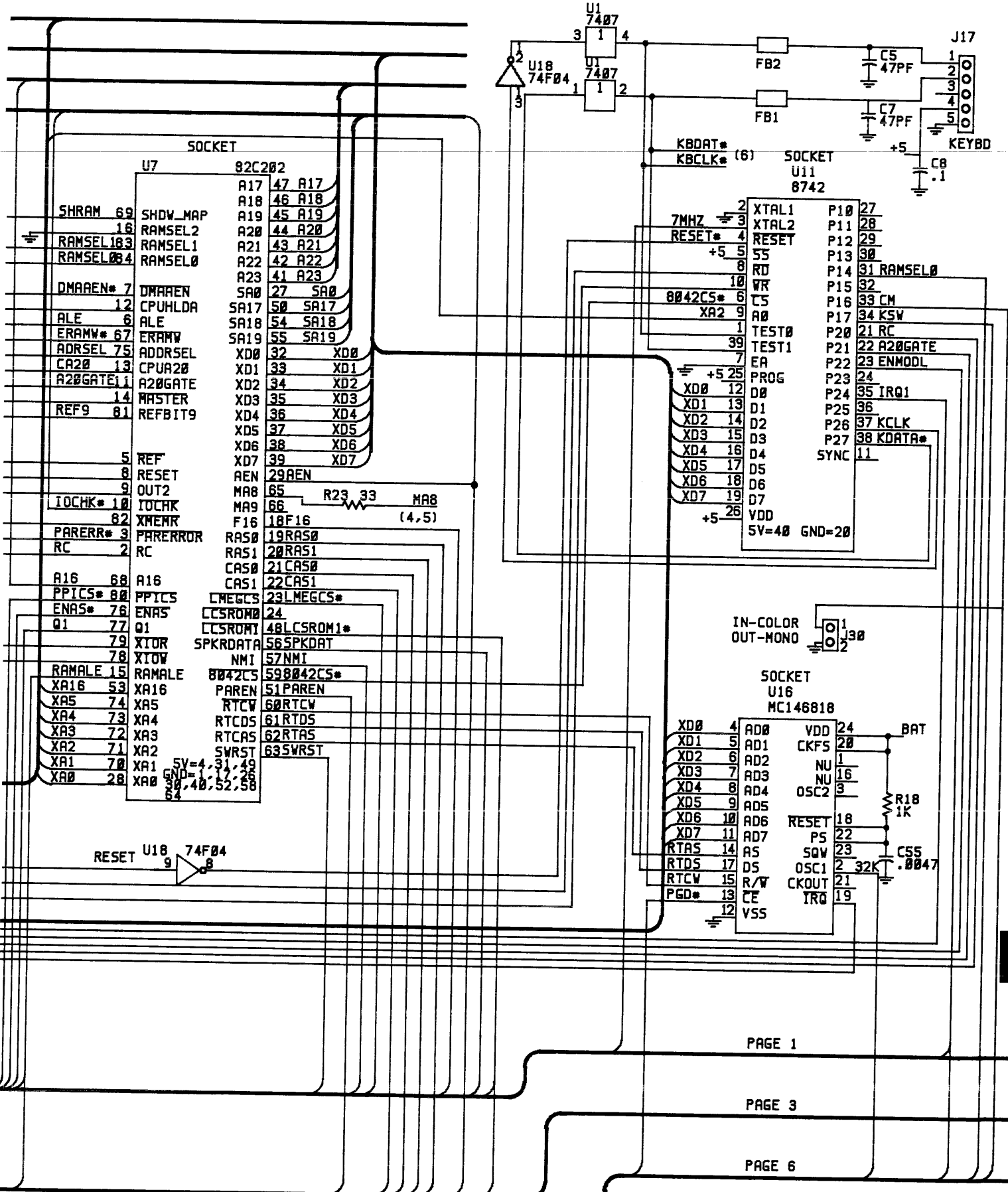
I/O CHANNEL




PAGE 1

PAGE 3

PAGE 6



PAGE 1
PAGE 3
PAGE 6


VLSI TECHNOLOGY, INC.
VLSI 286 16MHZ PC/AT

E	DRAWING NO. 87091502-5	REV. 8
DATE:	1/03/89	SHEET 2 OF 8

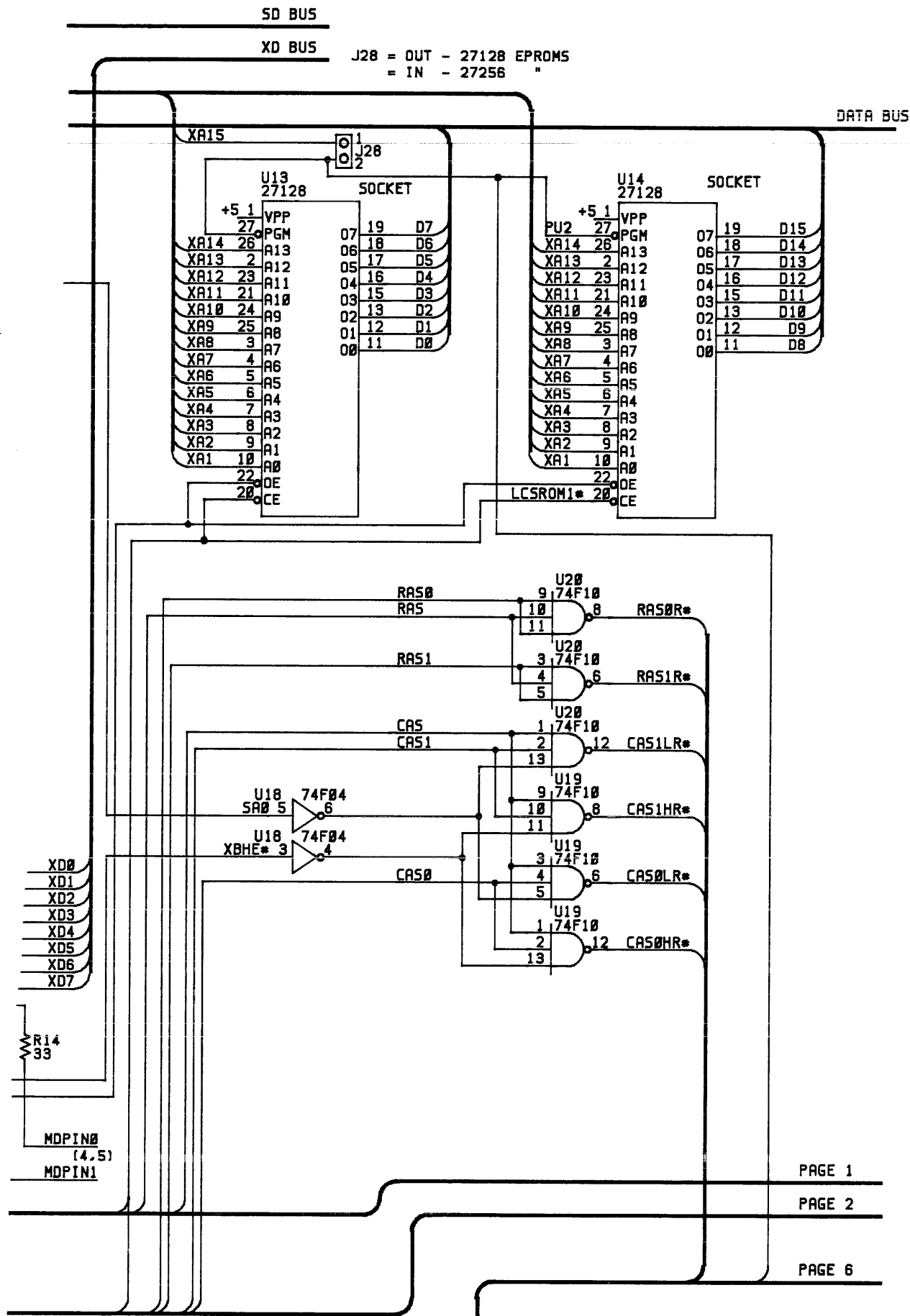
XA BUS

DATA BUS

ADR BUS

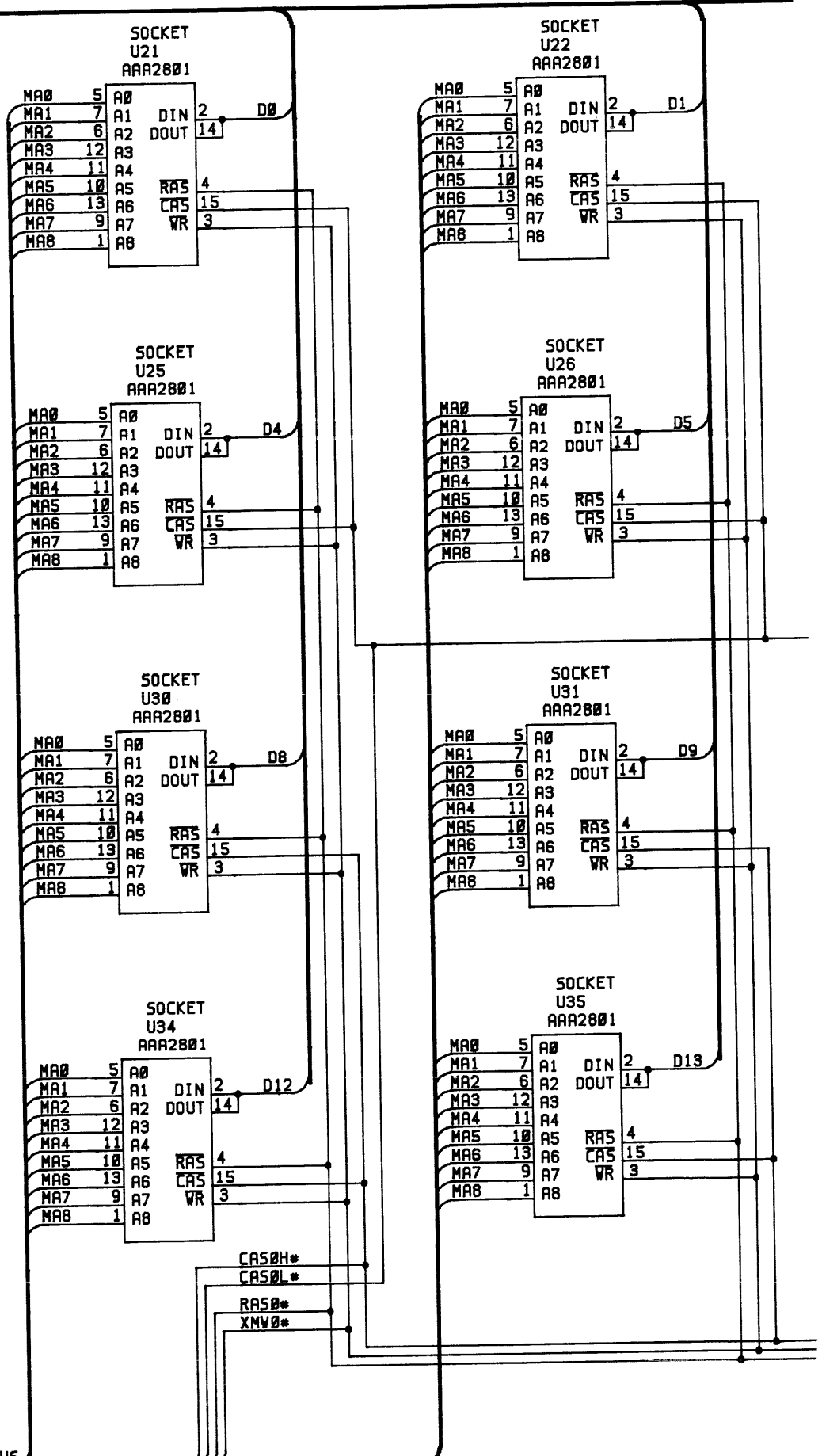
I/O CHANNEL

SOCKET U9		SOCKET 82C203	
A1 20	A1	SA0 59	SA0
A2 19	A2	SA1 52	SA1
A3 18	A3	SA2 51	SA2
A4 17	A4	SA3 50	SA3
A5 16	A5	SA4 48	SA4
A6 15	A6	SA5 47	SA5
A7 14	A7	SA6 46	SA6
A8 13	A8	SA7 45	SA7
A9 9	A9	SA8 43	SA8
A10 8	A10	SA9 42	SA9
A11 7	A11	SA10 41	SA10
A12 6	A12	SA11 40	SA11
A13 5	A13	SA12 38	SA12
A14 4	A14	SA13 37	SA13
A15 3	A15	SA14 36	SA14
A16 2	A16	SA15 35	SA15
CPUHLDA 23	CPUHLDA	SA16 34	SA16
ALE 22	ALE	XA1 83	XA1
REFEN* 26	REFEN	XA2 82	XA2
REF* 25	REF	XA3 81	XA3
REF9 30	REFBIT9	XA4 80	XA4
ADRSEL 27	ADRSEL	XA5 79	XA5
		XA6 78	XA6
		XA7 77	XA7
		XA8 76	XA8
		XA9 74	XA9
		XA10 73	XA10
		XA11 72	XA11
		XA12 71	XA12
		XA13 70	XA13
		XA14 69	XA14
		XA15 68	XA15
		XA16 67	XA16
		MA0 57	MA0R
		MA1 58	MA1R
		MA2 59	MA2R
		MA3 60	MA3R
		MA4 61	MA4R
		MA5 62	MA5R
		MA6 63	MA6R
		MA7 64	MA7R
		MA8 65	MA8R
		MA9 66	MA9R
		MA10 67	MA10R
		MA11 68	MA11R
		MA12 69	MA12R
		MA13 70	MA13R
		MA14 71	MA14R
		MA15 72	MA15R
		MA16 73	MA16R
		MA17 74	MA17R
		MA18 75	MA18R
		MA19 76	MA19R
		MA20 77	MA20R
		MA21 78	MA21R
		MA22 79	MA22R
		MA23 80	MA23R
		MA24 81	MA24R
		MA25 82	MA25R
		MA26 83	MA26R
		MA27 84	MA27R
		MA28 85	MA28R
		MA29 86	MA29R
		MA30 87	MA30R
		MA31 88	MA31R
		MA32 89	MA32R
		MA33 90	MA33R
		MA34 91	MA34R
		MA35 92	MA35R
		MA36 93	MA36R
		MA37 94	MA37R
		MA38 95	MA38R
		MA39 96	MA39R
		MA40 97	MA40R
		MA41 98	MA41R
		MA42 99	MA42R
		MA43 100	MA43R
		MA44 101	MA44R
		MA45 102	MA45R
		MA46 103	MA46R
		MA47 104	MA47R
		MA48 105	MA48R
		MA49 106	MA49R
		MA50 107	MA50R
		MA51 108	MA51R
		MA52 109	MA52R
		MA53 110	MA53R
		MA54 111	MA54R
		MA55 112	MA55R
		MA56 113	MA56R
		MA57 114	MA57R
		MA58 115	MA58R
		MA59 116	MA59R
		MA60 117	MA60R
		MA61 118	MA61R
		MA62 119	MA62R
		MA63 120	MA63R
		MA64 121	MA64R
		MA65 122	MA65R
		MA66 123	MA66R
		MA67 124	MA67R
		MA68 125	MA68R
		MA69 126	MA69R
		MA70 127	MA70R
		MA71 128	MA71R
		MA72 129	MA72R
		MA73 130	MA73R
		MA74 131	MA74R
		MA75 132	MA75R
		MA76 133	MA76R
		MA77 134	MA77R
		MA78 135	MA78R
		MA79 136	MA79R
		MA80 137	MA80R
		MA81 138	MA81R
		MA82 139	MA82R
		MA83 140	MA83R
		MA84 141	MA84R
		MA85 142	MA85R
		MA86 143	MA86R
		MA87 144	MA87R
		MA88 145	MA88R
		MA89 146	MA89R
		MA90 147	MA90R
		MA91 148	MA91R
		MA92 149	MA92R
		MA93 150	MA93R
		MA94 151	MA94R
		MA95 152	MA95R
		MA96 153	MA96R
		MA97 154	MA97R
		MA98 155	MA98R
		MA99 156	MA99R
		MA100 157	MA100R
		MA101 158	MA101R
		MA102 159	MA102R
		MA103 160	MA103R
		MA104 161	MA104R
		MA105 162	MA105R
		MA106 163	MA106R
		MA107 164	MA107R
		MA108 165	MA108R
		MA109 166	MA109R
		MA110 167	MA110R
		MA111 168	MA111R
		MA112 169	MA112R
		MA113 170	MA113R
		MA114 171	MA114R
		MA115 172	MA115R
		MA116 173	MA116R
		MA117 174	MA117R
		MA118 175	MA118R
		MA119 176	MA119R
		MA120 177	MA120R
		MA121 178	MA121R
		MA122 179	MA122R
		MA123 180	MA123R
		MA124 181	MA124R
		MA125 182	MA125R
		MA126 183	MA126R
		MA127 184	MA127R
		MA128 185	MA128R
		MA129 186	MA129R
		MA130 187	MA130R
		MA131 188	MA131R
		MA132 189	MA132R
		MA133 190	MA133R
		MA134 191	MA134R
		MA135 192	MA135R
		MA136 193	MA136R
		MA137 194	MA137R
		MA138 195	MA138R
		MA139 196	MA139R
		MA140 197	MA140R
		MA141 198	MA141R
		MA142 199	MA142R
		MA143 200	MA143R
		MA144 201	MA144R
		MA145 202	MA145R
		MA146 203	MA146R
		MA147 204	MA147R
		MA148 205	MA148R
		MA149 206	MA149R
		MA150 207	MA150R
		MA151 208	MA151R
		MA152 209	MA152R
		MA153 210	MA153R
		MA154 211	MA154R
		MA155 212	MA155R
		MA156 213	MA156R
		MA157 214	MA157R
		MA158 215	MA158R
		MA159 216	MA159R
		MA160 217	MA160R
		MA161 218	MA161R
		MA162 219	MA162R
		MA163 220	MA163R
		MA164 221	MA164R
		MA165 222	MA165R
		MA166 223	MA166R
		MA167 224	MA167R
		MA168 225	MA168R
		MA169 226	MA169R
		MA170 227	MA170R
		MA171 228	MA171R
		MA172 229	MA172R
		MA173 230	MA173R
		MA174 231	MA174R
		MA175 232	MA175R
		MA176 233	MA176R
		MA177 234	MA177R
		MA178 235	MA178R
		MA179 236	MA179R
		MA180 237	MA180R
		MA181 238	MA181R
		MA182 239	MA182R
		MA183 240	MA183R
		MA184 241	MA184R
		MA185 242	MA185R
		MA186 243	MA186R
		MA187 244	MA187R
		MA188 245	MA188R
		MA189 246	MA189R
		MA190 247	MA190R
		MA191 248	MA191R
		MA192 249	MA192R
		MA193 250	MA193R
		MA194 251	MA194R
		MA195 252	MA195R
		MA196 253	MA196R
		MA197 254	MA197R
		MA198 255	MA198R
		MA199 256	MA199R
		MA200 257	MA200R
		MA201 258	MA201R
		MA202 259	MA202R
		MA203 260	MA203R
		MA204 261	MA204R
		MA205 262	MA205R
		MA206 263	MA206R
		MA207 264	MA207R
		MA208 265	MA208R
		MA209 266	MA209R
		MA210 267	MA210R
		MA211 268	MA211R
		MA212 269	MA212R
		MA213 270	MA213R
		MA214 271	MA214R
		MA215 272	MA215R
		MA216 273	MA216R
		MA217 274	MA217R
		MA218 275	MA218R
		MA219 276	MA219R
		MA220 277	MA220R
		MA221 278	MA221R
		MA222 279	MA222R
		MA223 280	MA223R
		MA224 281	MA224R
		MA225 282	MA225R
		MA226 283	MA226R
		MA227 284	MA227R
		MA228 285	MA228R
		MA229 286	MA229R
		MA230 287	MA230R
		MA231 288	MA231R
		MA232 289	MA232R
		MA233 290	MA233R
		MA234 291	MA234R
		MA235 292	MA235R
		MA236 293	MA236R
		MA237 294	MA237R
		MA238 295	MA238R
		MA239 296	MA239R
		MA240 297	MA240R
		MA241 298	MA241R
		MA242 299	MA242R
		MA243 300	MA243R
		MA244 301	MA244R
		MA245 302	MA245R
		MA246 303	MA246R
		MA247 304	MA247R
		MA248 305	MA248R
		MA249 306	MA249R
		MA250 307	MA250R
		MA251 308	MA251R
		MA252 309	MA252R
		MA253 310	MA253R
		MA254 311	MA254R
		MA255 312	MA255R
		MA256 313	MA256R
		MA257 314	MA257R
		MA258 315	MA258R
		MA259 316	MA259R
		MA260 317	MA260R
		MA261 318	MA261R
		MA262 319	MA262R
		MA263 320	MA263R
		MA264 321	MA264R
		MA265 322	MA265R
		MA266 323	MA266R
		MA267 324	MA267R
		MA268 325	MA268R
		MA269 326	MA269R
		MA270 327	MA270R
		MA271 328	MA271R
		MA272 329	MA272R
		MA273 330	MA273R
		MA274 331	MA274R
		MA275 332	MA275R
		MA276 333	MA276R
		MA277 334	MA277R
		MA278 335	MA278R
		MA279 336	MA279R
		MA280 337	MA280R
		MA281 338	MA281R
		MA282 339	MA282R
		MA283 340	MA283R
		MA284 341	MA284R
		MA285 342	MA285R
		MA286 343	MA286R
		MA287 344	MA287R
		MA288 345	MA288R
		MA289 346	MA289R
		MA290 347	MA290R
		MA291 348	MA291R
		MA292 349	MA292R
		MA293 350	MA293R
		MA294 351	MA294R
		MA295 352	MA295R
		MA296 353	MA296R
		MA297 354	MA297R
		MA298 355	MA298R
		MA299 356	MA299R
		MA300 357	MA300R
		MA301 358	MA301R
		MA302 359	MA302R
		MA303 360	MA303R
		MA304 361	MA304R
		MA305 362	MA305R
		MA306 363	MA306R
		MA307 364	MA307R
		MA308 365	MA308R
		MA309 366	MA309R
		MA310 367	MA310R
		MA311 368	MA311R

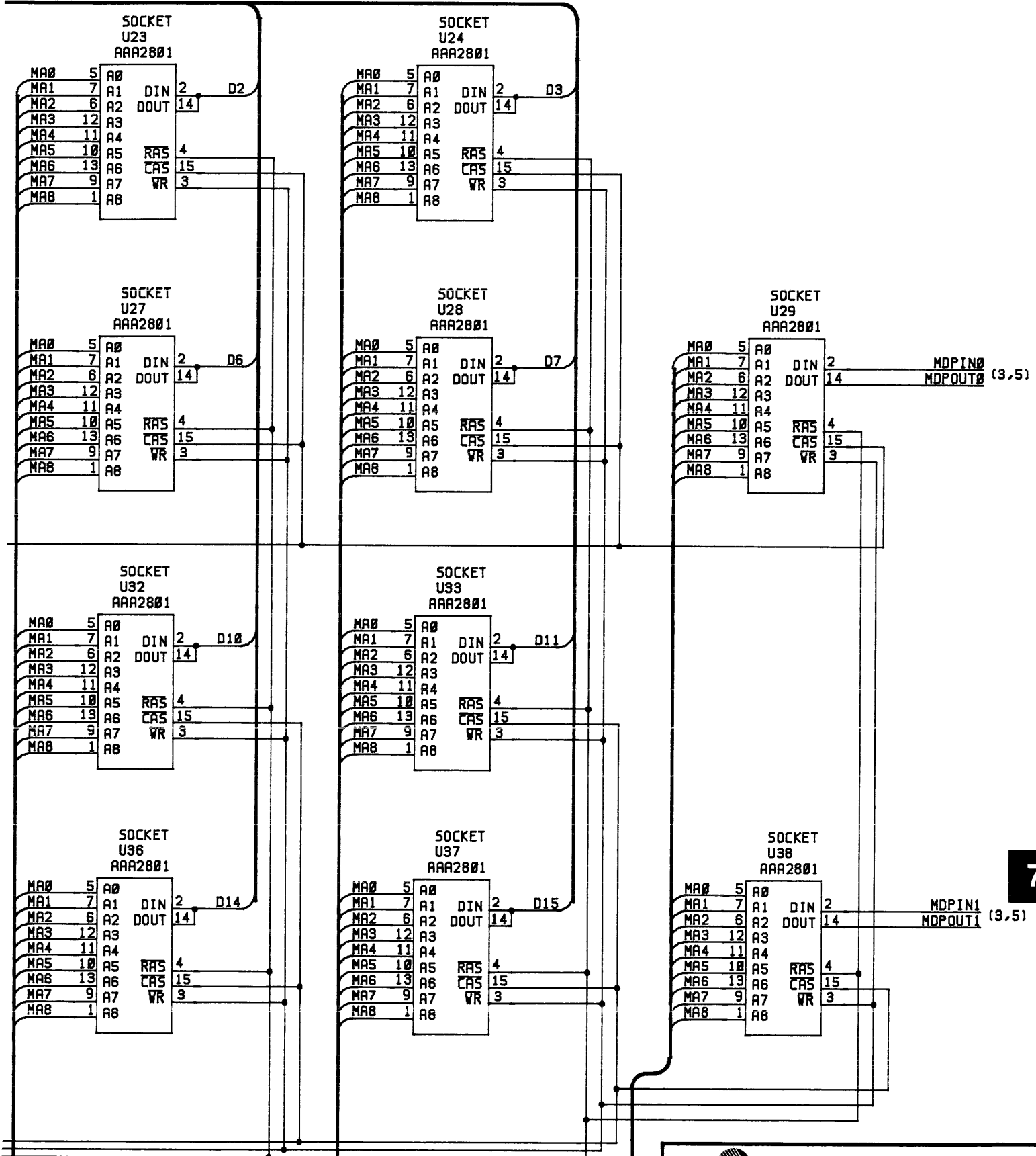



PAGE 1
PAGE 2
PAGE 6

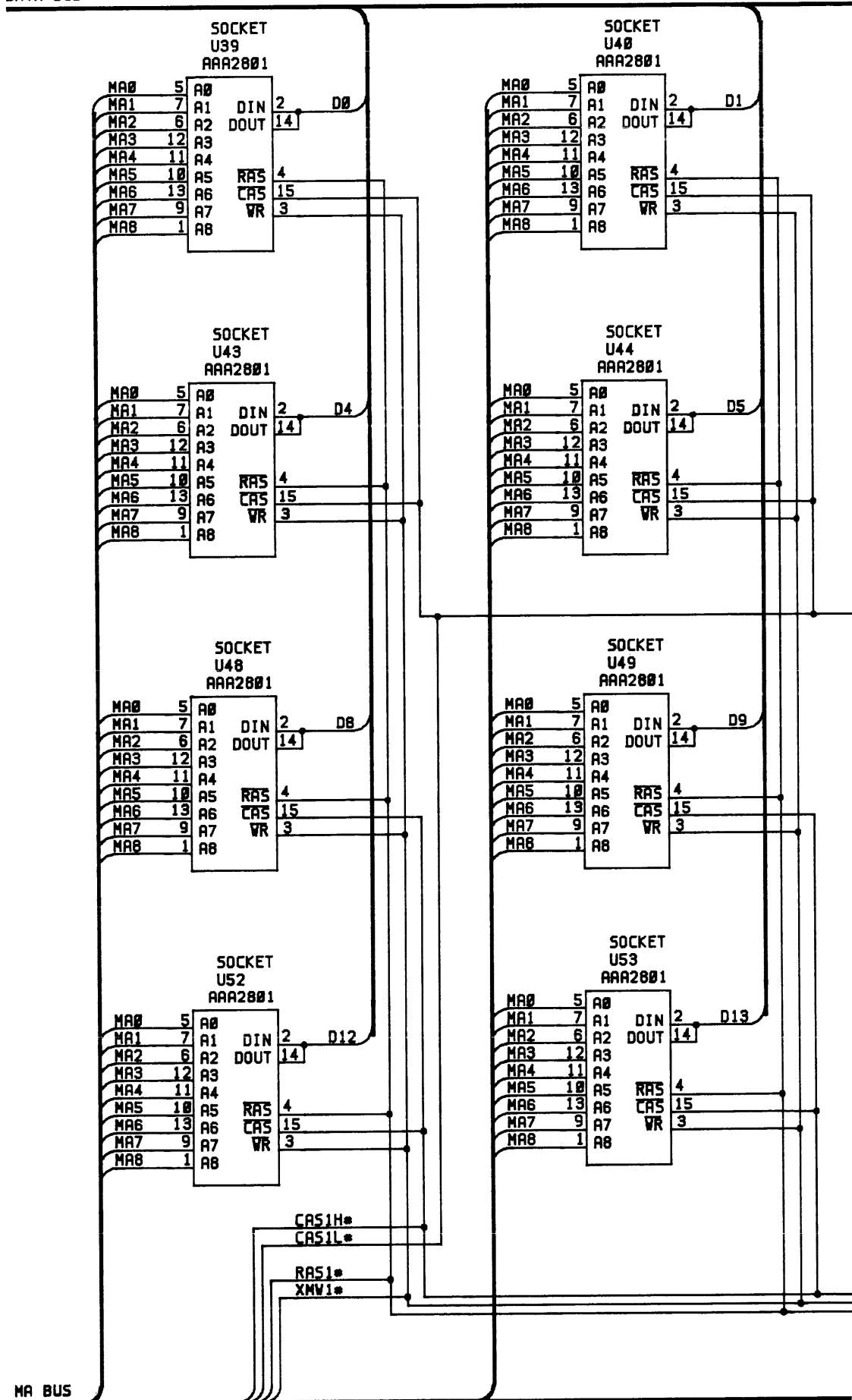
VLSI TECHNOLOGY, INC.
VLSI 286 16MHZ PC/AT
DRAWING NO. 87091502-5 REV. B



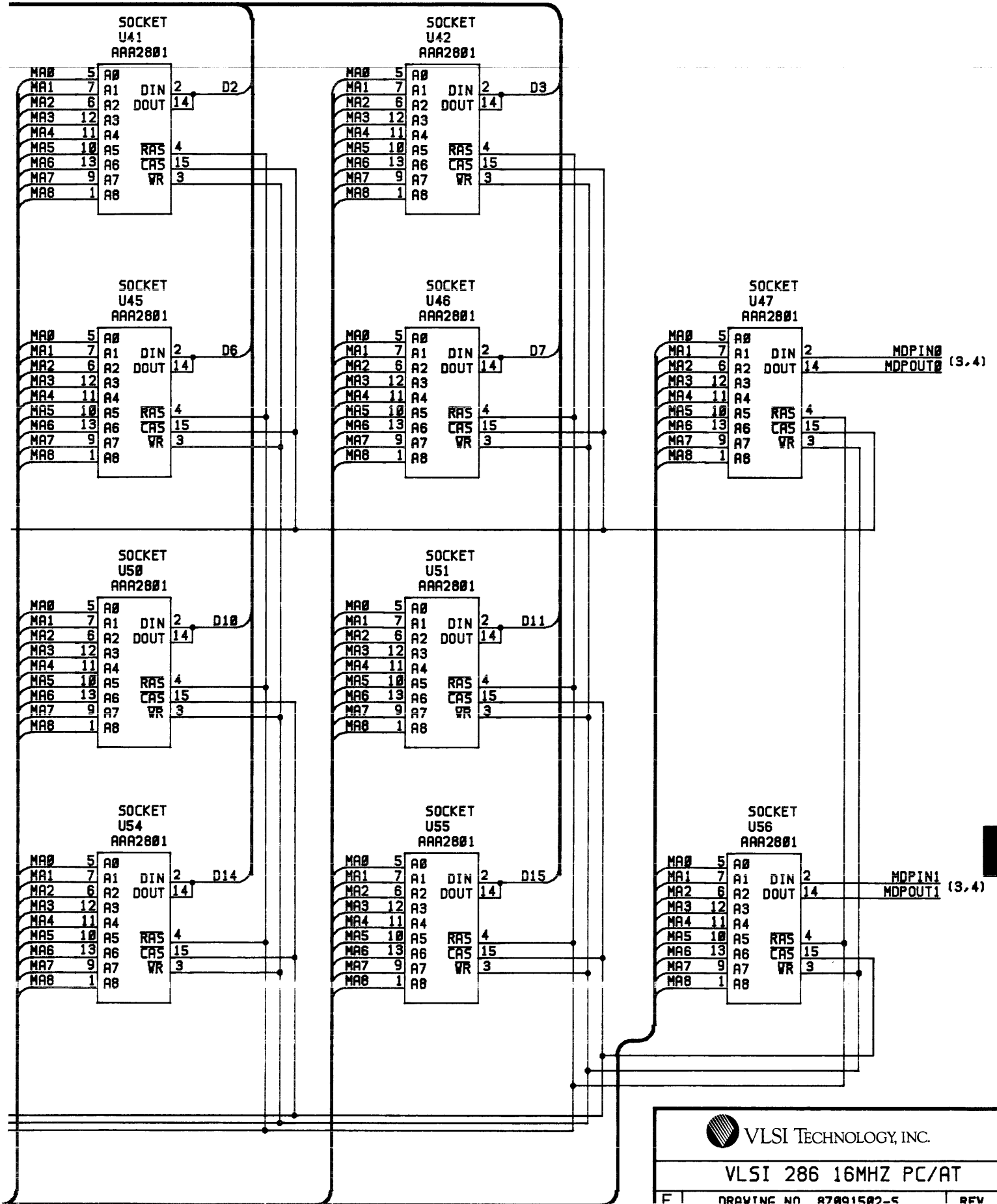
MEMORY BANK 0




 VLSI TECHNOLOGY, INC.		
VLSI 286 16MHZ PC/AT		
E	DRAWING NO. 87091502-5	REV. B
DATE: 1/03/89	SHEET 4 OF 8	

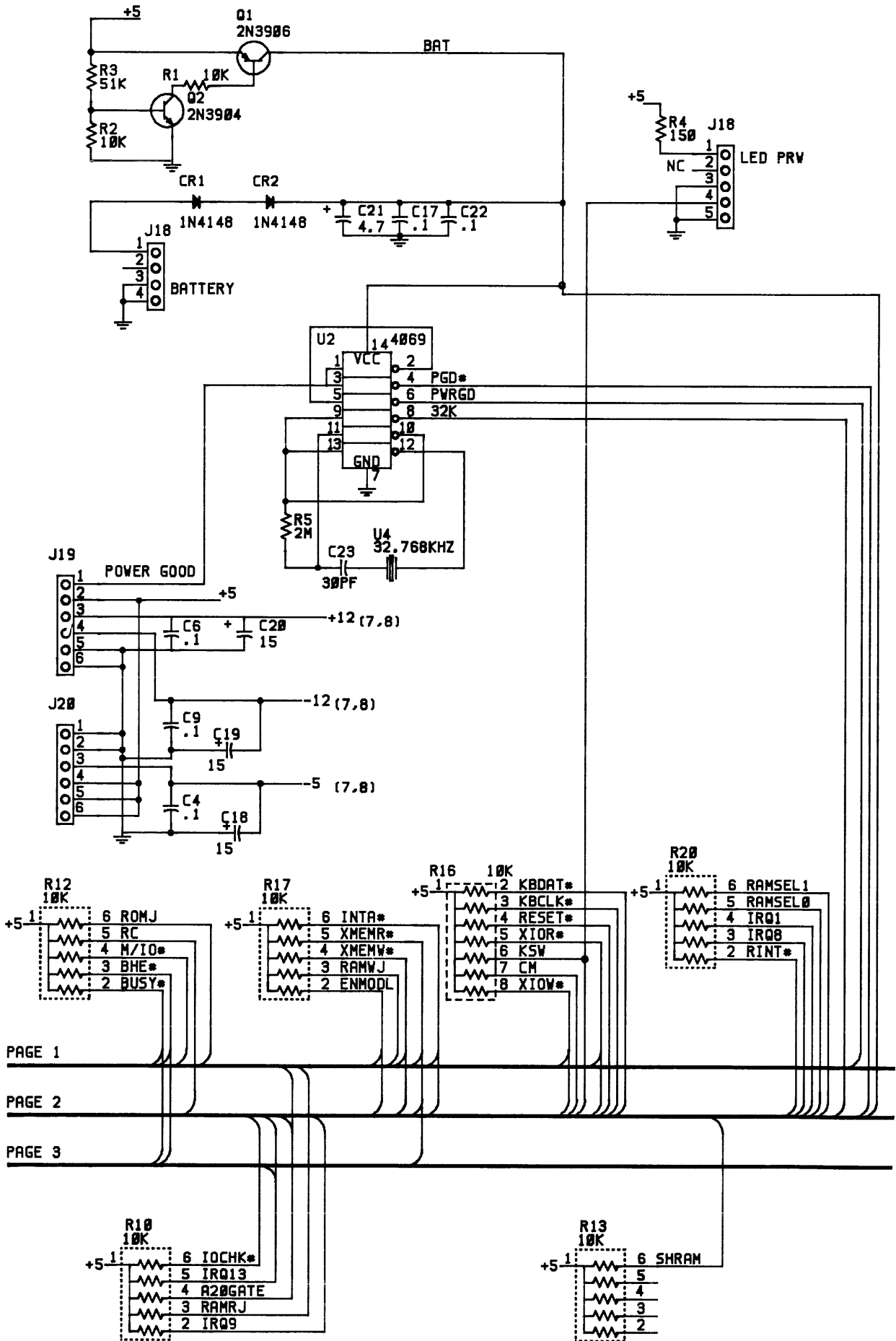


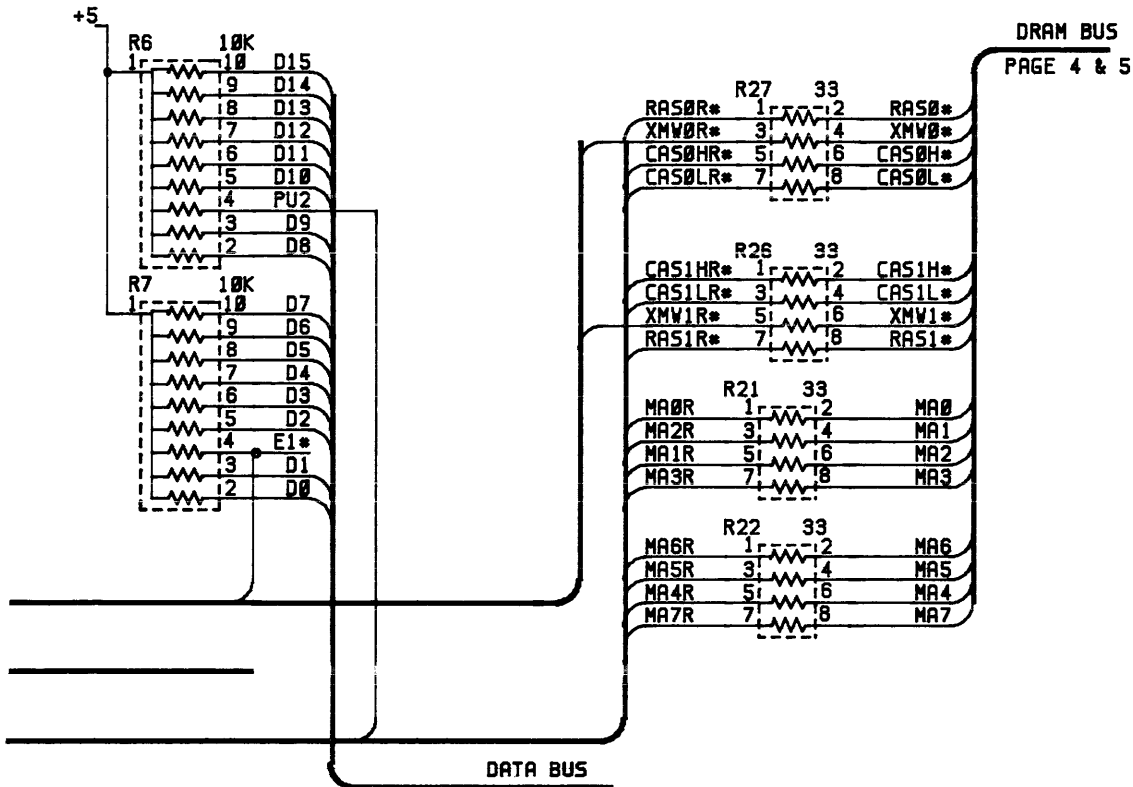
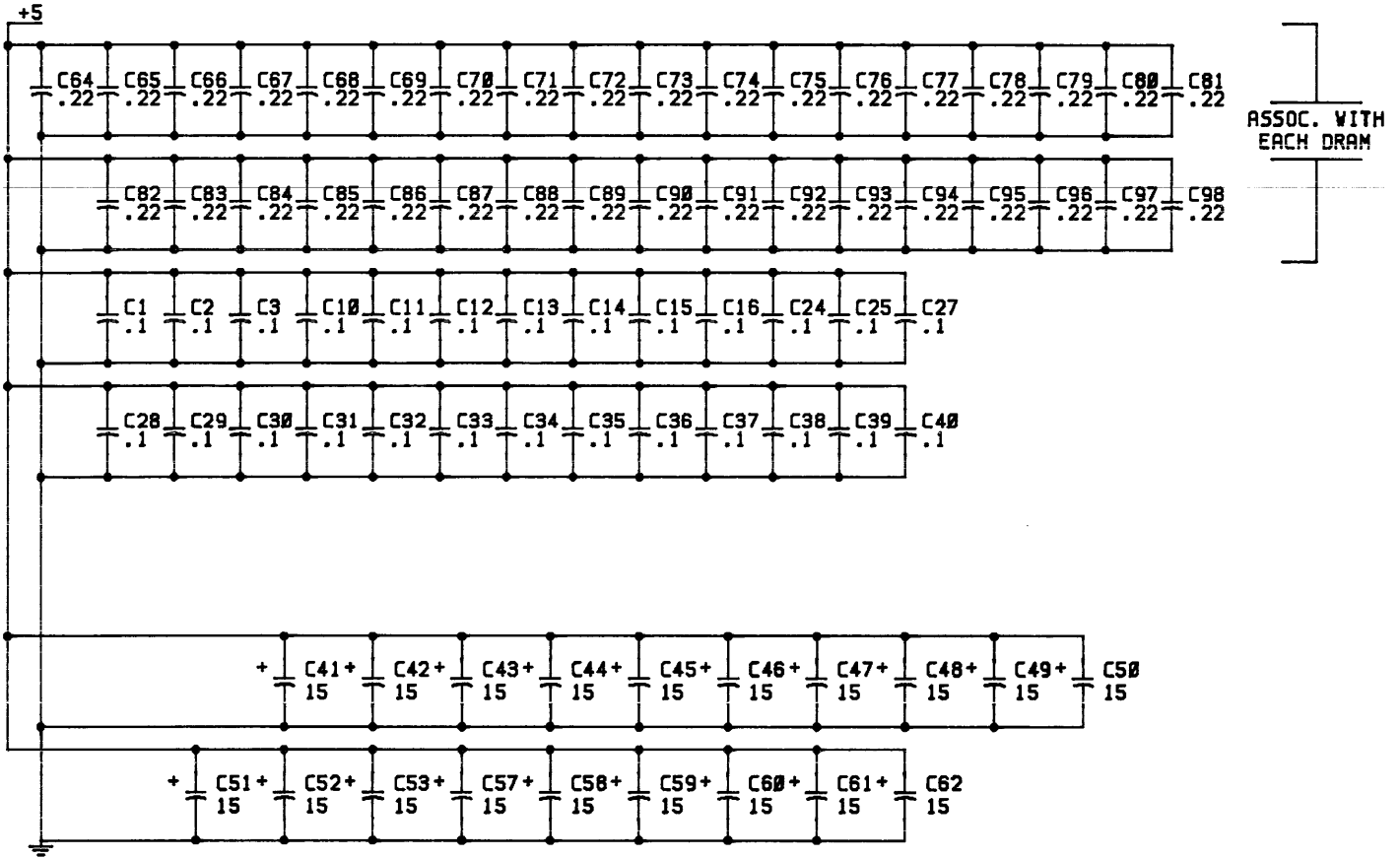
MEMORY BANK 1



7

 VLSI TECHNOLOGY, INC.		
VLSI 286 16MHZ PC/AT		
E	DRAWING NO. 87091502-S	REV. B
DATE: 1/03/89	SHEET 5 OF 8	





7

VLSI TECHNOLOGY, INC.
 VLSI 286 16MHZ PC/AT
 E DRAWING NO. 87091502-5 REV. B
 DATE: 1/03/89 SHEET 6 OF 8

J1		
IOCHK*	A1B	GND
SD7	2	RSTDRV
SD6	3	+5
SD5	4	IRQ9
SD4	5	-5
SD3	6	DRQ2
SD2	7	-12
SD1	8	ØV5*
SDØ	9	+12
IOCHRØY	1Ø	GND
AEN	11	SMEMV*
SA19	12	SMEMR*
SA18	13	IOV*
SA17	14	IØR*
SA16	15	DACK3*
SA15	16	DRQ3
SA14	17	DACK1*
SA13	18	DRQ1
SA12	19	REF*
SA11	2Ø	CLK
SA1Ø	21	IRQ7
SA9	22	IRQ6
SA8	23	IRQ5
SA7	24	IRQ4
SA6	25	IRQ3
SA5	26	DACK2*
SA4	27	T/C
SA3	28	BALE
SA2	29	+5
SA1	3Ø	OSC
SAØ	31	GND

J2		
IOCHK*	A1B	GND
SD7	2	RSTDRV
SD6	3	+5
SD5	4	IRQ9
SD4	5	-5
SD3	6	DRQ2
SD2	7	-12
SD1	8	ØV5*
SDØ	9	+12
IOCHRØY	1Ø	GND
AEN	11	SMEMV*
SA19	12	SMEMR*
SA18	13	IOV*
SA17	14	IØR*
SA16	15	DACK3*
SA15	16	DRQ3
SA14	17	DACK1*
SA13	18	DRQ1
SA12	19	REF*
SA11	2Ø	CLK
SA1Ø	21	IRQ7
SA9	22	IRQ6
SA8	23	IRQ5
SA7	24	IRQ4
SA6	25	IRQ3
SA5	26	DACK2*
SA4	27	T/C
SA3	28	BALE
SA2	29	+5
SA1	3Ø	OSC
SAØ	31	GND

J1Ø		
SBHE*	MEMC516*	
LA23	1	IOCS16*
LA22	2	IRQ1Ø
LA21	3	IRQ11
LA2Ø	4	IRQ12
LA19	5	IRQ15
LA18	6	IRQ14
LA17	7	DACKØ*
MEMR*	8	DRQØ
MEMV*	9	DACK5*
SD8	1Ø	DRQ5
SD9	11	DACK6*
SD1Ø	12	DRQ6
SD11	13	DACK7*
SD12	14	DRQ7
SD13	15	+5
SD14	16	MASTER*
SD15	17	GND
	18	

I/O CHANNEL

J9

IOCHK*	A1B	GND
SD7	2	RSTDV
SD6	3	+5
SD5	4	IRQ9
SD4	5	-5
SD3	6	DRQ2
SD2	7	-12
SD1	8	ØV5*
SDØ	9	+12
IOCHRDY	1Ø	GND
AEN	11	SMEV*
SA19	12	SMEV*
SA18	13	IOV*
SA17	14	IOR*
SA16	15	DACK3*
SA15	16	DRQ3
SA14	17	DACK1*
SA13	18	DRQ1
SA12	19	REF*
SA11	2Ø	CLK
SA1Ø	21	IRQ7
SA9	22	IRQ6
SA8	23	IRQ5
SA7	24	IRQ4
SA6	25	IRQ3
SA5	26	DACK2*
SA4	27	T/C
SA3	28	BALE
SA2	29	+5
SA1	3Ø	OSC
SAØ	31	GND

J4


IOCHK*	A1B	GND
SD7	2	RSTDV
SD6	3	+5
SD5	4	IRQ9
SD4	5	-5
SD3	6	DRQ2
SD2	7	-12
SD1	8	ØV5*
SDØ	9	+12
IOCHRDY	1Ø	GND
AEN	11	SMEV*
SA19	12	SMEV*
SA18	13	IOV*
SA17	14	IOR*
SA16	15	DACK3*
SA15	16	DRQ3
SA14	17	DACK1*
SA13	18	DRQ1
SA12	19	REF*
SA11	2Ø	CLK
SA1Ø	21	IRQ7
SA9	22	IRQ6
SA8	23	IRQ5
SA7	24	IRQ4
SA6	25	IRQ3
SA5	26	DACK2*
SA4	27	T/C
SA3	28	BALE
SA2	29	+5
SA1	3Ø	OSC
SAØ	31	GND

J11

SBHE*	C1D	MEMC516*
LA23	2	IOCS16*
LA22	3	IRQ1Ø
LA21	4	IRQ11
LA2Ø	5	IRQ12
LA19	6	IRQ15
LA18	7	IRQ14
LA17	8	DACKØ*
MEMR*	9	DRQØ
MEMV*	1Ø	DACK5*
SD8	11	DRQ5
SD9	12	DACK6*
SD1Ø	13	DRQ6
SD11	14	DACK7*
SD12	15	DRQ7
SD13	16	+5
SD14	17	MASTER*
SD15	18	GND

J12

SBHE*	C1D	MEMC516*
LA23	2	IOCS16*
LA22	3	IRQ1Ø
LA21	4	IRQ11
LA2Ø	5	IRQ12
LA19	6	IRQ15
LA18	7	IRQ14
LA17	8	DACKØ*
MEMR*	9	DRQØ
MEMV*	1Ø	DACK5*
SD8	11	DRQ5
SD9	12	DACK6*
SD1Ø	13	DRQ6
SD11	14	DACK7*
SD12	15	DRQ7
SD13	16	+5
SD14	17	MASTER*
SD15	18	GND

 VLSI TECHNOLOGY, INC.
VLSI 286 16MHZ PC/AT
E DRAWING NO. 87Ø915Ø2-5 REV. B

J7

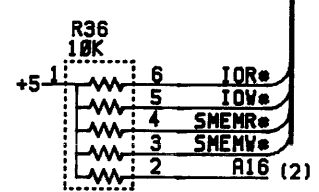
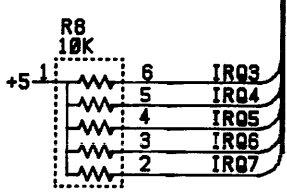
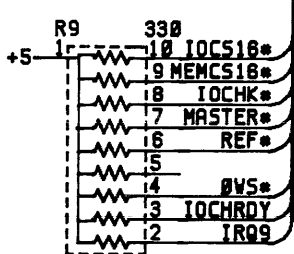
IOCHK*	A1B	GND
SD7	2	RSTDRV
SD6	3	+5
SD5	4	IRQ9
SD4	5	-5
SD3	6	DRQ2
SD2	7	-12
SD1	8	ØVS*
SDØ	9	+12
IOCHRDY	1Ø	GND
AEN	11	SMEV*
SA19	12	SMEV*
SA18	13	IOV*
SA17	14	IOR*
SA16	15	DACK3*
SA15	16	DRQ3
SA14	17	DACK1*
SA13	18	DRQ1
SA12	19	REF*
SA11	2Ø	CLK
SA1Ø	21	IRQ7
SA9	22	IRQ6
SA8	23	IRQ5
SA7	24	IRQ4
SA6	25	IRQ3
SA5	26	DACK2*
SA4	27	T/C
SA3	28	BALE
SA2	29	+5
SA1	3Ø	OSC
SAØ	31	GND

J8

IOCHK*	A1B	GND
SD7	2	RSTDRV
SD6	3	+5
SD5	4	IRQ9
SD4	5	-5
SD3	6	DRQ2
SD2	7	-12
SD1	8	ØVS*
SDØ	9	+12
IOCHRDY	1Ø	GND
AEN	11	SMEV*
SA19	12	SMEV*
SA18	13	IOV*
SA17	14	IOR*
SA16	15	DACK3*
SA15	16	DRQ3
SA14	17	DACK1*
SA13	18	DRQ1
SA12	19	REF*
SA11	2Ø	CLK
SA1Ø	21	IRQ7
SA9	22	IRQ6
SA8	23	IRQ5
SA7	24	IRQ4
SA6	25	IRQ3
SA5	26	DACK2*
SA4	27	T/C
SA3	28	BALE
SA2	29	+5
SA1	3Ø	OSC
SAØ	31	GND

J15

SBHE*	MEMCS16*	MEMCS16*
LA23	2	IOCS16*
LA22	3	IRQ1Ø
LA21	4	IRQ11
LA2Ø	5	IRQ12
LA19	6	IRQ15
LA18	7	IRQ14
LA17	8	DACKØ*
MEMR*	9	DRQØ
MEMV*	1Ø	DACK5*
SD8	11	DRQ5
SD9	12	DACK6*
SD1Ø	13	DRQ6
SD11	14	DACK7*
SD12	15	DRQ7
SD13	16	+5
SD14	17	MASTER*
SD15	18	GND



7

VLSI TECHNOLOGY, INC.

VLSI 286 16MHZ PC/AT

E	DRAWING NO. 87Ø915Ø2-5	REV. B
---	------------------------	--------