

W83304D/W83304G



**Winbond
ACPI Controller
W83304D
W83304G
For AMD Claw Hammer™ CPU**



W83304D
Data Sheet Revision History

	PAGES	DATES	VERSION	VERSION ON WEB	MAIN CONTENTS
1		June/04	0.50	N/A	Preliminary Version
2		April/06	0.51	N/A	Add Pb-free part no of W83304G
3					
4					
5					
6					
7					
8					

Please note that all data and specifications are subject to change without notice. All the trademarks of products and companies mentioned in this data sheet belong to their respective owners.

LIFE SUPPORT APPLICATIONS

These products are not designed for use in life support appliances, devices, or systems where malfunction of these products can reasonably be expected to result in personal injury. Winbond customers using or selling these products for use in such applications do so at their own risk and agree to fully indemnify Winbond for any damages resulting from such improper use or sales.



Table of Content-

1.	GENERAL FUNCTION DESCRIPTION.....	4
2.	PIN-OUT.....	5
3.	PIN DESCRIPTIONS	6
4.	BLOCK DIAGRAM	9
5.	ELECTRICAL SPECIFICATION	10
	5.1 AC CHARACTERISTICS.....	10
6.	APPLICATION CIRCUIT.....	12
7.	POWER SEQUENCE	13
8.	ORDERING INSTRUCTION	14
9.	HOW TO READ THE TOP MARKING.....	14
10.	PACKAGE DIMENSION	15



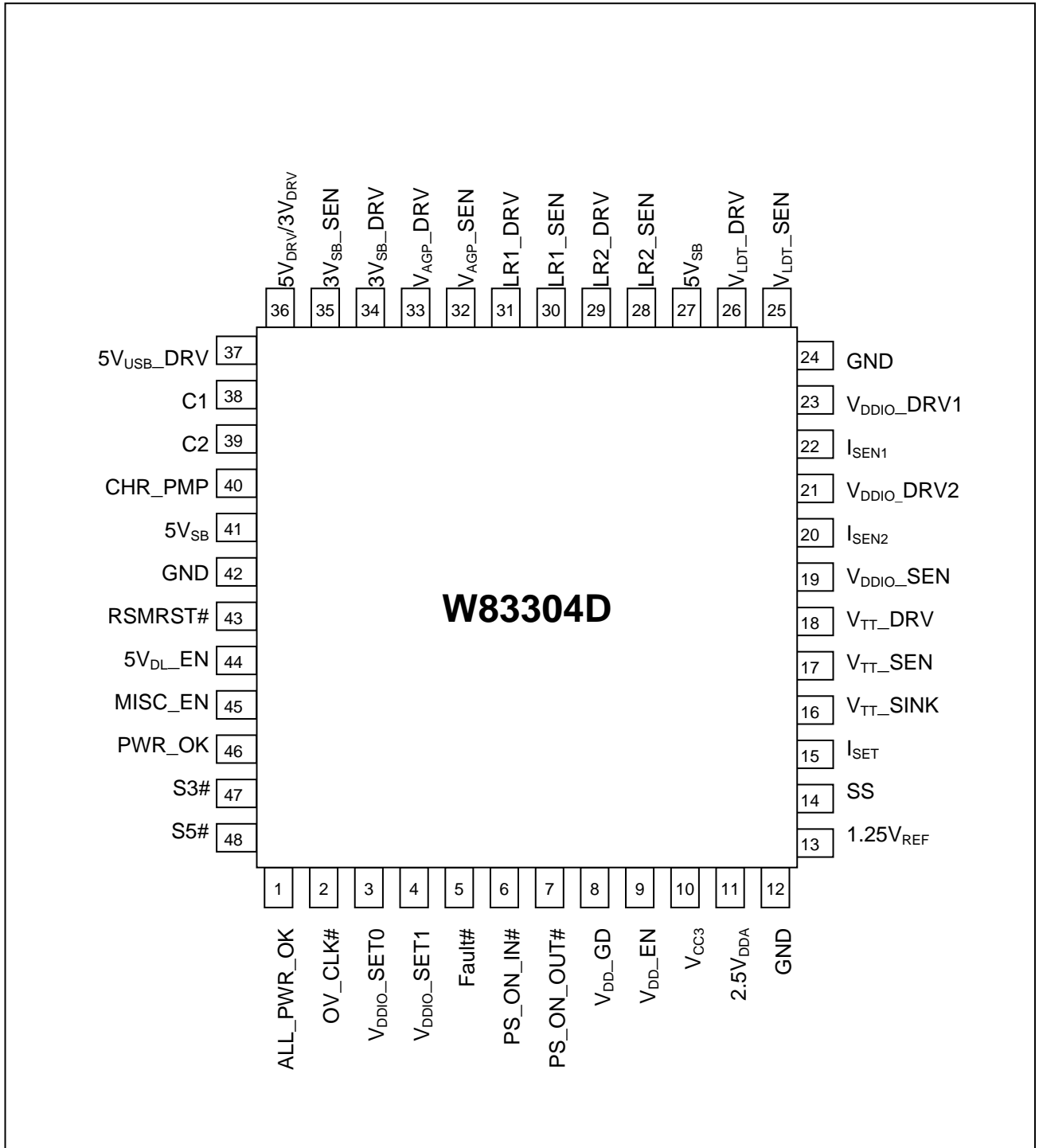
1. GENERAL FUNCTION DESCRIPTION

- Provides Powers
 - 5V Active/Sleep ($5V_{DL}$)
 - Provide a switch $5V_{DLEN}$ pin to enable/disable $5V_{DL}$ output in S5 state for USB application.
 - 3.3V Active/Sleep ($3.3VDUAL$)
 - Dual-Channel 2.5V Active/Sleep ($2.5VSTR$) for DDR
 - 1.5V for AGP 4X/8X Voltage
 - Two 1.25V~5V Linear Voltage Regulators Support VCC/VSTR/VDL/VS_B Voltages
 - 1.25V DDR Bus Termination Regulated Voltage
 - 1.2V VLDT for AMD_K8 CPU Hyper transport.
 - 2.5VDDA for AMD_K8 PLL.
 - 1.25VREF for AMD_K8 reference.
 - Up to 0.3V/0.1V incremental voltage on DDR RAM for over-clocking application.
- Provides Signals for ATX Power Supply PS_ON# Control
- Support AMD K8 Claw Hammer Specific Power Up/Down Sequence
- Provides fault signal control.
- Internal Charge Pump Support Up to 9.5V_{SB}
- Drive All N-Channel MOSFET
- Soft Start
- Under-Voltage Monitoring for VAGP, VRAM, VLDT, 3.3VDUAL Channels

W83304D/W83304G



2. PIN-OUT





3. PIN DESCRIPTIONS

I/O_{12t} - TTL level bi-directional pin with 12 mA source-sink capability, open drain output

I/O_{12ts} - TTL level and schmitt trigger

O₁₂ - Output pin with 12 mA source-sink capability

AO₁₂ - Output pin(Analog) with 12mA capability

OD₁₂ - Open-drain output pin with 12 mA sink capability

IN_t - TTL level input pin

IN_{ts} - TTL level input pin and schmitt trigger

AIN - Input pin(Analog)

NO	NAME	I/O	POWER SOURCE	FUNCTION DESCRIPTION															
1	ALL_PWR_OK	OD ₂₄	5VSB	Power OK Signal. The signal is drove high to indicate all power ready.															
2	OV_CLK#	I	5VSB	H/W Trapping Pin for Over-Clocking Application. 1: Normal 0: +50mV is added on All regulated powers (V_{DDIO} , V_{DDA} , V_{AGP} , V_{LDT} , $1.25V_{REF}$).															
3	V_{DDIO_SET0}	I _{ts}	5VSB	VDDIO Output Voltage Setting Pin. V_{DDIO} output with OV_CLK# = High <table border="1"> <thead> <tr> <th></th> <th>V_{DDIO_SET1}</th> <th>V_{DDIO_SET0}</th> </tr> </thead> <tbody> <tr> <td>2.5V</td> <td>0</td> <td>0</td> </tr> <tr> <td>2.6V</td> <td>0</td> <td>1</td> </tr> <tr> <td>2.7V</td> <td>1</td> <td>0</td> </tr> <tr> <td>2.8V</td> <td>1</td> <td>1</td> </tr> </tbody> </table>		V_{DDIO_SET1}	V_{DDIO_SET0}	2.5V	0	0	2.6V	0	1	2.7V	1	0	2.8V	1	1
	V_{DDIO_SET1}	V_{DDIO_SET0}																	
2.5V	0	0																	
2.6V	0	1																	
2.7V	1	0																	
2.8V	1	1																	
4	V_{DDIO_SET1}	I _{ts}	5VSB	V_{DDIO} output with OV_CLK# = Low <table border="1"> <thead> <tr> <th></th> <th>VRAMSET1</th> <th>VRAMSET0</th> </tr> </thead> <tbody> <tr> <td>2.55V</td> <td>0</td> <td>0</td> </tr> <tr> <td>2.65V</td> <td>0</td> <td>1</td> </tr> <tr> <td>2.75V</td> <td>1</td> <td>0</td> </tr> <tr> <td>2.85V</td> <td>1</td> <td>1</td> </tr> </tbody> </table>		VRAMSET1	VRAMSET0	2.55V	0	0	2.65V	0	1	2.75V	1	0	2.85V	1	1
	VRAMSET1	VRAMSET0																	
2.55V	0	0																	
2.65V	0	1																	
2.75V	1	0																	
2.85V	1	1																	
5	Fault#	I _{ts}		System Fault Input Signal. Pull the pin low when any critical event alerted; the chip will shut the system down when the signal pulled low.															
6	PS_ON_IN#	I _{ts}		ATX PS_ON# Signal Input.															
7	PS_ON_OUT#	OD ₁₂		The PS_ON# signal of ATX power supply is routed through the chip for power fault control.															



Pin Descriptions, continued

NO	NAME	I/O	POWER SOURCE	FUNCTION DESCRIPTION
8	V _{DD_GD}	I	5VSB	CPU Power Good Signal. The signal is inputted for power sequence control.
9	V _{DD_EN}	OD ₂₄	5VSB	Signal Output to Enable CPU Power. The signal output to enable CPU power for sequence control.
10	V _{CC3}	P		Power V_{CC}.
11	2.5V _{DDA}	AO _{200mA}	VCC3	2.5V Power for CPU PLL Core.
12	GND	P		Power Ground.
13	1.25V _{REF}	AO _{5mA}	3VSB	1.25V Reference Voltage.
14	SS	AI/AO	5VSB	Soft-Start Pin. A capacitor (0.1u) is attached in this pin for soft-start slope rate adjustment.
15	I _{SET}	AI/AO	5VSB	Reference Current Input. An input current for internal circuit reference.
16	V _{TT_SINK}	AO	5VSB	Power V_{TT}.
17	V _{TT_SEN}	AI	5VSB	A bi-direction linear regulator is provided to regulate voltage for DDR bus terminator.
18	V _{TT_DRV}	AO	9VSB	
19	V _{DDIO_SEN}	AI	9VSB	Power V_{DDIO}. A dual-channels linear regulator with current balancing architecture is provided for higher current DDR SDRAM application.
20	I _{SEN2}	AI		
21	V _{DDIO_DRV2}	AO		
22	I _{SEN1}	AI		
23	V _{DDIO_DRV1}	AO		
24	GND	P		Power Ground.
25	V _{LDT_SEN}	AI	5VSB	Power V_{LDT}.
26	V _{LDT_DRV}	AO	9VSB	1.2V power for LDT bus.
27	5V _{SB}	P		Standby Power Pin.
28	LR2_SEN	AI	5VSB	Linear Regulator 1.
29	LR2_DRV	AO	9VSB	A general purpose linear regulator is provided to generate 1.2V~5.0V power for specific device.
30	LR1_SEN	AI	5VSB	Linear Regulator 2.
31	LR1_DRV	AO	9VSB	A general purpose linear regulator is provided to generate 1.2V~5.0V power for specific device.

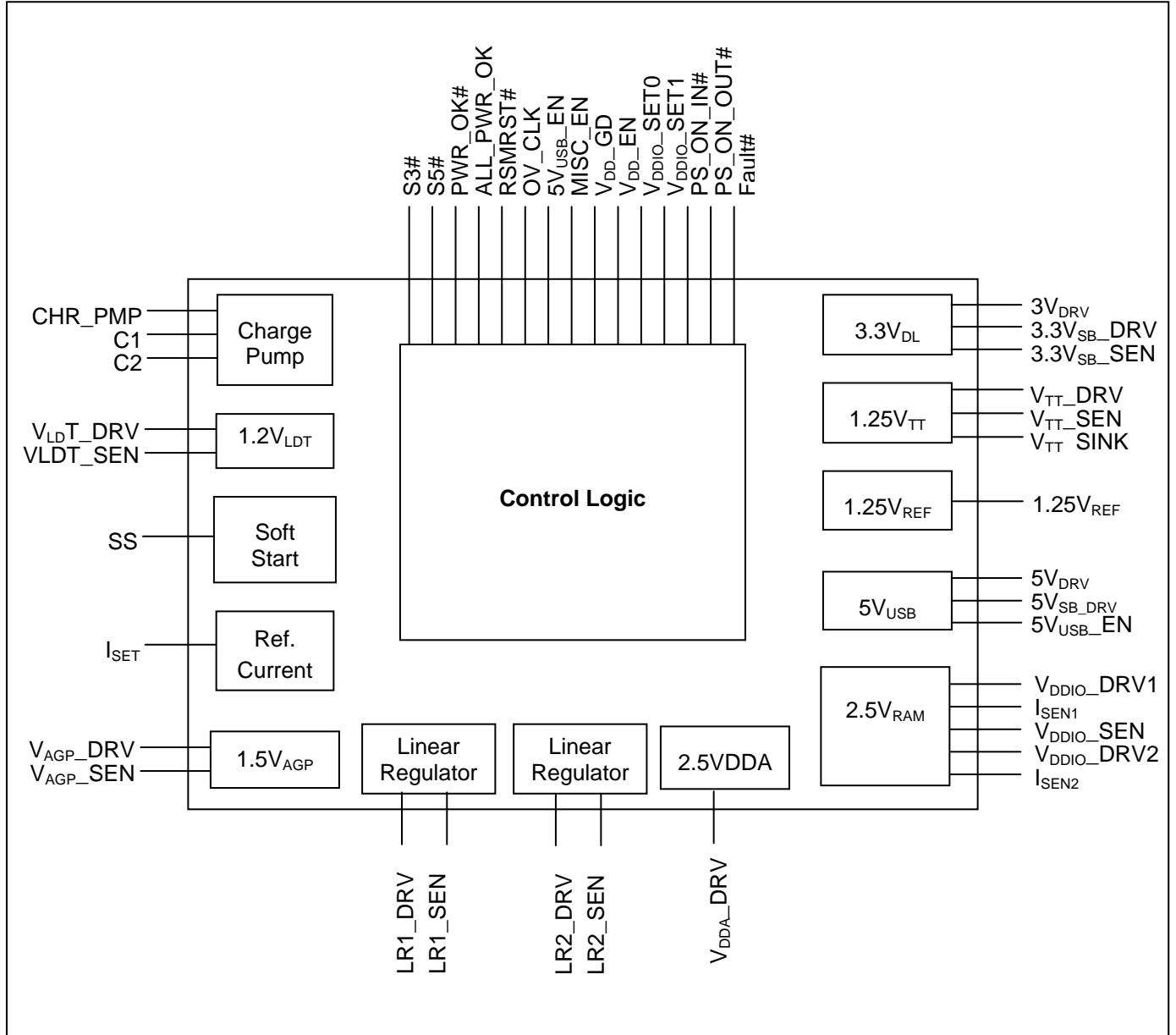


Pin Descriptions, continued

NO	NAME	I/O	POWER SOURCE	FUNCTION DESCRIPTION
32	V _{AGP_SEN}	AI	5VSB	Power for AGP Core. 1.5V power is regulated for AGP core.
33	V _{AGP_DRV}	AO	9VSB	
34	3V _{SB_DRV}	AO	9VSB	Power 3.3V_{DL}. A linear regulator and switch is combined to generate 3V dual power.
35	3V _{SB_SEN}	AI	5VSB	
36	5V _{DRV} /3V _{DRV}	AO	9VSB	
36	5V _{DRV} /3V _{DRV}	AO	9VSB	Power for USB Device. A 5V switch power is provided for USB device and can be programmed for various USB application with configuration of pin 44.
37	5V _{USB_DRV}	AO	9VSB	
38	C1	I	5VSB	Charge Pump Pins. It supports achieve 10mA driving current and insures output voltage 9.5V or above.
39	C2	I	5VSB	
40	CHR_PMP	P	5VSB	
41	5V _{SB}	P		Standby Power Pin.
42	GND			Power Ground.
43	RSMRST#	OD ₁₂		Signal to Indicate Status of Standby Power. The signal will be pulled high to indicate the standby power stable.
44	5V _{DL_EN}	I	5VSB	5VUSB Power Type Setting Pin. 5V _{USB_EN} =Low, support power for USB device in S0, S3 state. 5V _{USB_EN} =High, support power for USB device in S0, S3, S5 state.
45	MISC_EN	OD ₂₄	5VSB	Signal to Enable Miscellaneous Power.
46	PWR_OK	I _{ts}	5VSB	Power OK Signal form ATX Power Supply.
47	S3#	I		ACPI Control Signals.
48	S5#	I		



4. BLOCK DIAGRAM





5. ELECTRICAL SPECIFICATION

5.1 AC CHARACTERISTICS

V _{CC} =5V ± 5 %, T _A = 0°C to +70°C						
PARAMETER	SYMBOL	MIN	TYP	MAX	UNITS	TEST CONDITIONS
VAGP Linear Regulator						
Nominal Output Voltage			1.5		V	OVA#=1
Nominal Output Voltage			1.55		V	OVA#=0
Regulation				5	%	
Under-Voltage Falling Threshold			86.67		%	
1.25VREF						
Nominal Output Voltage			1.25			I _{load} < 5mA; OVA#=1
Nominal Output Voltage			1.3			I _{load} < 5mA; OVA#=0
1.2VLDT Linear Regulator						
Nominal Output Voltage			1.2		V	OVA#=1
Nominal Output Voltage			1.25		V	OVA#=0
Regulation				5	%	
Under-Voltage Falling Threshold			87.5		%	
VDDIO Regulator						
VRAMSET0	VDDIO VOLTAGE SETTING OVA#=1					
VRAMSET1		VRAMSET1		VRAMSET0		
	2.5V	0		0		
	2.6V	0		1		
	2.7V	1		0		
	2.8V	1		1		
	VDDIO VOLTAGE SETTING OVA#=0					
		VRAMSET1		VRAMSET0		
	2.55V	0		0		
	2.65V	0		1		
	2.75V	1		0		
2.85V	1		1			
Under-Voltage Falling Threshold			84		%	
Regulation				5	%	

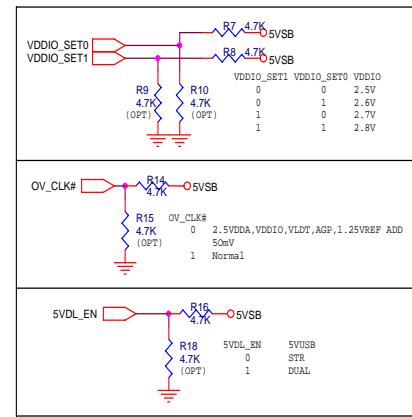
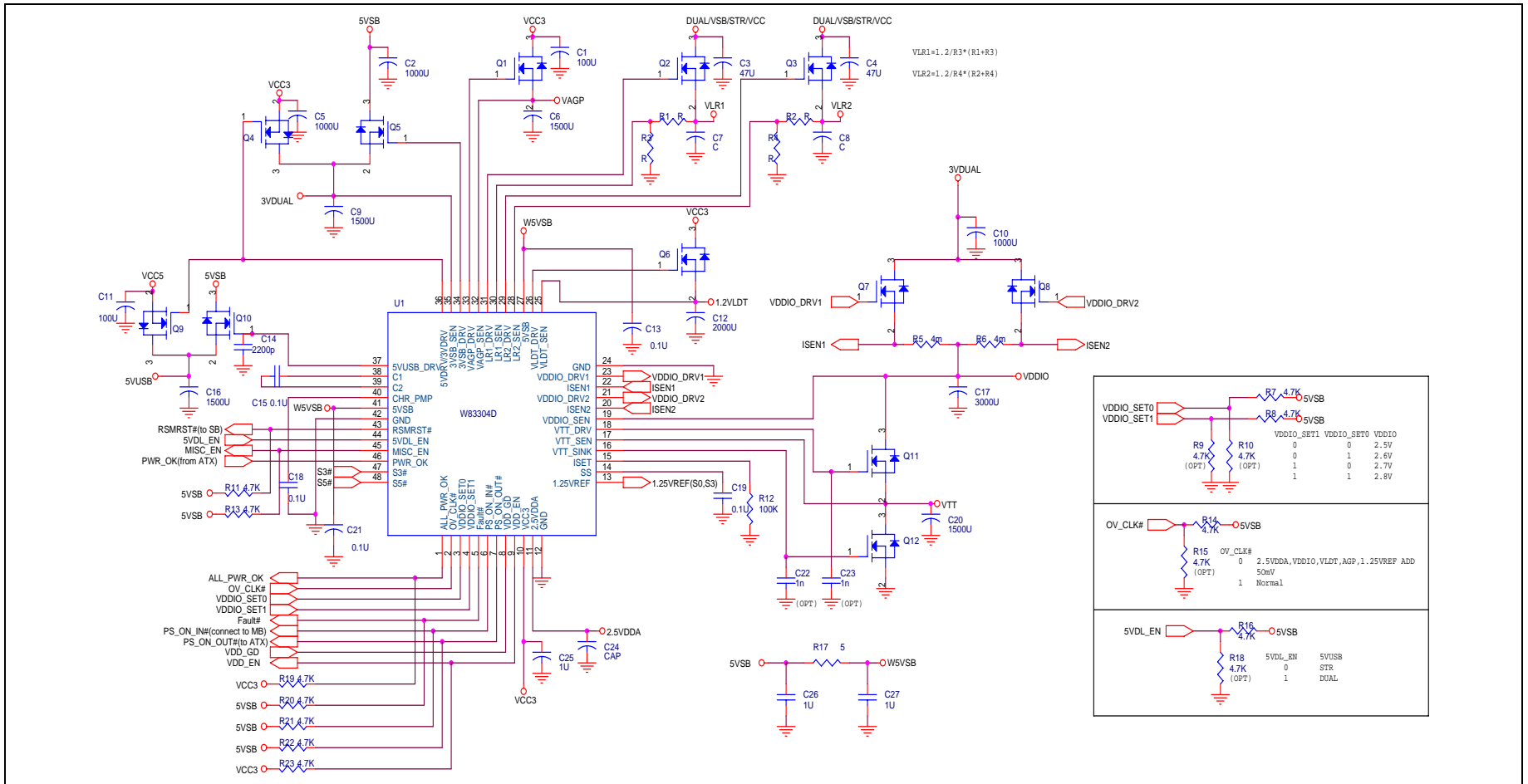


AC CHARACTERISTICS, continued

V_{cc}=5V ± 5 %, T_A = 0°C to +70°C						
PARAMETER	SYMBOL	MIN	TYP	MAX	UNITS	TEST CONDITIONS
2.5VDDA						
Nominal Output Voltage			2.5			I _{load} < 200mA; OVA#=1
Nominal Output Voltage			2.55			I _{load} < 200mA; OVA#=0
Bus Terminator						
Nominal Output Voltage / V(VRAM2.5_SEN)			50		%	Regulate a 1.25V for DDR bus termination Half of VDDIO voltage
Nominal Output Voltage			1.25		V	
5VDUAL Switch Controller						
5VDRV Output High Voltage		9				Cap Loading
5VSBDRV Output High Voltage		9				Cap Loading
5VUSB SS Sourcing Current			2.5		uA	@ Soft-start
3.3VDual						
Under-Voltage Falling Threshold			78.79		%	
5VDRV Output High Voltage		9			V	
3VSBDRV		3.3				Regulation
Charge Pump						
Charge Pump Frequency			180		KHz	
Charge Pump Voltage		9.5				
Two linear regulator						
Nominal Output Voltage	Linear regulator from 1.2V~5V					

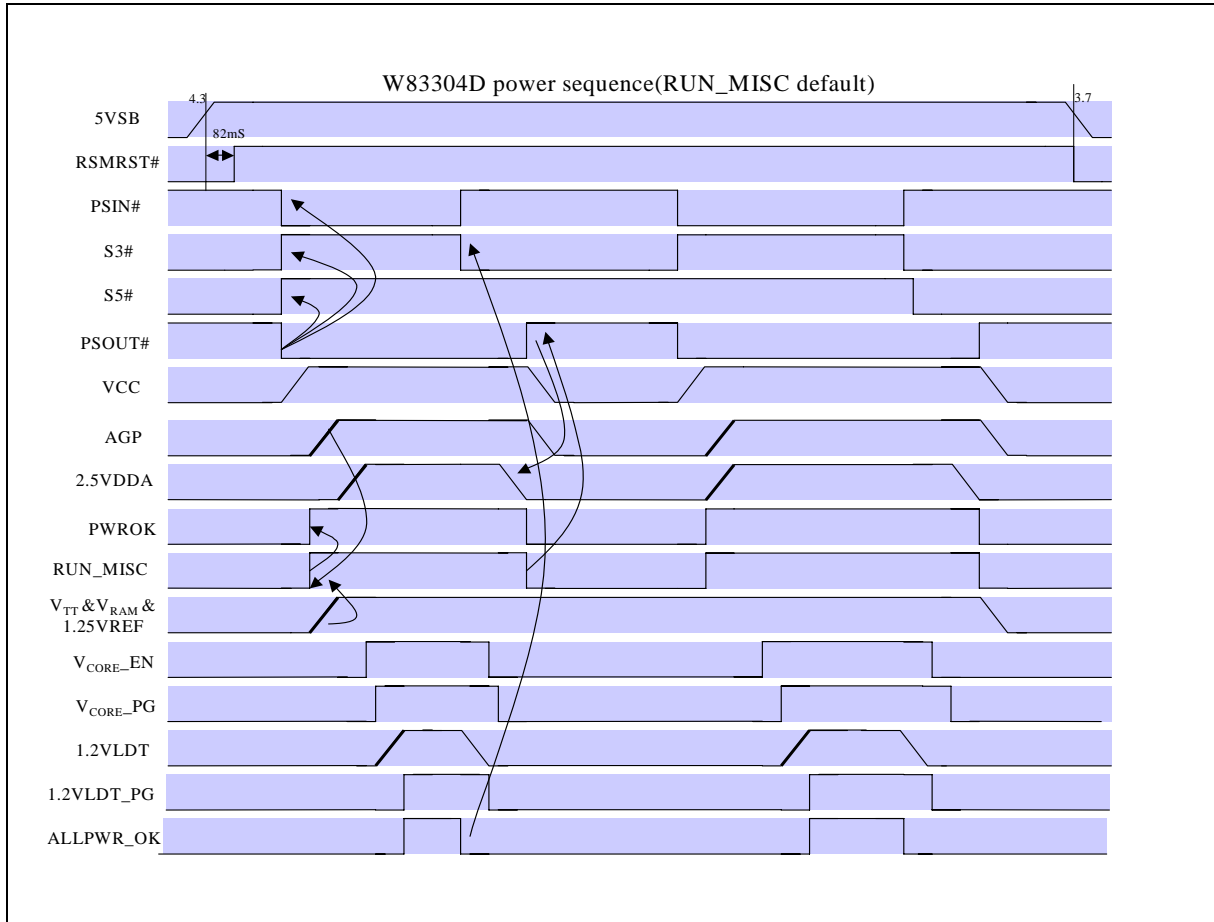


6. APPLICATION CIRCUIT





7. POWER SEQUENCE



Note:

1. When at power up sequence, the delay time between adjacent power planes is 5ms after the previous power plane is power-good.
2. When at power down sequence, the delay time between adjacent power planes is 20ms after the previous power plane is power-down.
3. After 1.2VLDT_PG=H and delay 20ms, the ALLPWR_OK will be High(ALLPWR_OK=H).
4. All "LUV" detect is enabled after the power plane have power-good.

W83304D/W83304G



8. ORDERING INSTRUCTION

PART NO.	PACKAGE	REMARKS
W83304D	48-pin LQFP	
W83304G	48-pin LQFP	Pb-free package

9. HOW TO READ THE TOP MARKING



1st Line: Winbond Logo

2nd Line: Part_No W83304D, W83304G (Pb-free package)

3rd Line: lot no

4th Line: tracking code 310GBRA

310 : date code, 310 means package was made in '03 week 10

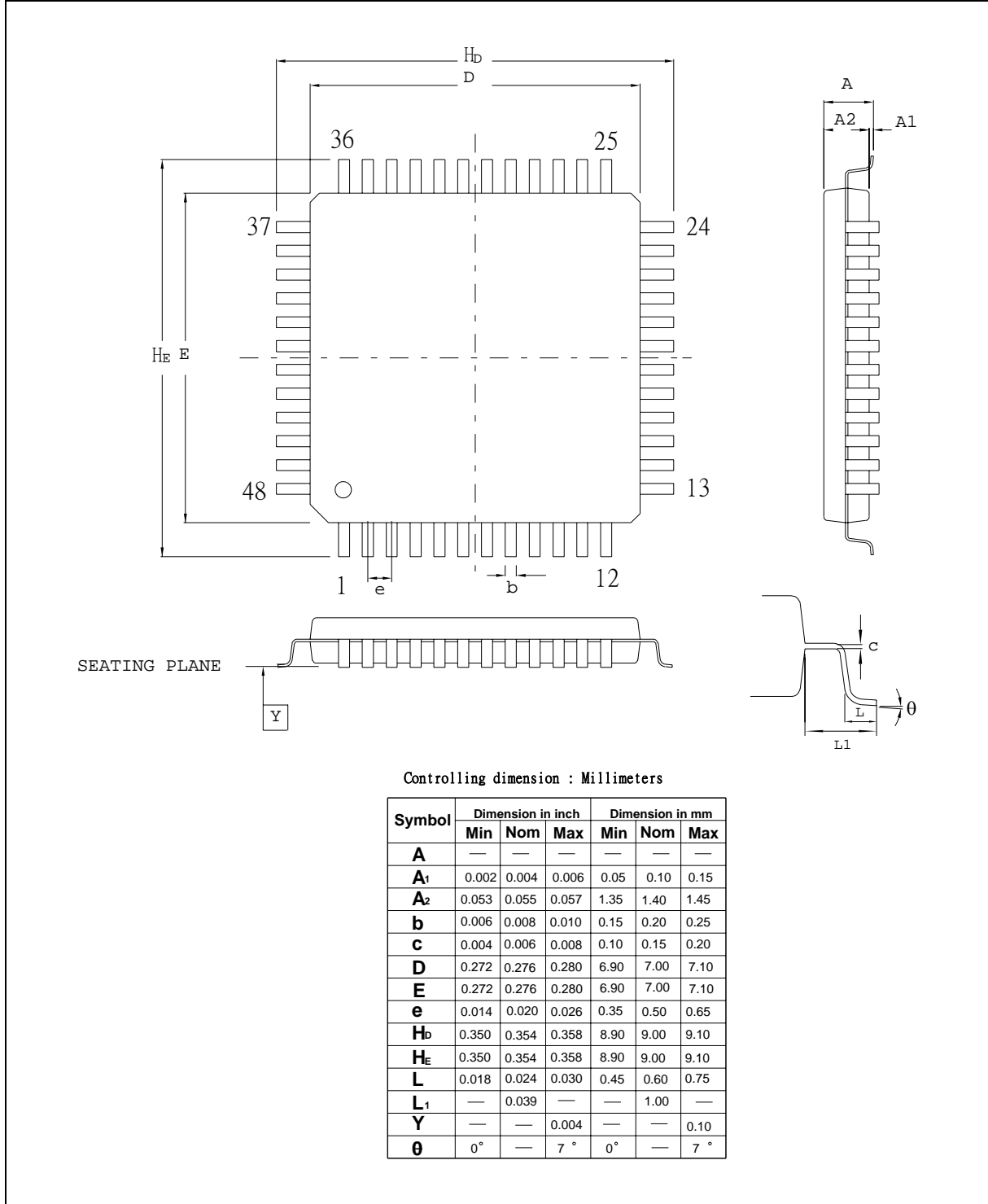
G : Assembly ID, G means GR, A means ASE...etc.

B : Chip Version, A means version A, B means version B

RA : Winbond internal use



10. PACKAGE DIMENSION



W83304D/W83304G



Please note that all data and specifications are subject to change without notice. All the trademarks of products and companies mentioned in this data sheet belong to their respective owners.

Important Notice

Winbond products are not designed, intended, authorized or warranted for use as components in systems or equipment intended for surgical implantation, atomic energy control instruments, airplane or spaceship instruments, transportation instruments, traffic signal instruments, combustion control instruments, or for other applications intended to support or sustain life. Further more, Winbond products are not intended for applications wherein failure of Winbond products could result or lead to a situation wherein personal injury, death or severe property or environmental damage could occur.

Winbond customers using or selling these products for use in such applications do so at their own risk and agree to fully indemnify Winbond for any damages resulting from such improper use or sales.

*Please note that all data and specifications are subject to change without notice.
All the trademarks of products and companies mentioned in this datasheet belong to their respective owners.*