

GPIB

TNT5002™ Technical Reference Manual

PCI to GPIB High-Performance Non-Controller

Worldwide Technical Support and Product Information

ni.com

National Instruments Corporate Headquarters

11500 North Mopac Expressway Austin, Texas 78759-3504 USA Tel: 512 683 0100

Worldwide Offices

Australia 1800 300 800, Austria 43 0 662 45 79 90 0, Belgium 32 0 2 757 00 20, Brazil 55 11 3262 3599, Canada (Calgary) 403 274 9391, Canada (Ottawa) 613 233 5949, Canada (Québec) 450 510 3055, Canada (Toronto) 905 785 0085, Canada (Vancouver) 514 685 7530, China 86 21 6555 7838, Czech Republic 420 224 235 774, Denmark 45 45 76 26 00, Finland 385 0 9 725 725 11, France 33 0 1 48 14 24 24, Germany 49 0 89 741 31 30, Greece 30 2 10 42 96 427, India 91 80 51190000, Israel 972 0 3 6393737, Italy 39 02 413091, Japan 81 3 5472 2970, Korea 82 02 3451 3400, Malaysia 603 9131 0918, Mexico 001 800 010 0793, Netherlands 31 0 348 433 466, New Zealand 0800 553 322, Norway 47 0 66 90 76 60, Poland 48 22 3390150, Portugal 351 210 311 210, Russia 7 095 783 68 51, Singapore 65 6226 5886, Slovenia 386 3 425 4200, South Africa 27 0 11 805 8197, Spain 34 91 640 0085, Sweden 46 0 8 587 895 00, Switzerland 41 56 200 51 51, Taiwan 886 2 2528 7227, Thailand 662 992 7519, United Kingdom 44 0 1635 523545

For further support information, refer to the *Technical Support and Professional Services* appendix. To comment on the documentation, send email to techpubs@ni.com.

Important Information

Warranty

The TNT5002 is warranted against defects in materials and workmanship for a period of one year from the date of shipment, as evidenced by receipts or other documentation. National Instruments will, at its option, repair or replace equipment that proves to be defective during the warranty period. This warranty includes parts and labor.

The media on which you receive National Instruments software are warranted not to fail to execute programming instructions, due to defects in materials and workmanship, for a period of 90 days from date of shipment, as evidenced by receipts or other documentation. National Instruments will, at its option, repair or replace software media that do not execute programming instructions if National Instruments receives notice of such defects during the warranty period. National Instruments does not warrant that the operation of the software shall be uninterrupted or error free.

A Return Material Authorization (RMA) number must be obtained from the factory and clearly marked on the outside of the package before any equipment will be accepted for warranty work. National Instruments will pay the shipping costs of returning to the owner parts which are covered by warranty.

National Instruments believes that the information in this document is accurate. The document has been carefully reviewed for technical accuracy. In the event that technical or typographical errors exist, National Instruments reserves the right to make changes to subsequent editions of this document without prior notice to holders of this edition. The reader should consult National Instruments if errors are suspected. In no event shall National Instruments be liable for any damages arising out of or related to this document or the information contained in it.

EXCEPT AS SPECIFIED HEREIN, NATIONAL INSTRUMENTS MAKES NO WARRANTIES, EXPRESS OR IMPLIED, AND SPECIFICALLY DISCLAIMS ANY WARRANTY OF MERCHANTABILITY OR FITNESS FOR A PARTICULAR PURPOSE. CUSTOMER'S RIGHT TO RECOVER DAMAGES CAUSED BY FAULT OR NEGLIGENCE ON THE PART OF NATIONAL INSTRUMENTS SHALL BE LIMITED TO THE AMOUNT THERETOFORE PAID BY THE CUSTOMER. NATIONAL INSTRUMENTS WILL NOT BE LIABLE FOR DAMAGES RESULTING FROM LOSS OF DATA, PROFITS, USE OF PRODUCTS, OR INCIDENTAL OR CONSEQUENTIAL DAMAGES, EVEN IF ADVISED OF THE POSSIBILITY THEREOF. This limitation of the liability of National Instruments will apply regardless of the form of action, whether in contract or tort, including negligence. Any action against National Instruments must be brought within one year after the cause of action accrues. National Instruments shall not be liable for any delay in performance due to causes beyond its reasonable control. The warranty provided herein does not cover damages, defects, malfunctions, or service failures caused by owner's failure to follow the National Instruments installation, operation, or maintenance instructions; owner's modification of the product; owner's abuse, misuse, or negligent acts; and power failure or surges, fire, flood, accident, actions of third parties, or other events outside reasonable control.

Copyright

Under the copyright laws, this publication may not be reproduced or transmitted in any form, electronic or mechanical, including photocopying, recording, storing in an information retrieval system, or translating, in whole or in part, without the prior written consent of National Instruments Corporation.

Trademarks

HS488™, National Instruments™, NI™, ni.com™, NI-488.2™, NI-488DDK™, TNT4882™, TNT488C™, and TNT5002™ are trademarks of National Instruments Corporation.

Product and company names mentioned herein are trademarks or trade names of their respective companies.

Patents

For patents covering National Instruments products, refer to the appropriate location: **Help»Patents** in your software, the `patents.txt` file on your CD, or `ni.com/patents`.

WARNING REGARDING USE OF NATIONAL INSTRUMENTS PRODUCTS

(1) NATIONAL INSTRUMENTS PRODUCTS ARE NOT DESIGNED WITH COMPONENTS AND TESTING FOR A LEVEL OF RELIABILITY SUITABLE FOR USE IN OR IN CONNECTION WITH SURGICAL IMPLANTS OR AS CRITICAL COMPONENTS IN ANY LIFE SUPPORT SYSTEMS WHOSE FAILURE TO PERFORM CAN REASONABLY BE EXPECTED TO CAUSE SIGNIFICANT INJURY TO A HUMAN.

(2) IN ANY APPLICATION, INCLUDING THE ABOVE, RELIABILITY OF OPERATION OF THE SOFTWARE PRODUCTS CAN BE IMPAIRED BY ADVERSE FACTORS, INCLUDING BUT NOT LIMITED TO FLUCTUATIONS IN ELECTRICAL POWER SUPPLY, COMPUTER HARDWARE MALFUNCTIONS, COMPUTER OPERATING SYSTEM SOFTWARE FITNESS, FITNESS OF COMPILERS AND DEVELOPMENT SOFTWARE USED TO DEVELOP AN APPLICATION, INSTALLATION ERRORS, SOFTWARE AND HARDWARE COMPATIBILITY PROBLEMS, MALFUNCTIONS OR FAILURES OF ELECTRONIC MONITORING OR CONTROL DEVICES, TRANSIENT FAILURES OF ELECTRONIC SYSTEMS (HARDWARE AND/OR SOFTWARE), UNANTICIPATED USES OR MISUSES, OR ERRORS ON THE PART OF THE USER OR APPLICATIONS DESIGNER (ADVERSE FACTORS SUCH AS THESE ARE HEREAFTER COLLECTIVELY TERMED "SYSTEM FAILURES"). ANY APPLICATION WHERE A SYSTEM FAILURE WOULD CREATE A RISK OF HARM TO PROPERTY OR PERSONS (INCLUDING THE RISK OF BODILY INJURY AND DEATH) SHOULD NOT BE RELIANT SOLELY UPON ONE FORM OF ELECTRONIC SYSTEM DUE TO THE RISK OF SYSTEM FAILURE. TO AVOID DAMAGE, INJURY, OR DEATH, THE USER OR APPLICATION DESIGNER MUST TAKE REASONABLY PRUDENT STEPS TO PROTECT AGAINST SYSTEM FAILURES, INCLUDING BUT NOT LIMITED TO BACK-UP OR SHUT DOWN MECHANISMS. BECAUSE EACH END-USER SYSTEM IS CUSTOMIZED AND DIFFERS FROM NATIONAL INSTRUMENTS' TESTING PLATFORMS AND BECAUSE A USER OR APPLICATION DESIGNER MAY USE NATIONAL INSTRUMENTS PRODUCTS IN COMBINATION WITH OTHER PRODUCTS IN A MANNER NOT EVALUATED OR CONTEMPLATED BY NATIONAL INSTRUMENTS, THE USER OR APPLICATION DESIGNER IS ULTIMATELY RESPONSIBLE FOR VERIFYING AND VALIDATING THE SUITABILITY OF NATIONAL INSTRUMENTS PRODUCTS WHENEVER NATIONAL INSTRUMENTS PRODUCTS ARE INCORPORATED IN A SYSTEM OR APPLICATION, INCLUDING, WITHOUT LIMITATION, THE APPROPRIATE DESIGN, PROCESS AND SAFETY LEVEL OF SUCH SYSTEM OR APPLICATION.

Contents

About This Manual

Product Features	xi
How To Use This Manual.....	xii
Conventions	xiii
Mnemonic Conventions.....	xiv
Related Documentation.....	xv

Chapter 1

Architectural Overview

TNT5002 Block Diagram	1-1
TNT5002 Mode Selection	1-2
FIFO Overview	1-2
DMA Overview	1-3

Chapter 2

Signal Pins

Signal Definitions and Conventions	2-1
GPIB Signals.....	2-2
GPIB Data Signals.....	2-2
GPIB Interface Management Signals	2-2
GPIB Handshake Signals	2-3
Device Signals	2-4
Miscellaneous Signals (All Modes).....	2-4
Miscellaneous Signals (PCI4882 Mode).....	2-5
Indicator Signals.....	2-5
PCI Signals	2-6
Generic Interface Signals.....	2-8
Power/Ground Pins	2-9
PCI4882 Power/Ground Pins	2-9
GEN4882 Power/Ground Pins	2-9

Chapter 3

Register Descriptions

Register Groups	3-1
Register Groups in PCI4882 Mode	3-1
Register Groups in GEN4882 Mode	3-2
PCI4882 Mode Register Map	3-2

GEN4882 Mode Register Map 3-4

TNT5002 Status/Control Register Group 3-5

 TNT5002 Status/Control Registers Sorted by Offset 3-5

 TNT5002 Status/Control Registers Sorted by Mnemonic 3-6

 TNT5002 Status/Control Register Descriptions 3-7

PCI Configuration Registers 3-10

 PCI Configuration Register Map 3-10

 PCI Configuration Register Descriptions 3-11

DMA Status/Control Registers 3-26

 DMA Status/Control Registers Sorted by Offset 3-26

 DMA Status/Control Registers Sorted by Mnemonic 3-27

 DMA Status/Control Register Descriptions 3-28

4882 Register Set 3-45

 4882-Mode Registers Sorted by Offset 3-45

 4882-Mode Registers Sorted by Mnemonic 3-47

 4882-Mode Register Descriptions 3-49

Serial Number Register 3-113

Chapter 4

Functional Description—PCI4882 and GEN4882 Modes

Overview 4-1

GPIB Reset Manager 4-2

 Overview 4-2

 Hardware Resets 4-2

 Register Bit Description 4-3

 Operation 4-4

Talker/Listener Manager 4-6

 Overview 4-6

 Register Bit Definitions 4-6

 Operation 4-10

GPIB Transfer Manager 4-11

 Overview 4-11

 Initialization Phase—Register Bit Definitions 4-12

 Initialization Phase—Operation 4-21

 Data Transfer Phase—Register Bit Definitions 4-23

 Data Transfer Phase—Operation 4-25

 Termination Phase—Register Bit Definitions 4-27

 Termination Phase—Operation 4-29

 Using 8-bit FIFOs 4-29

Device Clear Block 4-30

 Overview 4-30

 Register Bit Definitions 4-30

 Operation 4-31

Device Trigger Block.....	4-33
Overview	4-33
Register Bit Definitions.....	4-33
Operation	4-35
Serial Poll Response Manager	4-36
Overview	4-36
Register Bit Definitions.....	4-36
Operation	4-39
Parallel Poll Response Manager	4-42
Overview	4-42
Register Bit Definitions.....	4-42
Operation	4-44
Remote Local Block	4-46
Overview	4-46
Register Bit Definitions.....	4-46
Operation	4-48
HS488 Manager	4-49
Overview	4-49
Register Bit Description	4-49
Operation	4-57
Timer.....	4-59
Overview	4-59
Register Bit Definitions.....	4-59
Operation	4-61
Interrupts.....	4-63
Overview	4-63
Register Bit Descriptions.....	4-63
Operation	4-65
Debugging Bits	4-66
Overview	4-66
Register Bit Descriptions.....	4-66
Miscellaneous Bits	4-76
Overview	4-76
Rarely Used GPIB Transfer Bits	4-76
Rarely Used Controller Bits	4-78
Rarely Used Interrupt Bits.....	4-79
Rarely Used Addressing Mode Bits.....	4-81
Register Bit Definitions.....	4-81
Operation—Extended Dual Addressing Mode.....	4-83

Chapter 5 DMA Manager

DMA Overview	5-1
Link Chaining Overview	5-2
DMA Transfers.....	5-3
Initialization Phase.....	5-3
Transfer Phase.....	5-4
Termination Phase.....	5-4
Alignment of Data in the DFIFO	5-5

Chapter 6 Serial ROM

Overview	6-1
Serial Autoload.....	6-1
Serial ROM Contents	6-1
PCI Device ID.....	6-2
Serial Number	6-2
Remaining Bytes	6-2
Accessing the EEPROM	6-2
Register Bit Descriptions	6-3

Chapter 7 Clocks

Clock Domains	7-1
PCI4882 Mode.....	7-1
GEN4882 Mode.....	7-1

Chapter 8 Reset Considerations

Hardware Resets	8-1
PCI Reset (PCI4882 Mode Only)	8-1
Generic Reset (GEN4882 Mode Only)	8-1
Software Resets	8-2
GPIB Software Reset (PCI4882 Mode Only)	8-2
GPIB Hardware Reset (PCI_4882 Mode).....	8-2
GPIB pon (All Modes).....	8-2
GPIB Reset (All Modes).....	8-2
DMA Reset (PCI4882 Mode)	8-3
Power-on Considerations	8-3

Appendix A
Electrical Specifications and Timing

Appendix B
Mechanical Information

Appendix C
GPIB Remote Messages

Appendix D
Technical Support and Professional Services

About This Manual

The TNT5002 is high performance GPIB interface that supports the following two modes of usage (refer to Chapter 1, *Architectural Overview*, for a complete description of different modes):

- PCI4882 mode—In this mode, the TNT5002 is able to run all NI-488.2 based drivers developed for the PCI-GPIB unmodified. This mode is functionally equivalent to One-chip mode in the NI TNT4882 with a PCI interface. This is the default mode for the TNT5002.
- GEN4882 mode—In this mode, the TNT5002 is functionally equivalent to One-chip mode in the NI TNT4882/TNT4882C. Any application written for the TNT4882/TNT4882C in mode will run unmodified on the TNT5002.

The TNT5002 implements *IEEE 488.1* Interface Functions SH1, AH1, T5, TE5, L3, LE3, SR1, RL1, PP1, PP2, DC1, and DT1. The TNT5002 also implements HS488 Interface Functions AHE1, SHE1, and CF1.

The TNT5002 implements Controller function C0, allowing no Controller capability in any mode.

A DMA Controller with a 64-byte FIFO may be used in PCI4882 mode. This may be used in addition to the 32-byte GPIB FIFO, effectively making a 96-byte FIFO.

The TNT5002 also implements *IEEE 488.1* Electrical Driver/Receiver Capability E2 (three-state drivers).

Product Features

- Complies with *PCI Local Bus Specification, Revision 2.1* or *2.2*
- Complies with *IEEE 488.1 Standard Digital Interface for Programmable Instrumentation* and *IEEE 488.2*
- Complete backwards compatibility with software written using NI-488.2, NI-488DDK, or NI-Device
- Complies with HS488¹

¹ Assuming PCI4882 or GEN4882 modes

- PCI Bus-master¹
- Auto-negotiating handshake, can use HS488 capable instruments and non-HS488 instruments simultaneously¹
- Automatic GPIB EOS and/or NL remote message detection
- 144-pin PQFP package or 256 Fine-pitch BGA package
- 3.3V core
- 3.3V or 5V PCI/Generic interface signaling environments
- Integrated *IEEE 488.1* compliant three-state GPIB transceivers
- Can use PCI clock or external 40 MHz clock for GPIB circuitry (40 MHz external clock required for maximum transfer rates and all HS488 transfers)
- 32-bit PCI or 16/8-bit generic interface
- 64-byte PCI DMA FIFO¹
- 32-byte GPIB FIFO¹
- Transfer rates up to 8 Mbytes/s using HS488¹
- Transfer rates up to 1.5 Mbytes/s using *IEEE 488.1* handshake
- TNT5002 performs the following *IEEE 488.1* Interface Functions: SH1, AH1, T5, TE5, L3, LE3, SR1, RL1, PP1, PP2, DC1, DT1, C0
- TNT5002 performs HS488 Functions AHE1, SHE1, and CF1¹
- NI TNT4882 One-chip compatible register set
- Indicator pins: REM, talk addressed, listen addressed
- Synchronous design

How To Use This Manual

This manual is designed for use in two ways. Chapter 3, *Register Descriptions*, contains a listing of registers sorted first by group and then alphabetically. Chapter 4, *Functional Description—PCI4882 and GEN4882 Modes*, contains different sections addressing different GPIB concepts, such as parallel polling and GPIB data transfers.


Users who are very familiar with the register set may find Chapter 3, *Register Descriptions*, easier to use because specific registers are easy to find. Users who are less familiar may find Chapter 4, *Functional Description—PCI4882 and GEN4882 Modes*, easier because all of the

¹ Assuming PCI4882 mode

register bits needed to perform a certain GPIB function are often located in different registers.

Conventions

The following conventions appear in this manual:

- » The » symbol leads you through nested menu items and dialog box options to a final action. The sequence **File»Page Setup»Options** directs you to pull down the **File** menu, select the **Page Setup** item, and select **Options** from the last dialog box.
- # The pound sign indicates a signal is active low. Active low signals are logically asserted when in a low state; such as a pin being grounded or a register bit being 0.
- + The plus symbol is a logical binary OR operator.
- & The ampersand symbol is a logical binary AND operator.
- ~ The tilde is a logical unary negation operator.
- * The asterisk is the multiplication operator.
-  This icon denotes a note, which alerts you to important information.
- active-low Active-low means that the signal should be at a logic low state to be asserted. For example, RST# is an active-low signal that resets various internal registers. The registers are reset when RST# is at logic 0 (ground).
- byte 8 bits
- DMA DMA is an acronym for Direct Memory Access. In the TNT5002, DMA is used to transfer data automatically between system memory and the GPIB FIFO. During DMA transfers, a DMA controller initiates register accesses.
- dword 32 bits
- IEEE 488.1 and IEEE 488.2 *IEEE 488.1* and *IEEE 488.2* refer to the ANSI/IEEE Standard 488.1-1987 and the ANSI/IEEE Standard 488.2-1992, respectively, which define the GPIB.
- italic* Italic text denotes variables, emphasis, a cross reference, or an introduction to a key concept. This font also denotes text that is a placeholder for a word or value that you must supply.

`monospace` Text in this font denotes text or characters that you should enter from the keyboard, sections of code, programming examples, and syntax examples. This font is also used for the proper names of disk drives, paths, directories, programs, subprograms, subroutines, device names, functions, operations, variables, filenames, and extensions.

`word` 16 bits

Mnemonic Conventions

There are many mnemonics that appear in this manual. Some mnemonics are spelled identically but may differ in case; some are all capitalized and some are all lower case. The following guidelines describe the naming convention used:

Convention	Examples
Register mnemonics are capitalized.	CHOR, CFG, PCIDR
Register bit mnemonics are capitalized.	ADSR[LPAS], DCR[BERHAND]
Register bit mnemonics are prefixed by the register in which they are accessed, except when they are used in the bit descriptions of the registers in which the bit is accessed.	CHSR[ERROR], CFG[CCEN]
A mnemonic for a register bit may refer to a bit in more than one register. This is clarified by prefixing a bit mnemonic with the register in which the bit is accessed.	CHSR[INT], ISR3[INT]
Similar bits in a given register may be grouped together and indexed with brackets.	PPR[LPPE[3:0]], CHCR[SWAP[1:0]]
One bit of a group of similar bits in a given register may be indexed without brackets.	PPR[LPPE2], CHCR[SWAP0]
Signal pins are capitalized.	FRAME#, DAV#, SCL
GPIB local messages as defined in <i>IEEE 488.1</i> are lower case.	rdy, nba
GPIB remote messages as defined in <i>IEEE 488.1</i> are capitalized.	TCT, DCL
All GPIB signal pin names are suffixed with #.	DAV#, NRFD#
All AUXCR, AUXMR, and CMDR commands are capitalized.	IFC, ~IST

Convention	Examples
All <i>IEEE 488.1</i> state machine state names are capitalized.	SDYS, CIDS
The indexing brackets may be left off a bus name if the entire bus is the subject of the context.	DIO#, AD

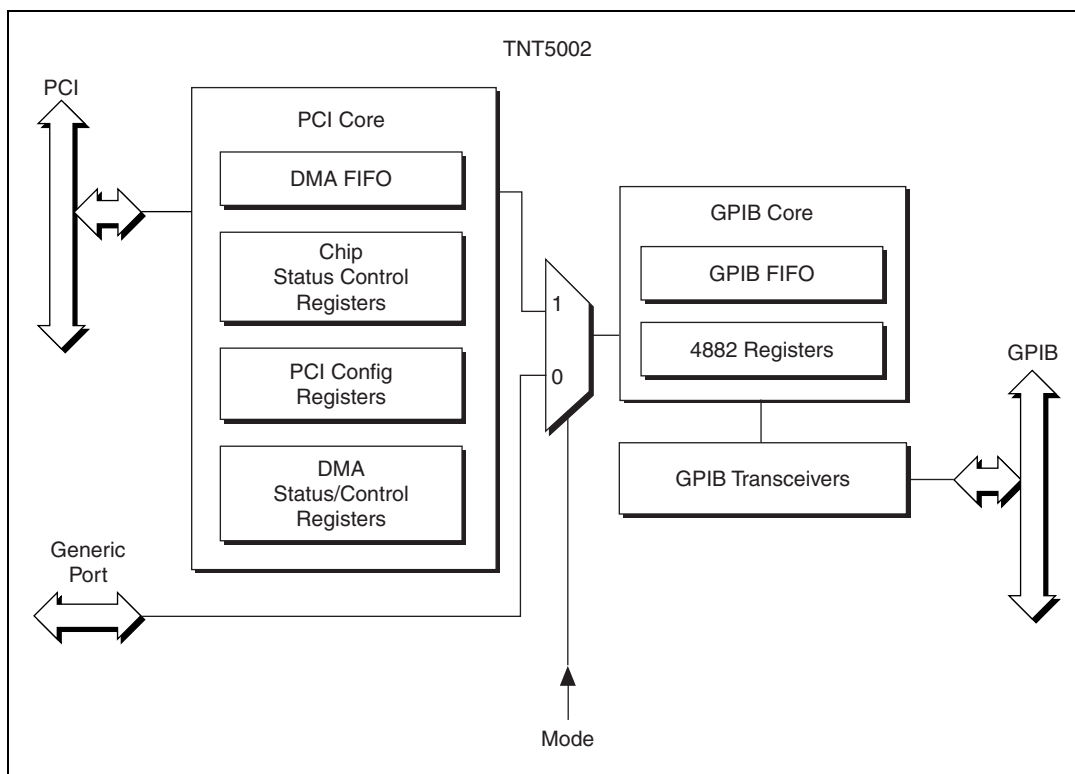
Related Documentation

The following documents contain information that you might find helpful as you read this manual:

- ANSI/IEEE Standard 488.1-1987, *IEEE Standard Digital Interface for Programmable Instrumentation*
- ANSI/IEEE Standard 488.2-1992, *IEEE Standard Codes, Formats, Protocols, and Common Commands*

Architectural Overview

TNT5002 Block Diagram



TNT5002 Mode Selection

There are two distinct modes of operation in the TNT5002. PCI4882 and GEN4882 modes implement the TNT4882 One-chip register set. This register set can be accessed through a generic IO interface or a PCI interface. PCI4882 mode implements a PCI bus-master interface. GEN4882 mode implements a generic IO interface. The two different modes of operation are outlined in the following table. The interface must be selected by the MODE pin and must not be changed dynamically since the pinout is significantly different between interfaces.

Mode	User Configuration		TNT5002 Features		
	MODE Pin	Reset Command	GPIB Register Set	Interface	Total FIFO Depth (Bytes)
PCI4882	3.3V	CMDR[SOFT_RESET]	4882	PCI	64 + 32
GEN4882	GND	CMDR[SOFT_RESET]	4882	Generic	32

FIFO Overview

If the TNT5002 is in PCI4882 mode, there are two FIFOs: a 32-byte FIFO connected to the GPIB and a 64-byte FIFO connected to the PCI bus.

The 32-byte GPIB FIFO (GFIFO) is used for both GPIB reads and writes. It can be written to and read from simultaneously by the DMA Controller and Source/Acceptor GPIB state machines.

The 64-byte DMA FIFO (DFIFO) connected to the PCI bus is used for DMA transfers. This FIFO is connected to the PCI bus on one side and the GFIFO on the other side.

During DMA transfers, bytes are automatically transferred between the DFIFO and GFIFO. The GFIFO should never be directly accessed. The TNT5002 always interprets all DMA accesses between the GFIFO and DMA FIFO as 16-bit operations. During programmed IO (PIO) operations, the DMA FIFO is never accessed, just the GFIFO.

If the TNT5002 is in GEN4882 mode, there is one 32-byte FIFO connected to the GPIB. This FIFO can be accessed through either PIO or DMA.

DMA Overview

If the TNT5002 is in PCI4882 mode, the DMA Controller must be used to maximize transfer rates. The GPIB registers in the TNT5002 are configured in the same manner regardless of whether DMA is used. If DMA is used, the GPIB FIFO should not be directly accessed because the DMA Controller automatically transfers data between the DMA FIFO and GPIB FIFO.

If the TNT5002 is in GEN4882 mode, an external DMA controller can be connected to the TNT5002.

Signal Pins

Signal Definitions and Conventions

Type	Definition
I	Standard input only.
O	Standard output only.
TS	Tristate bi-directional.
STS	Sustained tristate. Active low signal must be pulled high for one cycle when deasserting.
OD	Standard open drain.
PU	Signal is pulled up internally with a 25 k Ω –100 k Ω resistor. Although these pins are pulled up internally, they should also be connected to either 3.3V or GND.
PD	Signal is pulled down internally with a 30 k Ω –90 k Ω resistor. Although these pins are pulled up internally, they should also be connected to either 3.3V or GND.
GT	GPIB Transceiver.

GPIB Signals

The following 16 signals implement the GPIB protocol as described in *IEEE 488.1*. These signals exist in all modes.

GPIB Data Signals

Pin Name	Type	Description
DIO#[8:1]	GT	Data Lines —The eight DIO lines carry command and data messages on the GPIB. All commands and most data bytes use the 7-bit ASCII or ISO code set, leaving the eighth bit, DIO8#, unused or used for parity. However, applications may use DIO8# as a normal data signal for 8-bit data.

GPIB Interface Management Signals

These signals are used for signaling among controllers and devices.

Pin Name	Type	Description
IFC#	GT	Interface Clear —The System Controller asserts IFC# to place all devices into a known quiescent state.
ATN#	GT	Attention —The Controller-in-Charge asserts ATN# when it sends commands and unasserts ATN# when it sends data messages.
SRQ#	GT	Service Request —A device asserts SRQ# to request service from a Controller.
REN#	GT	Remote Enable —The System Controller asserts REN# to enable devices for remote programming.
EOI#	GT	End or Identify —A Talker asserts EOI# to signal the end of data. EOI# is also asserted by the Controller-in-Charge to signal the execution of a parallel poll.

GPIB Handshake Signals

These signals are used to handshake data and command bytes using both 3-wire and HS488 transfer protocols.

Pin Name	Type	Description
DAV#	GT	Data Valid —DAV# indicates whether DIO# is stable and whether devices can safely accept the signals. When a Controller sends commands, it controls DAV#, and when a Talker sends data it controls DAV#.
NRFD#	GT	Not Ready for Data —NRFD# indicates whether a Listener is ready to receive a data byte. NRFD# is driven by all active Listeners when a Talker is sending data or by all devices when the Controller is sending commands. NRFD# is also used by the Talker to control HS488 transfers.
NDAC#	GT	Not Data Accepted —NDAC# indicates whether all devices have accepted the byte for which DAV# was most recently asserted. NDAC# is driven by all active Listeners when a Talker is sending data or by all devices when a Controller is sending commands.

Device Signals

Miscellaneous Signals (All Modes)

Pin Name	Type	Description
EXT_CLK	I	GPIB Circuitry Clock —This clock may be used for the GPIB circuitry. It should be driven by an external oscillator at 40MHz. In PCI4882 or PCI9914 modes this pin must remain undriven if USE_PCI_CLK is asserted because the GPIB circuitry will be clocked by PCI_CLK.
TRIGGER	O	Trigger —The trigger pin is asserted when the DT state machine is in DTAS. DTAS is entered after receiving the Group Execute Trigger (GET) command as an Addressed Listener, or after writing AUXMR[TRIG]. TRIGGER unasserts after either leaving DTAS or three clock cycles after writing AUXMR[TRIG].
SRQ_OE#	I, PU	SRQ# Output Enable —This debugging pin asynchronously enables the SRQ# transceiver when asserted. The logic state is then determined by SRQ_DATA. This pin must be unasserted for normal operation.
SRQ_DATA	I, PU	SRQ# Data Input —When SRQ_OE# is asserted this debugging pin determines the drive state of the SRQ# transceiver. Asserting this pin causes the SRQ# transceiver to drive SRQ# actively false. Unasserting this pin causes the SRQ# transceiver to drive SRQ# actively true.

Miscellaneous Signals (PCI4882 Mode)

Pin Name	Type	Description
USE_ROM	I, PU	Use Serial Rom —This pin determines if the TNT5002 loads a PCI Device ID and serial number from the serial ROM. If this pin is asserted, serial autoload occurs. If this pin is unasserted, serial autoload does not occur.
SCL	O	Serial ROM Clock Pin —This clock is generated by the TNT5002 and connected to the clock input of a serial ROM. The frequency of this clock is approximately 65 kHz when PCI_CLK is 33 MHz.
SDA	TS, PU	Serial ROM Data Pin —This bidirectional data pin is the serial data line between the TNT5002 and serial ROM. This pin is an output when writing to the serial ROM and an input when reading from the serial ROM.
DIS_SUBSYS	I, PU	Disable PCI SUBSYSTEM ID —If this pin is asserted, reading the PCI SUBSYSTEM ID returns 0x00000000. If this pin is actively driven low, reading the PCI SUBSYSTEM ID register returns the same value as the PIDR.
USE_PCI_CLK	I	Use PCI Clock —When this pin is asserted, the GPIB circuitry is clocked by the PCI_CLK. If this pin is unasserted, the GPIB circuitry is clocked by EXT_CLK.

Indicator Signals

These pins indicate various states of the GPIB state machines. These are general purpose outputs and can be used to drive an LED, for example. These signals exist in all modes.

Pin Name	Type	Description
LADCS	O	Active Listener —This pin asserts when the Listener state machine is in LADS or LACS. This pin reflects the state of ADSR[LA].
TADCS	O	Active Talker —This pin asserts when the Talker state machine is in TADS, TACS, or SPAS. This pin reflects the state of ADSR[LA].
REMT	O	Remote Enabled —This pin asserts when the Remote/Local state machine is in REMS or RWLS. This pin reflects the state of ISR2[REM].

PCI Signals

These signals implement a PCI interface. These signals only exist in PCI4882 mode. In GEN4882 mode, these pins have different functionality.

Pin Name	Type	Description
PCL_CLK	I	PCI Clock —This is the clock input from the PCI bus.
AD[31:0]	TS	PCI Address/Data —These signals are the multiplexed PCI address and data bus.
C/BE#[3:0]	TS	Command/Byte Enable —These signals are the multiplexed command and byte enables. During the PCI address phase C/BE# conveys the type of transfer taking place. Following the address phase, C/BE# indicates whether valid data is present on the four byte lanes of the AD bus.
PAR	TS	Parity —PAR carries the even parity over the AD and C/BE# buses during address and data phases. The device that drives AD and CBE# also drives PAR. PAR is valid one clock cycle after AD and C/BE# are valid.
FRAME#	STS	Frame —A PCI master asserts FRAME# to indicate the beginning and duration of a transaction. FRAME# assertion indicates the beginning of a PCI transaction. Data transactions can continue while FRAME# is asserted. FRAME# unassertion indicates the final data phase requested by the initiator.
IRDY#	STS	Initiator Ready —IRDY# is driven by the initiator of a transaction to indicate the initiator's ability to complete the current data phase. During a write transaction, IRDY# is asserted when valid data is driven onto the AD bus. During a read, IRDY# is asserted when the initiator is able to accept data for the current data phase.
TRDY#	STS	Target Ready —TRDY# is driven by the target of a transaction to indicate the target's ability to complete the current data phase. During a write transaction, TRDY# is asserted when the target is able to accept data for the current data phase. During a read, TRDY# is asserted when the target is driving valid data onto the AD bus.

Pin Name	Type	Description
DEVSEL#	STS	Device Select —DEVSEL# is asserted by the target to indicate that the device is accepting the transaction.
STOP#	STS	Stop —This signal is driven by the target to request that the initiator stop the current transaction.
IDSEL	STS	Initialization Device Select —This signal is used as the chip select for Type 0 PCI configuration accesses to PCI configuration space.
PERR#	STS	Parity Error —PERR# is asserted when a parity error is detected. PERR# can be asserted by the target during a write transaction and by the initiator during a read transaction.
SERR#	TS	System Error —SERR# is asserted to indicate a serious system problem or a parity error during the address phase of a data transfer.
REQ#	TS	Bus Request —REQ# is asserted to request access to the bus.
GNT#	I	Bus Grant —GNT# is asserted to grant access to the bus.
INTA#	TS	Interrupt —This signal is asynchronously asserted to interrupt the CPU.
PCI_RST#	I	PCI Reset —This signal is used to initialize the device to a known state. While PCI_RST# is asserted all PCI and GPIB signals are tri-stated. PCI_RST# must be asserted during power-up to ensure that the GPIB signals do not glitch when connected to another device.

Generic Interface Signals

These signals implement a generic bus interface. These signals only exist in GEN4882 mode. In PCI4882 mode, these pins have different functionality.

Pin Name	Type	Description
DACK#	I	DMA Acknowledge —DACK#, along with IORD# or IOWT#, asserts during DMA accesses.
CS#	I	Chip Select —CS#, along with IORD# or IOWT#, asserts during IO accesses.
DRQ	O	DMA Request —DRQ is asserted to request a DMA transfer.
HWORD#	I	16-Bit Access —HWORD# is asserted during 16-bit register accesses and unasserted for 8-bit register accesses. HWORD# is ignored during DMA accesses.
INT	TS	Interrupt —INT asserts when an enabled interrupt condition is true.
IOA[6:0]	I	Address —IOA selects a register during IO accesses.
IOD[15:0]	IO	Data —IOD is the 16-bit bi-directional data bus used for DMA and IO accesses. During 8-bit writes data must be on the lower 8 bits. During 8-bit reads the data will be smeared across both byte lanes. Unused signals in 8-bit mode should not be left floating.
IORD#	I	Read —IORD# is asserted to indicate an IO or DMA read.
IOWT#	I	Write —IOWT# is asserted to indicate an IO or DMA write.
RESET#	I	Reset —RESET# resets the chip to its initial power-on state. RESET# also asynchronously tri-states the GPIB transceivers.

Power/Ground Pins

The location of power and ground pins are the same among all modes, although the meaning of the pins changes slightly.

PCI4882 Power/Ground Pins

The following pins supply power to the TNT5002 in PCI4882 mode.

Pin Name	Description
3.3V	Core/GPIB Transceiver Power —These pins provide power for the digital core and all output signal pins except PCI signals. These pins must be connected to a 3.3V source. If not connected directly to the PCI 3.3V power rail, the 3.3V supply they are connected to cannot vary by more than 170mV. If these pins are connected to the PCI 3.3V rail, that rail may vary according to the PCI Specification.
VIO	PCI Transceiver Power —These pins provide power for the PCI Transceivers. These must be connected to 3.3V or 5V as allowed by the PCI Specification.
GND	Ground —These pins are ground pins for both power inputs.
VIO_SEL	VIO Comparator —This input is used to determine whether VIO is 3.3V or 5V. This signal is compared against 3.3V and must be directly connected to VIO.

GEN4882 Power/Ground Pins

The following pins supply power to the TNT5002 in GEN4882 mode.

Pin Name	Description
3.3V	Core/GPIB Transceiver Power —These pins provide power for the digital core and all output signal pins except the Generic Interface signals. These pins must be connected to a 3.3V source.
VIO	Generic Interface Transceiver Power —These pins provide power for the Generic Interface Transceivers. The generic interface pins can be powered from either 3.3V or 5V. The voltage connected to VIO is used to drive the generic interface pins.
GND	Ground —These pins are ground pins for both power inputs.

Pin Name	Description
VIO_SEL	VIO Comparator —This input is used to determine whether VIO is 3.3V or 5V. This signal is compared against 3.3V and must be directly connected to VIO.
PWR_GOOD	Power Good —This input must be unasserted while 3.3V is out of the specified operating range. For example, this pin must be unasserted while 3.3V is ramping up as well as ramping down.

Register Descriptions

Register Groups

The following tables group the registers into functional blocks such that all registers in a given block serve a similar function.

Register Groups in PCI4882 Mode

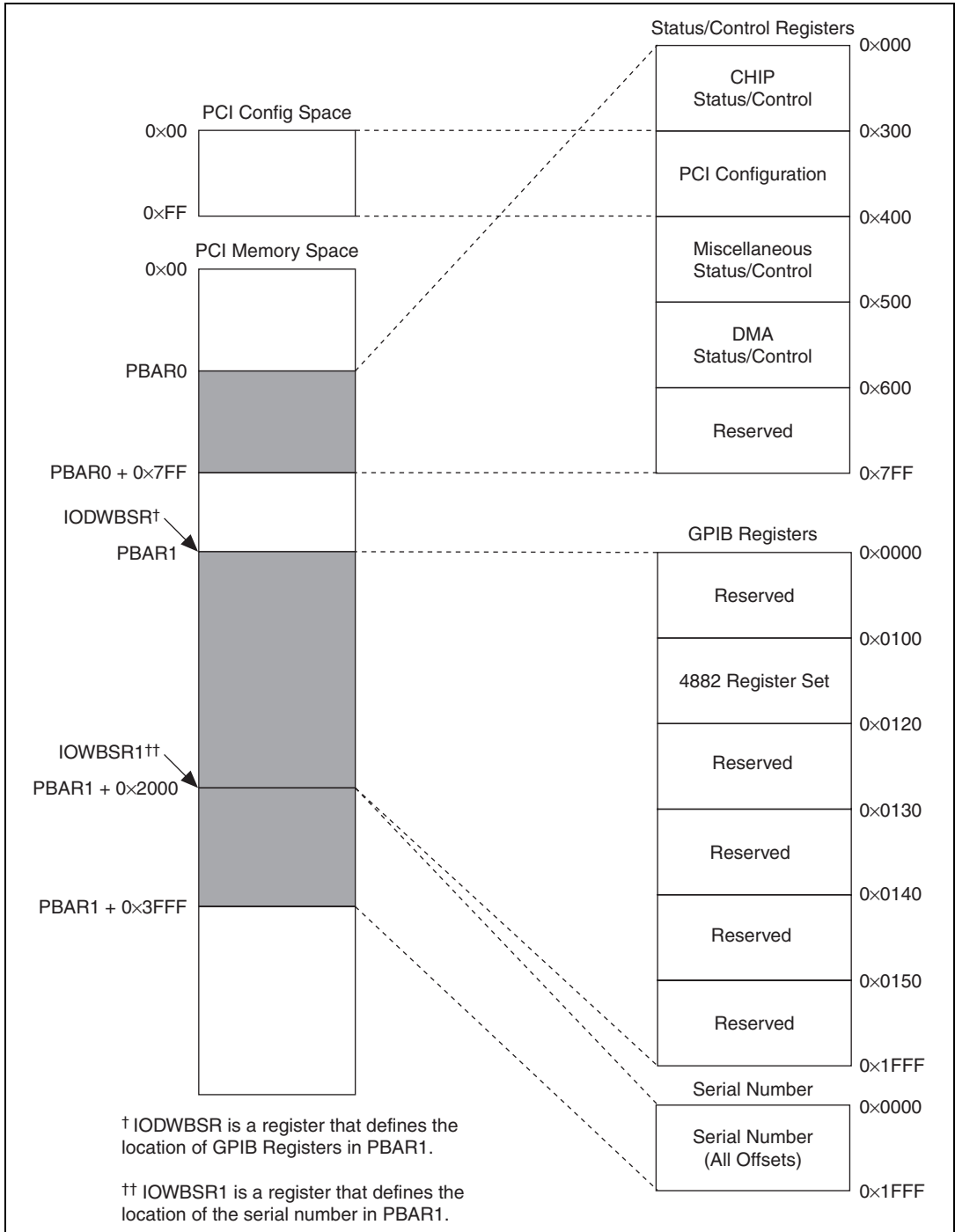
Offset from PBAR0	Register Group
0x000–0x2FF	Chip Status/Control
0x300–0x3FF	PCI Configuration
0x400–0x4FF	Miscellaneous Status/Control
0x500–0x5FF	DMA Status/Control
0x600–0x7FF	Reserved

Offset from PBAR1	Register Group
0x0000–0x00FF	Reserved
0x0100–0x011F	4882 Register Set
0x0120–0x012F	Reserved
0x0130–0x013F	Reserved
0x0140–0x014F	Reserved
0x0150–0x1FFF	Reserved
0x2000–0x3FFF	Serial Number

Register Groups in GEN4882 Mode

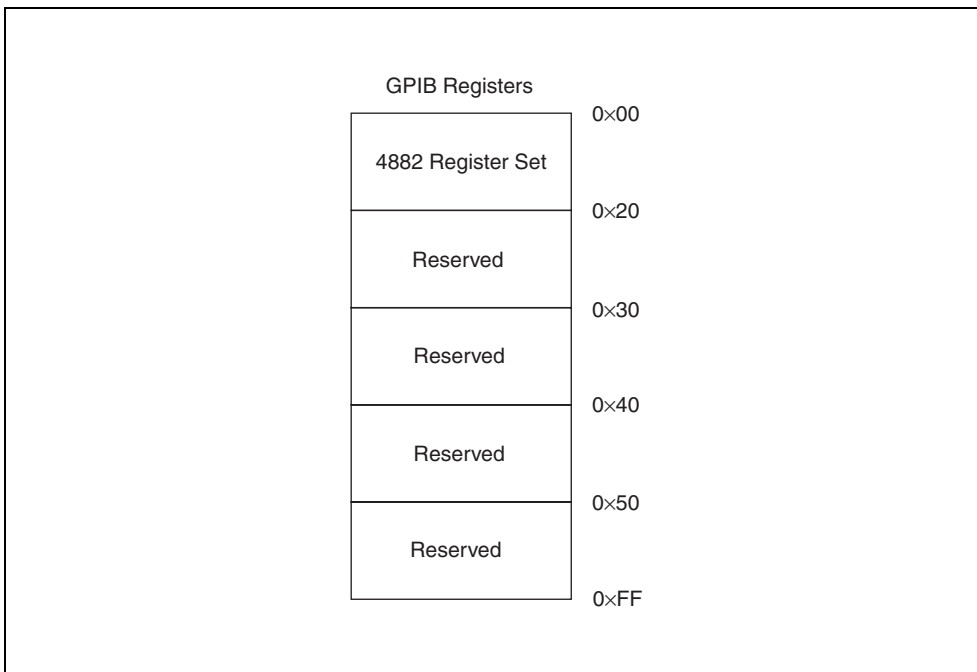
Offset	Register Group
0x00–0x1F	4882 Register Set
0x20–0x2F	Reserved
0x30–0x3F	Reserved
0x40–0x4F	GPIB Test/Status
0x50–0x7F	Reserved

PCI4882 Mode Register Map



GEN4882 Mode Register Map

The following register map is valid when interfacing through generic interface. These registers are accessed by asserting CS# or DACK# and IORD# or IOWR#.



TNT5002 Status/Control Register Group

These registers are only available in PCI4882 mode. This register group is used to control and configure the PCI interface.

TNT5002 Status/Control Registers Sorted by Offset

Registers at offsets not listed are reserved.

Offset from PBAR0	Mnemonic	Write Register	Read Register
0x14	LCISR2	Reserved	Local CPU Interrupt Status 2
0xC0	IODWBSR	IO Device Window Base/Size	IO Device Window Base/Size
0xC4	IOWBSR1	IO Window 1 Base/Size	IO Window 1 Base/Size

TNT5002 Status/Control Registers Sorted by Mnemonic

Registers at offsets not listed are reserved.

Mnemonic	Offset from PBAR0	Write Register	Read Register
IODWBSR	0xC0	IO Device Window Base/Size	IO Device Window Base/Size
IOWBSR1	0xC4	IO Window 1 Base/Size	IO Window 1 Base/Size
LCISR2	0x14	Reserved	Local CPU Interrupt Status 2

TNT5002 Status/Control Register Descriptions

IO Device Window Base Size Register (IODWBSR)

Offset 0xC0 from PBAR0				Reset Value: 0x00000000				Read/Write
BA[31:24]								
31	30	29	28	27	26	25	24	
BA[23:16]								
23	22	21	20	19	18	17	16	
B[15:12]				R	R	R	R	
15	14	13	12	11	10	9	8	
WENAB	R	R	R	R	R	R	R	
7	6	5	4	3	2	1	0	

The IODWBSR determines the address of the GPIB registers. This register must be written with PBAR1 + 0x00000080 to access the GPIB registers.

Mnemonic	Type	Description
BA[31:12]	R/W	Base Address —The base address of the GPIB registers in PCI address space. These bits are only valid when WENAB is set.
WENAB	R/W	Window Enable —If this bit is set, the Window is enabled. If this bit is clear the window is disabled.
R	R/W	Reserved —Always write 0 to these bits. These bits are read as either 0 or 1.

IO Window Base/Size Register 1 (IOWBSR1)

Offset 0xC4 from PBAR0

Reset Value: 0x00000000

Read/Write

BA[31:24]							
31	30	29	28	27	26	25	24
BA[23:16]							
23	22	21	20	19	18	17	16
BA[15:8]							
15	14	13	12	11	10	9	8
WENAB	R	R	WSIZE[4:0]				
7	6	5	4	3	2	1	0

The IODWBSR determines the address of the serial number. This register must be written with PBAR1 + 0x0000208C to access the serial number.

Mnemonic	Type	Description
BA[31:8]	R/W	Base Address —The base address in PCI address space. The number of bits compared is determined by the WSIZE[4:0].
WENAB	R/W	Window Enable —If this bit is set, the Window is enabled. If this bit is clear the window is disabled.
WSIZE[4:0]	R/W	Window Size —These bits determine the size of the serial number window in PBAR1. The size in bytes is $2^{(WSIZE + 1)}$. WSIZE should be set to 01100, indicating the size of the window is 8 kB.
R	R/W	Reserved —Always write 0 to these bits. These bits are read as either 0 or 1.

Local CPU Interrupt Status 2 (LCISR2)

Offset 0x14 from PBAR0				Reset Value: 0x00000000				Read Only
PCIINT	R	R	R	R	R	R	R	
31	30	29	28	27	26	25	24	
R	R	R	R	R	R	R	R	
23	22	21	20	19	18	17	16	
R	R	R	R	R	R	R	R	
15	14	13	12	11	10	9	8	
R	R	R	R	R	R	R	R	
7	6	5	4	3	2	1	0	

This register reflects various interrupts. This register should not be accessed for most applications.

Mnemonic	Type	Description
PCIINT	R	PCI Interrupt —PCIINT is ISR3[INT].
R	R	Reserved —Always write 0 to these bits. These bits are read as either 0 or 1.

PCI Configuration Registers

These registers are only available in PCI4882 mode.

PCI Configuration Register Map

All PCI devices must support a set of configuration registers that control the behavior of the PCI device and provide a consistent location for a PCI device to indicate its status. The PCI specification does support some functionality that is superfluous to the requirements of the TNT5002's PCI interface. The register space, as implemented in the PCI interface, is shown in the following table.

Mnemonic	Offset in PCI Config Space	Offset in Memory Space	Byte 3		Byte 2		Byte 1		Byte 0	
			31	24	23	16	15	8	7	0
PIDR	0x00	PBAR0 + 0x300	Device ID				Vendor ID			
PSCR	0x04	PBAR0 + 0x304	PCI Status				PCI Control			
PCCRDR	0x08	PBAR0 + 0x308	Class Code						Revision ID	
PLIVR	0x0C	PBAR0 + 0x30C	0			Latency Timer		Cache Line Size		
PBAR0	0x10	PBAR0 + 0x310	Base Address Register 0							
PBAR1	0x14	PBAR0 + 0x314	Base Address Register 1							
Reserved	0x18	PBAR0 + 0x318	Reserved							
Reserved	0x1C	PBAR0 + 0x31C	Reserved							
Reserved	0x20	PBAR0 + 0x320	Reserved							
Reserved	0x24	PBAR0 + 0x324	Reserved							
PCISR	0x28	PBAR0 + 0x328	Reserved/CIS Pointer Register							
PSUBR	0x2C	PBAR0 + 0x32C	Subsystem ID				Subsystem Vendor ID			
Reserved	0x30	PBAR0 + 0x330	Reserved							
Reserved	0x34	PBAR0 + 0x334	Reserved							
Reserved	0x38	PBAR0 + 0x338	Reserved							
PLRIDR	0x3C	PBAR0 + 0x33C	Max_Lat		Min_Gnt		Interrupt Pin		Interrupt Line	
PBACOR	0x40	PBAR0 + 0x340	Base Address Configuration Register							
Reserved	0x44	PBAR0 + 0x344	Reserved							
PERCR	0x48	PBAR0 + 0x348	Expansion ROM Configuration Register							

PCI Configuration Register Descriptions

Device ID/Vendor ID Register (PIDR)

Offset 0x00 from PCI Config Space, 0x300 from PBAR0 Reset Value: See Description Read Only

DEVICE_ID[15:8]							
-----------------	--	--	--	--	--	--	--

31 30 29 28 27 26 25 24

DEVICE_ID[7:0]							
----------------	--	--	--	--	--	--	--

23 22 21 20 19 18 17 16

VENDOR_ID[15:8]							
-----------------	--	--	--	--	--	--	--

15 14 13 12 11 10 9 8

VENDOR_ID[7:0]							
----------------	--	--	--	--	--	--	--

7 6 5 4 3 2 1 0

Mnemonic	Type	Description
DEVICE_ID[15:0]	R	Device Identification Number —The default DEVICE_ID of the TNT5002 is 0xC850. The default DEVICE_ID is overwritten from a serial ROM if USE_ROM is asserted or not connected.
VENDOR_ID[15:0]	R	Vendor Identification Number —This sixteen bit value is assigned by the PCI Special Interest Group. National Instruments' PCI Vendor ID number is 0x1093.

PCI Status and Control Register (PSCR)

Offset 0x04 from PCI Config Space, 0x304 from PBAR0 Reset Value: 0x02000000 Read/Write

PERRDT	SERRDT	SMABT	RTABT	STABT	SPEEDA	SPEEDB	PARDT
31	30	29	28	27	26	25	24
FBBC	0	0	0	0	0	0	0
23	22	21	20	19	18	17	16
0	0	0	0	0	0	0	SERREN
15	14	13	12	11	10	9	8
ADSTEP	PERREN	0	MWIEN	0	MSTREN	MEMEN	IOEN
7	6	5	4	3	2	1	0

Bits 31–16 are status bits. The PCI interface sets the bits in these registers. In order to clear a bit in the status register, a PCI device must write a one to the bit. This convention is required by the PCI specification. Bits 15–0 are control bits, and these bits are read/write.

Mnemonic	Type	Description
PERRDT	R/W	Parity Error Detect —This bit is set when the PCI interface detects a parity error even when parity error handling is disabled by clearing PERREN.
SERRDT	R/W	System Error Detected —The PCI interface sets this bit when it asserts SERR#.
SMABT	R/W	Signal Master Abort —The PCI interface sets this bit if it terminates a PCI master cycle with a master abort.
RTABT	R/W	Receive Target Abort —The PCI interface sets this bit to indicate that it received a target abort while performing a PCI master cycle.
STABT	R/W	Signal Target Abort —The PCI interface sets this bit if it terminates a slave cycle with a target abort.

Mnemonic	Type	Description
SPEEDA SPEEDB	R/W	Address Decoding Speed —SPEEDA and SPEEDB are hardwired to 0 and 1, respectively, to indicate that the PCI interface is a medium speed decoder. These bits are set in accordance with the PCI specification requirements. Writes to these bits are ignored.
PARDT	R/W	Parity Detect —The PCI interface sets this bit if three conditions are met: <ul style="list-style-type: none"> • The PCI interface asserted PERR# or detected that PERR# was asserted by another device. • The PCI interface was performing a master cycle when PERR# was asserted. • PERREN is set.
FBBC	R/W	Fast Back-to-Back Capable —This bit is hardwired to 1 indicating that the PCI interface supports fast back-to-back transfers as a PCI slave. Writes to this bit are ignored.
SERREN	R/W	SERR# Enable —Setting this bit permits the PCI interface to assert SERR# during system error conditions. Clearing this bit prevents the PCI interface from asserting SERR#.
ADSTEP	R/W	Address Stepping —This bit is hardwired to 0 to indicate that address or data stepping is not performed. Writes to this bit are ignored.
PERREN	R/W	Parity Error Response Enable —Setting this bit enables the PCI interface to assert PERR# and set PERRDT. If this bit is cleared, the PCI interface must ignore parity errors and continue normal operations.
MWIEN	R/W	Memory Write/Invalidate Enable —Setting this bit allows the PCI interface to initiate memory write and invalidate and memory read line cycles as a PCI master. Clearing this bit makes the PCI interface initiate standard memory write and read cycles.

Mnemonic	Type	Description
MSTREN	R/W	Master Mode Enable —Setting this bit permits the PCI interface to operate as a PCI master. Clearing this bit disables master mode.
MEMEN	R/W	Memory Space Response Enable —Setting this bit permits the PCI interface to respond to PCI memory cycles that map to the PCI interface. Clearing this bit makes the PCI interface ignore all PCI memory space transfers.
IOEN	R/W	IO Space Response Enable —Setting this bit permits the PCI interface to respond to PCI IO space cycles that map to the PCI interface. Clearing this bit makes the PCI interface ignore all PCI IO space transfers.

Class Code and Revision ID Register (PCCRIDR)

Offset 0x08 from PCI Config Space, 0x308 from PBAR0 Reset Value: 0x07800002 Read Only

CLASS_CODE[23:16]							
31	30	29	28	27	26	25	24
CLASS_CODE[15:8]							
23	22	21	20	19	18	17	16
CLASS_CODE[7:0]							
15	14	13	12	11	10	9	8
REVISION_ID[7:0]							
7	6	5	4	3	2	1	0

This register describes the type of PCI device according to the PCI specification.

Mnemonic	Type	Description
CLASS_CODE[23:0]	R	Determine the PCI Interface's Device Class —This value is set to 0x078000, indicating the TNT5002 base class is “Simple Communications Controller,” the subclass is “Other Communications Device,” and the register level programming interface is 0x00.
REVISION_ID[7:0]	R	Revision Code —This byte determines the revision level of the PCI interface. The TNT5002 is revision 0x02. This value may be changed in future versions of the TNT5002.

Latency Timer Value (PLIVR)

Offset 0x0C from PCI Config Space, 0x30C from PBAR0 Reset Value: 0x00000000 Read Only

BIST[7:0]							
-----------	--	--	--	--	--	--	--

31 30 29 28 27 26 25 24

HEADER_TYPE[7:0]							
------------------	--	--	--	--	--	--	--

23 22 21 20 19 18 17 16

LATENCY_TIMER[7:0]							
--------------------	--	--	--	--	--	--	--

15 14 13 12 11 10 9 8

CACHELINE_SZ[7:0]							
-------------------	--	--	--	--	--	--	--

7 6 5 4 3 2 1 0

Mnemonic	Type	Description
BIST[7:0]	R	Built-in Self Test —These bits return 0.
HEADER_TYPE[7:0]	R	Header Type —These bits return 0.
LATENCY[7:0]	R	Maximum Bus Tenure —The value in this register specifies the maximum time, in PCI clocks, that the PCI interface can occupy the PCI bus when it performs master cycles. This value is written by a PCI host device, most commonly a host CPU.
CACHE LINE[7:0]	R	Specify the Cache Line Size —This indicates the size of a host PCI's cache line in 4 byte increments. The PCI interface uses the cache line value to determine whether to use memory write and invalidate or memory read line cycles when the MWIEN bit is set in the PSCR.

Base Address Register 0 (PBAR0)

Offset 0x10 from PCI Config Space, 0x310 from PBAR0 Reset Value: 0xFFFFF800 Read/Write

ADRBASE[23:16]							
31	30	29	28	27	26	25	24
ADRBASE[15:8]							
23	22	21	20	19	18	17	16
ADRBASE[7:0]							
15	14	13	12	11	10	9	8
0	0	0	0	0	0	1MEG/0	IO
7	6	5	4	3	2	1	0

PBAR0 defines the base address from which the Chip Status/Control, PCI Configuration, Miscellaneous Status/Control, and DMA Status/Control register groups are accessed.

Mnemonic	Type	Description
ADRBASE[23:0]	R/W	Base Address —This field specifies the starting address of the window that the PCI interface recognizes. The size of the window defined by this register is 2 kB.
1MEG/0	R	Type —When a base address register maps to PCI memory space, a one in this read-only bit directs a PCI host to place the window defined by this base address register within the first 1 megabyte of system memory. A zero indicates that the PCI host can locate this window anywhere in memory space. When a base register maps to IO space, this bit always returns 0. Writes to this bit are ignored.
IO	R	IO Space Indicator —A 0 in this ready-only bit directs a PCI host to locate the address window defined by this base address register into PCI memory space. A 1 directs the PCI host to locate this window in PCI IO space. Writes to this bit are ignored.

Base Address Register 1 (PBAR1)

Offset 0x14 from PCI Config Space, 0x314 from PBAR0 Reset Value: 0xFFFFFC00 Read/Write

ADRBASE[23:16]							
----------------	--	--	--	--	--	--	--

31 30 29 28 27 26 25 24

ADRBASE[15:8]							
---------------	--	--	--	--	--	--	--

23 22 21 20 19 18 17 16

ADRBASE[7:0]							
--------------	--	--	--	--	--	--	--

15 14 13 12 11 10 9 8

0	0	0	0	0	0	1MEG/0	IO
---	---	---	---	---	---	--------	----

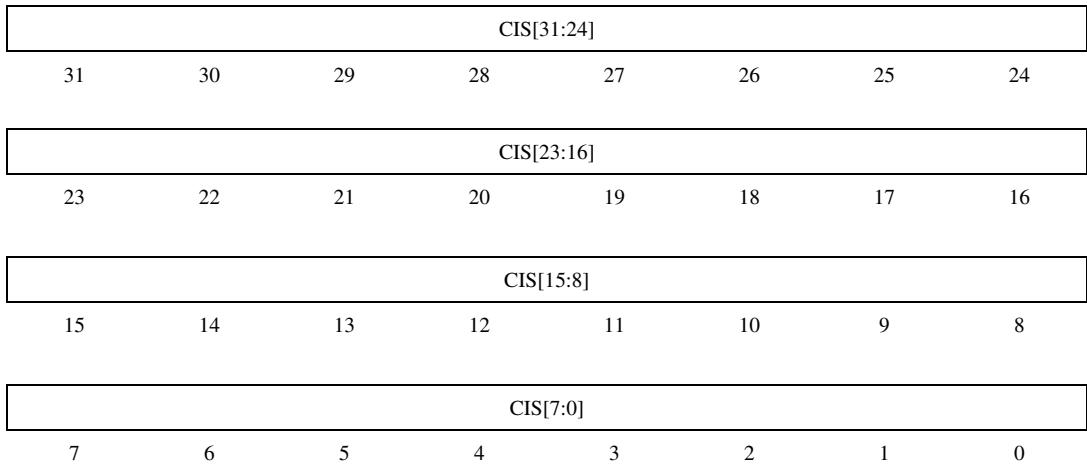
7 6 5 4 3 2 1 0

PBAR1 defines the base address from which the 4882 Register Set, 9914 Register Set, GPIB Test/Status, and Serial Number register groups are accessed.

Mnemonic	Type	Description
ADRBASE[23:0]	R/W	Base Address —This field specifies the starting address of the window that the PCI interface recognizes. The size of the window defined by this register is 16 kB.
1MEG/0	R/W	Type —When a base address register maps to PCI memory space, a one in this read-only bit directs a PCI host to place the window defined by this base address register within the first 1 megabyte of system memory. A zero indicates that the PCI host can locate this window anywhere in memory space. When a base register maps to IO space, this bit always returns 0. Writes to this bit are ignored.
IO	R/W	IO Space Indicator —A 0 in this ready-only bit directs a PCI host to locate the address window defined by this base address register into PCI memory space. A 1 directs the PCI host to locate this window in PCI IO space. Writes to this bit are ignored.

CIS Pointer Register Register (PCISR)

Offset 0x28 from PCI Config Space, 0x328 from PBAR0 Reset Value: 0x00000000 Read/Write



This register is the Cardbus Information Structure and is only used for Cardbus applications.

Mnemonic	Type	Description
CIS	R/W	Card Information Structure —Stores the 32 bit memory address of the Card information structure for Cardbus applications. This register is fully readable/writeable when PERCR[CBUSEN] is set. Otherwise, this register always returns 0.

Subsystem ID Register (PSUBR)

Offset 0x2C from PCI Config Space, 0x32C from PBAR0 Reset Value: See Description Read Only

SUBSYSTEM_ID[15:8]							
--------------------	--	--	--	--	--	--	--

31 30 29 28 27 26 25 24

SUBSYSTEM_ID[7:0]							
-------------------	--	--	--	--	--	--	--

23 22 21 20 19 18 17 16

SUBVENDOR_ID[15:8]							
--------------------	--	--	--	--	--	--	--

15 14 13 12 11 10 9 8

SUBVENDOR_ID[7:0]							
-------------------	--	--	--	--	--	--	--

7 6 5 4 3 2 1 0

This register implements the PCI Subsystem ID and Subsystem Vendor ID fields as required by PCI Specification 2.2. The reset value of this register depends on DIS_SUBSYS.

Mnemonic	Type	Description
SUBSYSTEM_ID[15:0]	R	Subsystem ID —If DIS_SUBSYS is asserted or not connected, these bits return 0x0000. If DIS_SUBSYS is actively unasserted, SUBSYSTEM_ID returns PIDR[DEVICE_ID[15:0]].
SUBVENDOR_ID[15:0]	R	Subsystem Vendor ID —If DIS_SUBSYS is asserted or not connected, these bits return 0x0000. If DIS_SUBSYS is actively unasserted, SUBVENDOR_ID returns PIDR[VENDOR_ID[15:0]].

Latency Request Interrupt Definition Register (PLRIDR)

Offset 0x3C from PCI Config Space, 0x33C from PBAR0 Reset Value: 0x00000100 Read/Write

MAX_LAT[7:0]							
31	30	29	28	27	26	25	24
MIN_GNT[7:0]							
23	22	21	20	19	18	17	16
INT_PIN[7:0]							
15	14	13	12	11	10	9	8
INT_LINE[7:0]							
7	6	5	4	3	2	1	0

This register implements the various fields required by PCI Specification 2.2.

Mnemonic	Type	Description
MAX_LAT[7:0]	R	Maximum Requested Latency —These bits are hard-wired to 0. Writes to these bits are ignored.
MIN_GNT[7:0]	R	Minimum Bus Grant Time —These bits are hard-wired to 0. Writes to these bits are ignored.
INT_PIN[7:0]	R	Interrupt Pin —This read-only byte specifies which interrupt pin the PCI interface uses for interrupts. This byte is hardwired to 0x01 since the PCI interface can use only the INTA# signal. Writes to these bits are ignored.
INT_LINE[7:0]	R/W	Interrupt Line —This read-write byte specifies interrupt line routing information. It has no effect on the PCI interface. The PCI host device writes a value in this byte which an interrupt service routine can use to determine interrupt vector and priority information.

Base Address Configuration Register (PBACOR)

Offset 0x40 from PCI Config Space, 0x340 from PBAR0 Reset Value: 0x0000B4A8 Read/Write

R	R	R	R	R	R	R	R
31	30	29	28	27	26	25	24

R	R	R	R	R	R	R	R
23	22	21	20	19	18	17	16

B1_EN	B1_S[4:0]				B1_1MEG	0
15	14			10	9	8

B0_EN	B0_S[4:0]				B0_1MEG	0
7	6			2	1	0

This fields in this register are used to configure PBAR0 and PBAR1. Most applications should not access this register.

Mnemonic	Type	Description
B0_EN B1_EN	R/W	PBAR0/PBAR1 Enable —Setting these bits enable PBAR0 or PBAR1. When PBAR0 or PBAR1 are enabled a PCI host can read and write data from and to it, and the PCI interface uses the contents of this register to decode incoming PCI addresses. If PBAR0 or PBAR1 is disabled, it returns all zeros when it is read as required by the PCI specification.
B0_S[4:0] B1_S[4:0]	R/W	PBAR0/PBAR1 Window Size —These bits specify the amount of PCI memory space that the PBAR0 or PBAR1 requires. The amount of address space is $2^{[Bx_S+1]}$ bytes long. The PCI specification recommends that if the address space being requested lies in PCI memory space, Bx_S should be greater than 12. If the address space being requested lies in PCI IO space, Bx_S should be greater than 8.

Mnemonic	Type	Description
B0_1MEG B1_1MEG	R/W	Memory Type —When PBAR0 or PBAR1 maps to PCI memory space, setting this bit directs a PCI host to place the window defined by this base address register within the first megabyte of system memory. A zero indicates that the PCI host can locate this window anywhere in memory space. When a Base Address Register maps to IO space, this bit is ignored. B0_1MEG/ B1_1MEG reflects the state of PBAR0[1MEG/0]/PBAR1[1MEG/0].
R	R/W	Reserved —Always write 0 to these bits. These bits are read as either 0 or 1.

Expansion ROM Configuration Register (PERCR)

Offset 0x48 from PCI Config Space, 0x348 from PBAR0 Reset Value: 0xC7000000 Read/Write

R	BEERREN	CBUSEN	FASTEN#	WRITEEN	HWRL2	HWRL1	HWRL0
31	30	29	28	27	26	25	24
R	R	R	R	R	R	R	R
23	22	21	20	19	18	17	16
R	R	R	R	R	R	R	R
15	14	13	12	11	10	9	8
R	R	R	R	R	R	R	R
7	6	5	4	3	2	1	0

Mnemonic	Type	Description
BEERREN	R/W	Bus Error on Unsupported BE Codes —Setting this bit enables the PCI interface to terminate a PCI slave transfer with a target abort if the initiating PCI master uses a non-aligned BE# encoding. If this bit is cleared, the PCI interface terminates the transfer with a disconnect allowing the PCI master to assume the transfer completed successfully, but the interface does not actually initiate a cycle.
CBUSEN	R/W	Card Bus Support Enable —Setting this bit enable the CIS pointer register (PCISR). Clearing this bit makes the PCISR return 0.
FASTEN#	R/W	Fast Back-to-Back Enable —Clearing this bit sets the PSCR[FBBC] by indicating support for fast back-to-back cycles. Setting this bit clears PSCR[FBBC]. This feature helps deal with finicky BIOS that might not handle fast back-to-back properly.
WRITEEN	R/W	Write Enable —Setting this bit makes the PLRIDR (MAR_LAT and MIN_GNT) writable. Clearing this bit makes these registers read-only.

Mnemonic	Type	Description
HWRL[2:0]	R/W	Hardware Retry Limit —These bits specify the number of times the PCI interface retries a PCI cycle before returning a bus error to the port that initiated the transfer. The number of retries is 2^{HWRL} .
R	R/W	Reserved —Always write 0 to these bits. These bits are read as 1 or 0.

DMA Status/Control Registers

These registers are only available in PCI4882 mode. This register group is used to control and monitor status of the DMA controller.

DMA Status/Control Registers Sorted by Offset

Registers at offsets not listed are reserved.

Offset from PBAR0	Mnemonic	Write Register	Read Register
0x500	CHOR	Channel Operation	Channel Operation
0x504	CHCR	Channel Control	Channel Control
0x508	TCR	Transfer Count	Transfer Count
0x50C	MCR	Memory Configuration	Memory Configuration
0x510	MAR	Memory Address	Memory Address
0x514	DCR	Device Configuration	Device Configuration
0x51C	LKCR	Link Configuration	Link Configuration
0x520	LKAR	Link Address	Link Address
0x528	BAR	Base Address	Base Address
0x52C	BCR	Base Count	Base Count
0x53C	CHSR	Reserved	Channel Status
0x540	FCR	Reserved	FIFO Count

DMA Status/Control Registers Sorted by Mnemonic

Registers at offsets not listed are reserved.

Mnemonic	Offset from PBAR0	Write Register	Read Register
BAR	0x528	Base Address	Base Address
BCR	0x52C	Base Count	Base Count
CHCR	0x504	Channel Control	Channel Control
CHOR	0x500	Channel Operation	Channel Operation
CHSR	0x53C	Reserved	Channel Status
DCR	0x514	Device Configuration	Device Configuration
FCR	0x540	Reserved	FIFO Count
LKAR	0x520	Link Address	Link Address
LKCR	0x51C	Link Configuration	Link Configuration
MAR	0x510	Memory Address	Memory Address
MCR	0x50C	Memory Configuration	Memory Configuration
TCR	0x508	Transfer Count	Transfer Count

DMA Status/Control Register Descriptions

Base Address Register (BAR)

Offset 0x528 from PBAR0

Reset Value: 0x00000000

Read/Write

BAR[31:24]							
------------	--	--	--	--	--	--	--

31 30 29 28 27 26 25 24

BAR[23:16]							
------------	--	--	--	--	--	--	--

23 22 21 20 19 18 17 16

BAR[15:8]							
-----------	--	--	--	--	--	--	--

15 14 13 12 11 10 9 8

BAR[7:0]							
----------	--	--	--	--	--	--	--

7 6 5 4 3 2 1 0

Mnemonic	Type	Description
BAR[31:0]	R/W	Base Address Register —The BAR is loaded automatically by the DMA Controller with the address from the current link node.

Base Count Register (BCR)

Offset 0x52C from PBAR0

Reset Value: 0x00000000

Read/Write

BCR[31:24]							
31	30	29	28	27	26	25	24
BCR[23:16]							
23	22	21	20	19	18	17	16
BCR[15:8]							
15	14	13	12	11	10	9	8
BCR[7:0]							
7	6	5	4	3	2	1	0

Mnemonic	Type	Description
BCR[31:0]	R/W	Base Count Register —The BCR is loaded automatically by the DMA Controller with the count from the current link node.

Channel Control Register (CHCR)

Offset 0x504 from PBAR0				Reset Value: 0x55550000				Read/Write
0	1	0	1	0	1	0	1	
31	30	29	28	27	26	25	24	
0	1	0	1	0	1	0	1	
23	22	21	20	19	18	17	16	
0	0	0	0	0	0	0	0	
15	14	13	12	11	10	9	8	
0	0	0	0	DIR	RMODE[2:0]			
7	6	5	4	3	2	1	0	

This register is used to configure the DMA controller and should be configured prior to any DMA transfer.

Mnemonic	Type	Description								
DIR	R/W	<p>Transfer Direction—DIR indicates the direction of data flow of a DMA transfer.</p> <table border="0"> <tr> <td>DIR</td> <td>Direction</td> </tr> <tr> <td colspan="2"><hr/></td> </tr> <tr> <td>0</td> <td>Memory to GPIB</td> </tr> <tr> <td>1</td> <td>GPIB to Memory</td> </tr> </table>	DIR	Direction	<hr/>		0	Memory to GPIB	1	GPIB to Memory
DIR	Direction									
<hr/>										
0	Memory to GPIB									
1	GPIB to Memory									
RMODE[2:0]	R/W	<p>Transfer Mode Select—Determines the mode of operation for the DMA Controller Channel.</p> <table border="0"> <tr> <td>RMODE[2:0]</td> <td>DMA Type</td> </tr> <tr> <td colspan="2"><hr/></td> </tr> <tr> <td>100</td> <td>Link Short</td> </tr> <tr> <td><i>other</i></td> <td>Reserved</td> </tr> </table>	RMODE[2:0]	DMA Type	<hr/>		100	Link Short	<i>other</i>	Reserved
RMODE[2:0]	DMA Type									
<hr/>										
100	Link Short									
<i>other</i>	Reserved									

Channel Operation Register (CHOR)

Offset 0x500 from PBAR0

Reset Value: 0x00000512

Read/Write

DMARESET	R	R	R	R	R	R	R
31	30	29	28	27	26	25	24
R	R	R	R	R	R	R	R
23	22	21	20	19	18	17	16
R	R	R	R	0	1	0	1
15	14	13	12	11	10	9	8
CLR DONE	R	R	FRESET	ABORT	STOP	1	START
7	6	5	4	3	2	1	0

This register is used to control DMA transfers, including starting and stopping transfers.

Mnemonic	Type	Description
DMARESET	R/W	DMA Reset —Setting this bit causes the DMA Controller to be reset. Refer to Chapter 8, <i>Reset Considerations</i> , for more information.
CLR DONE	R/W	Clear Done Status Bit —Setting this bit clears the DONE status bit. The DONE status bit is also automatically cleared when a new operation is started.
FRESET	R/W	FIFO Reset —Setting this bit clears the FIFO. The bit is automatically cleared.
ABORT	R/W	Abort DMA Operation —When this bit is written with a one, the current DMA stops after the completion of any transfer started before the bit was set. All bytes in the FIFO are lost. This bit clears when START is set.
STOP	R/W	Stop DMA —When this bit is written with a one, the current DMA is stopped after the FIFO has been allowed to empty. This bit clears when START is set.

Mnemonic	Type	Description
START	R/W	Start DMA Operation —A DMA transfer is started by writing this bit with a one after programming the appropriate address, count, configuration, and control registers.
R	R/W	Reserved —Always write 0 to these bits. These bits are read as either 0 or 1.

Channel Status Register (CHSR)

Offset 0x53C from PBAR0				Reset Value: 0x00000000			Read Only	
R	R	R	R	R	R	DONE	R	
31	30	29	28	27	26	25	24	
R	R	R	R	R	R	R	R	
23	22	21	20	19	18	17	16	
ERROR	SABORT	R	STOPS	OPERR[1:0]		RFERR	R	
15	14	13	12	11	10	9	8	
R	DRQA	R		MERR[1:0]		DERR[1:0]		
7	6	5	4	3	2	1	0	

This register contains status information about the DMA Controller.

Mnemonic	Type	Description
DONE	R	DMA Done —This bit clears when the DMA is started and sets when the transfer is completed normally or by an error.
ERROR	R	Error Occurred —Indicates the transfer completed due to an error. The other bits indicate the type of error.
SABORT	R	Software Abort —This bit asserts when CHOR[ABORT] is set.
STOPS	R	Stopped Status —This bit sets when CHOR[STOP] is set. Note: STOPS is not status that the DMA Controller has stopped but that the STOP bit was written. To get status that the DMA Controller has STOPPED, enable the DONE IE, then write STOP in the CHOR to get an interrupt that the DMA Controller has actually stopped.

Mnemonic	Type	Description										
OPERR[1:0]	R	<p>Operation Error Code—An illegal FIFO operation such as reading an empty FIFO or writing a full FIFO occurred. OPERR is just a status bit, it does not stop the DMA Controller from finishing a transfer.</p> <table border="0"> <thead> <tr> <th><u>OPERR[1:0]</u></th> <th><u>Error</u></th> </tr> </thead> <tbody> <tr> <td>00</td> <td>FIFO Error</td> </tr> <tr> <td>01</td> <td>Bus Error</td> </tr> <tr> <td><i>others</i>.....</td> <td>Reserved</td> </tr> </tbody> </table>	<u>OPERR[1:0]</u>	<u>Error</u>	00	FIFO Error	01	Bus Error	<i>others</i>	Reserved		
<u>OPERR[1:0]</u>	<u>Error</u>											
00	FIFO Error											
01	Bus Error											
<i>others</i>	Reserved											
XFERR	R	Transfer Error —One or more of the transfer processes terminated with an error. Refer to the LERR, MERR, and DERR bit to determine the type.										
DRQA	R	DRQA Status —The state of the DRQ signal from the GPIB circuitry.										
MERR[1:0]	R	<p>Memory Transfer Error—These bits indicate the type of error which stopped the memory transfer process.</p> <table border="0"> <thead> <tr> <th><u>MERR[1:0]</u></th> <th><u>Error</u></th> </tr> </thead> <tbody> <tr> <td>00</td> <td>No Error</td> </tr> <tr> <td>01</td> <td>Bus Error</td> </tr> <tr> <td>10</td> <td>Retry Limit Exceeded</td> </tr> <tr> <td>11</td> <td>Other Error</td> </tr> </tbody> </table>	<u>MERR[1:0]</u>	<u>Error</u>	00	No Error	01	Bus Error	10	Retry Limit Exceeded	11	Other Error
<u>MERR[1:0]</u>	<u>Error</u>											
00	No Error											
01	Bus Error											
10	Retry Limit Exceeded											
11	Other Error											
DERR[1:0]	R	<p>Device Transfer Error—These bits indicate the type of error which stopped the device transfer process.</p> <table border="0"> <thead> <tr> <th><u>DERR[1:0]</u></th> <th><u>Error</u></th> </tr> </thead> <tbody> <tr> <td>00</td> <td>No Error</td> </tr> <tr> <td>01</td> <td>Bus Error</td> </tr> <tr> <td>10</td> <td>Retry Limit Exceeded</td> </tr> <tr> <td>11</td> <td>Other Error</td> </tr> </tbody> </table>	<u>DERR[1:0]</u>	<u>Error</u>	00	No Error	01	Bus Error	10	Retry Limit Exceeded	11	Other Error
<u>DERR[1:0]</u>	<u>Error</u>											
00	No Error											
01	Bus Error											
10	Retry Limit Exceeded											
11	Other Error											
R	R	Reserved —Always write 0 to these bits. These bits are read as either 0 or 1.										

Device Configuration Register (DCR)

Offset 0x514 from PBAR0

Reset Value: 0x00040241

Read/Write

0	0	0	R	R	R	R	R
31	30	29	28	27	26	25	24
RL[2:0]			RD[1:0]		REQS[2:0]		
23	22	21	20	19	18	17	16
R	R	ASEQ[3:0]				PSIZE[1:0]	
15	14	13	12	11	10	9	8
R	1	R	R	R	0	R	1
7	6	5	4	3	2	1	0

This register is used to configure how the DMA Controller accesses the GPIB circuitry. This register should not be accessed for most applications.

Mnemonic	Type	Description										
RL[2:0]	R/W	Retry Limit —These bits determine the maximum number of times a single transfer may be retried. If the limit is exceeded, a retry error is reported and the operation is stopped. When programmed to zero, the first retry results in an error. The limit selects a power of two number of retries that cause an error 0, 1, 2, 4, 8, ..., 64.										
RD[1:0]	R/W	Request Delay Limiter —These bits determine the delay that must elapse between transfers. This limit is always enforced for retry cycles. The limit may be enforced for all cycle when the request mode is internal and limited. This has the following values: <table border="1"> <thead> <tr> <th>RD[1:0]</th><th>Clock Cycles</th></tr> </thead> <tbody> <tr> <td>00</td><td>0</td></tr> <tr> <td>01</td><td>32</td></tr> <tr> <td>10</td><td>512</td></tr> <tr> <td>11</td><td>8192</td></tr> </tbody> </table>	RD[1:0]	Clock Cycles	00	0	01	32	10	512	11	8192
RD[1:0]	Clock Cycles											
00	0											
01	32											
10	512											
11	8192											

Mnemonic	Type	Description
REQS[2:0]	R/W	<p>Request Source—This selects the type of DMA request for the process.</p> <p>REQS[2:0] Request Source</p> <hr/> <p>000Internal Maximum Rate 001Internal Limited Rate, uses RD[1:0] values 010Disable Process. Programmed I/O to the FIFO 100Hardware Request, DRQ line from the internal IO bus <i>others</i>Reserved</p>
ASEQ[3:0]	R/W	<p>Address Sequence Selection—Determines how the Device address is modified for the next transfer. ASEQ[3] is the sign bit while the others select a power of two to multiply by the Port Transfer Size.</p> <p>ASEQ[2:0] ASEQ[3] = 0 ASEQ[3] = 1 (increment address) (decrement address)</p> <hr/> <p>000 + 0 - 0 001 + 1 * SIZE - 1 * SIZE 010 + 2 * SIZE - 2 * SIZE 011 + 4 * SIZE - 4 * SIZE 100 + 8 * SIZE - 8 * SIZE 101 + 16 * SIZE - 16 * SIZE 110 + 32 * SIZE - 32 * SIZE 111 + 64 * SIZE - 64 * SIZE</p> <p>where <i>size</i> is defined as follows:</p> <p>PSIZE[1:0] SIZE (bytes)</p> <hr/> <p>00<i>invalid</i> 011 102 114</p>

Mnemonic	Type	Description										
PSIZE[1:0]	R/W	<p>Port Transfer Size—The size of the port for the transfer. The actual transfer size may be smaller when aligning addresses and draining the FIFO.</p> <table border="1" data-bbox="581 335 1032 513"> <thead> <tr> <th data-bbox="581 335 776 366">PSIZE[1:0]</th> <th data-bbox="776 335 1032 366">Port Transfer Size</th> </tr> </thead> <tbody> <tr> <td data-bbox="581 387 776 418">00</td> <td data-bbox="776 387 1032 418">Reserved</td> </tr> <tr> <td data-bbox="581 421 776 453">01</td> <td data-bbox="776 421 1032 453">8-bit</td> </tr> <tr> <td data-bbox="581 456 776 487">10</td> <td data-bbox="776 456 1032 487">16-bit</td> </tr> <tr> <td data-bbox="581 491 776 522">11</td> <td data-bbox="776 491 1032 522">32-bit</td> </tr> </tbody> </table>	PSIZE[1:0]	Port Transfer Size	00	Reserved	01	8-bit	10	16-bit	11	32-bit
PSIZE[1:0]	Port Transfer Size											
00	Reserved											
01	8-bit											
10	16-bit											
11	32-bit											
R	R/W	<p>Reserved—Always write 0 to these bits. These bits are read as either 0 or 1.</p>										

FIFO Count Register (FCR)

Offset 0x540 from PBAR0

Reset Value: 0x00000000

Read Only

R	R	R	R	R	R	R	R
31	30	29	28	27	26	25	24
ECR[7:0]							
23	22	21	20	19	18	17	16
R	R	R	R	R	R	R	R
15	14	13	12	11	10	9	8
FCR[7:0]							
7	6	5	4	3	2	1	0

This register contains the current number of empty bytes positions in the DFIFO. This register should not be accessed for most applications.

Mnemonic	Type	Description
ECR[7:0]	R	Empty FIFO Locations —ECR indicates the number of empty locations (bytes) in the DFIFO.
FCR[7:0]	R	FIFO Count —FCR indicates the number of bytes remaining in the DFIFO. A transfer is complete when both the TCR and FCR reach zero.
R	R	Reserved —These bits are read as either 0 or 1.

Link Address Register (LKAR)

Offset 0x520 from PBAR0 Reset Value: 0x00000000 Read/Write

LKAR[31:24]							
31	30	29	28	27	26	25	24
LKAR[23:16]							
23	22	21	20	19	18	17	16
LKAR[15:8]							
15	14	13	12	11	10	9	8
LKAR[7:0]							
7	6	5	4	3	2	1	0

Mnemonic	Type	Description
LKAR[31:0]	R/W	Link Address Register —The LKAR points to the next entry when chaining is used. The address of the first link is manually programmed to the LKAR, and the register is modified as subsequent links are loaded from memory. The LKAR must be aligned to the boundary of the programmed transfer size.

Link Configuration Register (LKCR)

Offset 0x51C from PBAR0 Reset Value: 0x00000000 Read/Write

R	R	R	R	R	R	R	R
31	30	29	28	27	26	25	24
RL[2:0]			R	R	R	R	R
23	22	21	20	19	18	17	16
R	R	R	R	ASEQ[1:0]		PSIZE[1:0]	
15	14	13	12	11	10	9	8
R	R	R	R	R	R	R	R
7	6	5	4	3	2	1	0

This register is used to configure how the DMA Controller fetches links from memory.

Mnemonic	Type	Description								
RL[2:0]	R/W	Retry Limit —These bits determine the maximum number of times a single transfer may be retried. If the limit is exceeded, a retry error is reported and the operation is stopped. When programmed to zero, the first retry results in an error. The limit selects a power of two number of retries that cause an error 0, 1, 2, 4, 8, ..., 64.								
ASEQ[1:0]	R/W	Address Sequence Selection —Determines how the address is modified for the next transfer. <table style="margin-left: 20px; border-collapse: collapse;"> <tr> <td style="border-bottom: 1px solid black; padding-right: 10px;">ASEQ[1:0]</td> <td style="border-bottom: 1px solid black; padding-right: 10px;">Next Address Selection</td> </tr> <tr> <td>00</td> <td>Don't Count</td> </tr> <tr> <td>01</td> <td>Increment</td> </tr> <tr> <td>10</td> <td>Decrement</td> </tr> </table>	ASEQ[1:0]	Next Address Selection	00	Don't Count	01	Increment	10	Decrement
ASEQ[1:0]	Next Address Selection									
00	Don't Count									
01	Increment									
10	Decrement									

Mnemonic	Type	Description								
PSIZE[1:0]	R/W	<p>Port Transfer Size—The size of the port for the transfer.</p> <table border="1" data-bbox="581 267 1032 418"> <thead> <tr> <th data-bbox="581 267 776 305">PSIZE[1:0]</th> <th data-bbox="776 267 1032 305">Port Size</th> </tr> </thead> <tbody> <tr> <td data-bbox="581 322 776 352">01</td> <td data-bbox="776 322 1032 352">8-bit</td> </tr> <tr> <td data-bbox="581 352 776 381">10</td> <td data-bbox="776 352 1032 381">16-bit</td> </tr> <tr> <td data-bbox="581 381 776 411">11</td> <td data-bbox="776 381 1032 411">32-bit</td> </tr> </tbody> </table> <p>The link process packs smaller data into the 32 bit dwords required by the link process. Unlike data transfers, the transfers must be aligned on the proper boundary.</p>	PSIZE[1:0]	Port Size	01	8-bit	10	16-bit	11	32-bit
PSIZE[1:0]	Port Size									
01	8-bit									
10	16-bit									
11	32-bit									
R	R/W	<p>Reserved—Always write 0 to these bits. These bits are read as either 0 or 1.</p>								

Memory Address Register (MAR)

Offset 0x510 from PBAR0

Reset Value: 0x00000000

Read/Write

MAR[31:24]							
31	30	29	28	27	26	25	24
MAR[23:16]							
23	22	21	20	19	18	17	16
MAR[15:8]							
15	14	13	12	11	10	9	8
MAR[7:0]							
7	6	5	4	3	2	1	0

Mnemonic	Type	Description
MAR[31:0]	R/W	Memory Address Register —The MAR is loaded automatically by the DMA Controller with the mem_address from the current link node and incremented according to MCR[ASEQ] as data is read from memory. If the address is not aligned to the programmed size boundary as specified by MCR[PSIZE], the DMA Controller does smaller transfer until alignment occurs.

Memory Configuration Register (MCR)

Offset 0x50C from PBAR0

Reset Value: 0x00040700

Read/Write

R	R	R	R	R	R	R	R
31	30	29	28	27	26	25	24
R	R	R	R	R	1	0	0
23	22	21	20	19	18	17	16
R	R	0	0	0	1	PSIZE[1:0]	
15	14	13	12	11	10	9	8
R	R	R	R	R	R	R	R
7	6	5	4	3	2	1	0

This register is used to configure how the DMA Controller writes and reads data from to and from memory.

Mnemonic	Type	Description										
PSIZE[1:0]	R/W	<p>Port Transfer Size—The size of the port for the transfer. The actual transfer size may be smaller when aligning addresses and draining the FIFO.</p> <table> <thead> <tr> <th>PSIZE[1:0]</th><th>Port Transfer Size</th></tr> </thead> <tbody> <tr> <td>00.....</td><td>Reserved</td></tr> <tr> <td>01.....</td><td>8-bit</td></tr> <tr> <td>10.....</td><td>16-bit</td></tr> <tr> <td>11.....</td><td>32-bit</td></tr> </tbody> </table>	PSIZE[1:0]	Port Transfer Size	00.....	Reserved	01.....	8-bit	10.....	16-bit	11.....	32-bit
PSIZE[1:0]	Port Transfer Size											
00.....	Reserved											
01.....	8-bit											
10.....	16-bit											
11.....	32-bit											
R	R/W	Reserved —Always write 0 to these bits. These bits are read as either 0 or 1.										

Transfer Count Register (TCR)

Offset 0x508 from PBAR0

Reset Value: 0x00000000

Read/Write

TCR[31:24]							
31	30	29	28	27	26	25	24
TCR[23:16]							
23	22	21	20	19	18	17	16
TCR[15:8]							
15	14	13	12	11	10	9	8
TCR[7:0]							
7	6	5	4	3	2	1	0

Mnemonic	Type	Description
TCR[31:0]	R/W	Transfer Count Register —The TCR is loaded automatically by the DMA Controller with the count from the current link node. The TCR is automatically decremented as data enters the DFIFO.

4882 Register Set

These registers are only available in PCI4882 and GEN4882 modes. These registers control the GPIB circuitry.

4882-Mode Registers Sorted by Offset

Register	Offset	Type	Bit 7	Bit 6	Bit 5	Bit 4	Bit 3	Bit 2	Bit 1	Bit 0
DIR	0x00	R	DIR7	DIR6	DIR5	DIR4	DIR3	DIR2	DIR1	DIR0
ISR1	0x02	R	CPT	APT	DET	END	DEC	ERR	DO	DI
IMR1	0x02	W	CPT IE	APT IE	DET IE	END IE	DEC IE	ERR IE	DO IE	DI IE
ISR2	0x04	R	INT	SRQI	LOK	REM	R	LOK	REMC	ADSC
IMR2	0x04	W	0	SRQ IE	0	0	0	LOK IE	REMC IE	ADSC IE
SPSR	0x06	R	S8	PEND	S6	S5	S4	S3	S2	S1
SPMR	0x06	W	S8	rsv/RQS	S6	S5	S4	S3	S2	S1
ADSR	0x08	R	R	ATNN	SPMS	LPAS	TPAS	LA	TA	MINOR
ADMIR	0x08	W	TON	LON	1	1	0	0	ADM1	ADM0
CNT2	0x09	R/W	CNT23	CNT22	CNT21	CNT20	CNT19	CNT18	CNT17	CNT16
CPTR	0x0A	R	CPT7	CPT6	CPT5	CPT4	CPT3	CPT2	CPT1	CPT0
AUXMR	0x0A	W	AUX7	AUX6	AUX5	AUX4	AUX3	AUX2	AUX1	AUX0
AUXRA	0x0A	W	1	0	0	BIN	XEOS	REOS	HLDE	HLDA
AUXRB	0x0A	W	1	0	1	ISS	0	TRI	SPEOI	CPT_ENABLE
AUXRE	0x0A	W	1	1	0	0	DHADT	DHADC	DHDT	DHDC
AUXRF	0x0A	W	1	1	0	1	DHATA	DHALA	DHUNTL	DHALL
AUXRG	0x0A	W	0	1	0	0	NTNL	RPP2	DISTCT	CHES
AUXRI	0x0A	W	1	1	1	0	USTD	PP2	0	SISB
AUXRJ	0x0A	W	1	1	1	1	TM3	TM2	TM1	TM0
PPR	0x0A	W	0	1	1	U	S	P3	P2	P1
CNT3	0x0B	R/W	CNT31	CNT30	CNT29	CNT28	CNT27	CNT26	CNT25	CNT24
ADR0	0x0C	R/W	0	DT0	DL0	PRIMADDR5	PRIMADDR4	PRIMADDR3	PRIMADDR2	PRIMADDR1
ADR1	0x0C	W	1	DT1	DL1	ADDR5	ADDR4	ADDR3	ADDR2	ADDR1
HSEL	0x0D	W	0	0	GOTOSIDS	NODMA	0	0	0	ONEC
ADR1	0x0E	R	EOI	DT1	DL1	ADDR5	ADDR4	ADDR3	ADDR2	ADDR1

Register	Offset	Type	Bit 7	Bit 6	Bit 5	Bit 4	Bit 3	Bit 2	Bit 1	Bit 0
EOSR	0x0E	W	EOS7	EOS6	EOS5	EOS4	EOS3	EOS2	EOS1	EOS0
AUXRK	0x0F	W	0	0	0	0	0	0	TM5	TM4
AUXRL	0x0F	W	0	0	0	1	0	0	0	EN_IBSTA
STSH	0x10	R	DONE	SC	IN	DRQ	STOP	DAV	HALT	GSYNC
CFG	0x10	W	0	TLCHLTE	IN	A/BN	CCEN	0	0	16/8N
DSR	0x11	R	DIO8	DIO7	DIO6	DIO5	DIO4	DIO3	DIO2	DIO1
PT1	0x11	W	0	0	PT1_EN	PT1_4	PT1_3	PT1_2	PT1_1	PT1_0
NIC_DELAY	0x11	W	0	1	0	NIC_DELAY4	NIC_DELAY3	NIC_DELAY2	NIC_DELAY1	NIC_DELAY0
DAV_HOLD	0x11	W	1	0	0	DAV_HOLD4	DAV_HOLD3	DAV_HOLD2	DAV_HOLD1	DAV_HOLD0
DIO_SETUP	0x11	W	1	1	0	DIO_SETUP4	DIO_SETUP3	DIO_SETUP2	DIO_SETUP1	DIO_SETUP0
IMR3	0x12	R/W	0	GFIFO_RDY IE	0	STOP IE	NFF IE	NEF IE	TLCINT IE	DONE IE
HIER	0x13	W	DGA	DGB	0	NO_ISETUP	0	0	0	PMT_W_EOS
CNT0	0x14	R/W	CNT7	CNT6	CNT5	CNT4	CNT3	CNT2	CNT1	CNT0
MISC	0x15	W	0	0	0	HSE	SLOW	WRAP	NOAS	NOTS
CNT1	0x16	R/W	CNT15	CNT14	CNT13	CNT12	CNT11	CNT10	CNT9	CNT8
CSR	0x17	R	V3	V2	V1	V0	1	R	0	0
KEYREG	0x17	W	0	0	MS1D	NO_T1	0	0	0	0
GFIFO	0x18	R/W	GFIFO7	GFIFO6	GFIFO5	GFIFO4	GFIFO3	GFIFO2	GFIFO1	GFIFO0
GFIFO	0x19	R/W	GFIFO15	GFIFO14	GFIFO13	GFIFO12	GFIFO11	GFIFO10	GFIFO9	GFIFO8
ISR3	0x1A	R	INT	GFIFO_RDY	R	STOP	NFF	NEF	TLCINT	DONE
SASR	0x1B	R	NBA	AEHS	ANHS1	ANHS2	ADHS	ACRDY	SH/A	SHIB
DGR	0x1B	W	DIO8	DIO7	DIO6	DIO5	DIO4	DIO3	DIO2	DIO1
STS2	0x1C	R	1	16/8N	0	1	AFFN	AEFN	BFFN	BEFN
CMDR	0x1C	W	CMD7	CMD6	CMD5	CMD4	CMD3	CMD2	CMD1	CMD0
ISR0	0x1D	R	NBA	STBO	NL	EOS	IFCI	ATNI	TO	SYNC
IMR0	0x1D	W	1	STBO IE	NLEN	BTO	IFC1 IE	ATN1 IE	TO IE	SYNC IE
BSR	0x1F	R	ATN	DAV	NDAC	NREF	EOI	SRQ	IFC	REN
BCR	0x1F	W	0	DAV	NDAC	NREF	EOI	SRQ	0	0

4882-Mode Registers Sorted by Mnemonic

Register	Offset	Type	Bit 7	Bit 6	Bit 5	Bit 4	Bit 3	Bit 2	Bit 1	Bit 0
ADMR	0x08	W	TON	LON	1	1	0	0	ADM1	ADM0
ADR0	0x0C	R/W	0	DT0	DL0	PRIMADDR5	PRIMADDR4	PRIMADDR3	PRIMADDR2	PRIMADDR1
ADR1	0x0C	W	1	DT1	DL1	ADDR5	ADDR4	ADDR3	ADDR2	ADDR1
ADR1	0x0E	R	EOI	DT1	DL1	ADDR5	ADDR4	ADDR3	ADDR2	ADDR1
ADSR	0x08	R	R	ATNN	SPMS	LPAS	TPAS	LA	TA	MINOR
AUXMR	0x0A	W	AUX7	AUX6	AUX5	AUX4	AUX3	AUX2	AUX1	AUX0
AUXRA	0x0A	W	1	0	0	BIN	XEOS	REOS	HLEDE	HLEDA
AUXRB	0x0A	W	1	0	1	ISS	0	TRI	SPEOI	CPT_ENABLE
AUXRE	0x0A	W	1	1	0	0	DHADT	DHADC	DHDT	DHDC
AUXRF	0x0A	W	1	1	0	1	DHATA	DHALA	DHUNTL	DHALL
AUXRG	0x0A	W	0	1	0	0	NTNL	RPP2	DISTCT	CHES
AUXRI	0x0A	W	1	1	1	0	USTD	PP2	0	SISB
AUXRJ	0x0A	W	1	1	1	1	TM3	TM2	TM1	TM0
AUXRK	0x0F	W	0	0	0	0	0	0	TM5	TM4
AUXRL	0x0F	W	0	0	0	1	0	0	0	EN_IBSTA
BCR	0x1F	W	ATN	DAV	NDAC	NREFD	EOI	SRQ	IFC	REN
BSR	0x1F	R	0	DAV	NDAC	NREFD	EOI	SRQ	0	0
CFG	0x10	W	0	TLCHELTE	IN	A/BN	CCEN0	0	0	16/8N
CMDR	0x1C	W	CMD7	CMD6	CMD5	CMD4	CMD3	CMD2	CMD1	CMD0
CNT0	0x14	R/W	CNT7	CNT6	CNT5	CNT4	CNT3	CNT2	CNT1	CNT0
CNT1	0x16	R/W	CNT15	CNT14	CNT13	CNT12	CNT11	CNT10	CNT9	CNT8
CNT2	0x09	R/W	CNT23	CNT22	CNT21	CNT20	CNT19	CNT18	CNT17	CNT16
CNT3	0x0B	R/W	CNT31	CNT30	CNT29	CNT28	CNT27	CNT26	CNT25	CNT24
CPTR	0x0A	R	CPT7	CPT6	CPT5	CPT4	CPT3	CPT2	CPT1	CPT0
CSR	0x17	R	V3	V2	V1	V0	1	R	0	0
DAV_HOLD	0x11	W	1	0	0	DAV_HOLD4	DAV_HOLD3	DAV_HOLD2	DAV_HOLD1	DAV_HOLD0
DCR	0x1B	W	DIO8	DIO7	DIO6	DIO5	DIO4	DIO3	DIO2	DIO1

Register	Offset	Type	Bit 7	Bit 6	Bit 5	Bit 4	Bit 3	Bit 2	Bit 1	Bit 0
DIO_SETUP	0x11	W	1	1	0	DIO_SETUP4	DIO_SETUP3	DIO_SETUP2	DIO_SETUP1	DIO_SETUP0
DIR	0x00	R	DIR7	DIR6	DIR5	DIR4	DIR3	DIR2	DIR1	DIR0
DSR	0x11	R	DIO8	DIO7	DIO6	DIO5	DIO4	DIO3	DIO2	DIO1
EOSR	0x0E	W	EOS7	EOS6	EOS5	EOS4	EOS3	EOS2	EOS1	EOS0
GFIFO	0x18	R/W	GFIFO7	GFIFO6	GFIFO5	GFIFO4	GFIFO3	GFIFO2	GFIFO1	GFIFO0
GFIFO	0x19	R/W	GFIFO15	GFIFO14	GFIFO13	GFIFO12	GFIFO11	GFIFO10	GFIFO9	GFIFO8
HIER	0x13	W	DGA	DGB	0	NO_TSETUP	0	0	0	PMT_W_EOS
HSEL	0x0D	W	0	0	GOTOSIDS	NODMA	0	0	0	ONEC
IMR0	0x1D	W	1	STBO IE	NLEN	BTO	IFC1 IE	ATN1 IE	TO IE	SYNC IE
ISR0	0x1D	R	NBA	STBO	NL	EOS	IFC1	ATN1	TO	SYNC
IMR1	0x02	W	CPT IE	APT IE	DET IE	END IE	DEC IE	ERR IE	DO IE	DI IE
ISR1	0x02	R	CPT	APT	DET	END	DEC	ERR	DO	DI
IMR2	0x04	W	0	SRQ IE	0	0	0	LOK IE	REMC IE	ADSC IE
ISR2	0x04	R	INT	SRQ	LOK	REM	R	LOK	REMC	ADSC
IMR3	0x12	R/W	0	GFIFO_RDY IE	0	STOP IE	NFF IE	NEF IE	TLCINT IE	DONE IE
ISR3	0x1A	R	INT	GFIFO_RDY	R	STOP	NFF	NEF	TLCINT	DONE
KEYREG	0x17	W	0	0	MSTD	NO_T1	0	0	0	0
MISC	0x15	W	0	0	0	HSE	SLOW	WRAP	NOAS	NOTS
NIC_DELAY	0x11	W	0	1	0	NIC_DELAY4	NIC_DELAY3	NIC_DELAY2	NIC_DELAY1	NIC_DELAY0
PPR	0x0A	W	0	1	1	U	S	P3	P2	P1
PT1	0x11	W	0	0	PT1_EN	PT1_4	PT1_3	PT1_2	PT1_1	PT1_0
SASR	0x1B	R	NBA	AEHS	ANHS1	ANHS2	ADHS	ACRDY	SH/A	SHIB
SPMR	0x06	W	S8	rsv/RQS	S6	S5	S4	S3	S2	S1
SPSR	0x06	R	S8	PEND	S6	S5	S4	S3	S2	S1
STSI	0x10	R	DONE	SC	IN	DRQ	STOP	DAV	HALT	GSYNC
STS2	0x1C	R	1	16/8N	0	1	AFFN	AFFN	BFFN	BFFN

4882-Mode Register Descriptions

Address Mode Register (ADMR)

Offset 0x08 in 4882 Register Set

Reset Value: 0x30

Write Only

ADDR_MODE
7 0

The ADMR is used to select the addressing mode and should be configured before clearing pon.

Mnemonic	Type	Description																						
ADDR_MODE	W	<p>Address Mode—The ADMR selects the addressing mode of the device. The following lists all address modes. Refer to the following table for more information on each mode.</p> <table border="1"> <thead> <tr> <th>Addressing Mode</th> <th>ADMR</th> </tr> </thead> <tbody> <tr> <td>No Addressing.....</td> <td>0x30</td> </tr> <tr> <td>Normal Addressing</td> <td>0x31</td> </tr> <tr> <td>Extended Addressing.....</td> <td>0x32</td> </tr> <tr> <td>Normal Dual Addressing.....</td> <td>0x31</td> </tr> <tr> <td>Extended Dual Addressing.....</td> <td>0x33</td> </tr> <tr> <td>Normal Multiple Addressing.....</td> <td>0x30</td> </tr> <tr> <td>Extended Multiple Addressing.....</td> <td>0x30</td> </tr> <tr> <td>Talk Only</td> <td>0xB0</td> </tr> <tr> <td>Listen Only</td> <td>0x70</td> </tr> <tr> <td>Talk and Listen</td> <td>0xF0</td> </tr> </tbody> </table>	Addressing Mode	ADMR	No Addressing.....	0x30	Normal Addressing	0x31	Extended Addressing.....	0x32	Normal Dual Addressing.....	0x31	Extended Dual Addressing.....	0x33	Normal Multiple Addressing.....	0x30	Extended Multiple Addressing.....	0x30	Talk Only	0xB0	Listen Only	0x70	Talk and Listen	0xF0
Addressing Mode	ADMR																							
No Addressing.....	0x30																							
Normal Addressing	0x31																							
Extended Addressing.....	0x32																							
Normal Dual Addressing.....	0x31																							
Extended Dual Addressing.....	0x33																							
Normal Multiple Addressing.....	0x30																							
Extended Multiple Addressing.....	0x30																							
Talk Only	0xB0																							
Listen Only	0x70																							
Talk and Listen	0xF0																							

Addressing Mode	ADMR	Number of GPIB Devices	ADR0	ADR1
No Addressing	0x30	0	N/A	N/A
Normal Addressing	0x31	1	Primary Address	Disabled
Extended Addressing	0x32	1	Primary Address	Secondary Address
Normal Dual Addressing	0x31	2	Device 1 Primary Address	Device 2 Primary Address
Extended Dual Addressing	0x33	2	Device 1 Primary Address	Device 2 Primary Address
Normal Multiple Addressing	0x30	3+	Disabled	Disabled

Addressing Mode	ADMR	Number of GPIB Devices	ADR0	ADR1
Extended Multiple Addressing	0x30	3+	Disabled	Disabled
Talk Only	0xB0	1	Disabled	Disabled
Listen Only	0x70	1	Disabled	Disabled
Talk and Listen	0xF0	1	Disabled	Disabled

Address Write Register 0 (ADRO)

Offset 0x0C in 4882 Register Set

Reset Value: 0x00

Write Only

0	DT0	DL0	PRIM_ADDR[4:0]	
7	6	5	4	0

ADRO configures how the device is addressed on the GPIB.

Mnemonic	Type	Description																				
DT0	W	Disable Primary Talker —If DT0 is set, the primary Talker is not enabled and PRIM_ADDR is not compared to GPIB Talk commands. If DT0 is cleared, the primary Talker responds to GPIB Talk commands matching PRIM_ADDR.																				
DL0	W	Disable Primary Listener —If DL0 is set, the primary Listener is not enabled and PRIM_ADDR is not compared to GPIB Listen commands. If DL0 is cleared, the primary Listener responds to GPIB Listen commands matching PRIM_ADDR.																				
PRIM_ADDR[4:0]	W	<p>Primary Address—The meaning of PRIM_ADDR depends on the Addressing Mode as selected by ADMR.</p> <table border="1"> <thead> <tr> <th>Addressing Mode</th> <th>PRIM_ADDR</th> </tr> </thead> <tbody> <tr> <td>No Addressing.....</td> <td>Disabled</td> </tr> <tr> <td>Normal Addressing</td> <td>Primary Address</td> </tr> <tr> <td>Extended Addressing.....</td> <td>Primary Address</td> </tr> <tr> <td>Normal Dual Addressing.....</td> <td>Device 1 Primary Address</td> </tr> <tr> <td>Extended Dual Addressing.....</td> <td>Device 1 Primary Address</td> </tr> <tr> <td>Normal Multiple Addressing.....</td> <td>Disabled</td> </tr> <tr> <td>Extended Multiple Addressing...</td> <td>Disabled</td> </tr> <tr> <td>Talk Only</td> <td>Disabled</td> </tr> <tr> <td>Listen Only</td> <td>Disabled</td> </tr> </tbody> </table>	Addressing Mode	PRIM_ADDR	No Addressing.....	Disabled	Normal Addressing	Primary Address	Extended Addressing.....	Primary Address	Normal Dual Addressing.....	Device 1 Primary Address	Extended Dual Addressing.....	Device 1 Primary Address	Normal Multiple Addressing.....	Disabled	Extended Multiple Addressing...	Disabled	Talk Only	Disabled	Listen Only	Disabled
Addressing Mode	PRIM_ADDR																					
No Addressing.....	Disabled																					
Normal Addressing	Primary Address																					
Extended Addressing.....	Primary Address																					
Normal Dual Addressing.....	Device 1 Primary Address																					
Extended Dual Addressing.....	Device 1 Primary Address																					
Normal Multiple Addressing.....	Disabled																					
Extended Multiple Addressing...	Disabled																					
Talk Only	Disabled																					
Listen Only	Disabled																					

Address Read Register 0 (ADRO)

Offset 0x0C in 4882 Register Set

Reset Value: 0x00

Read Only

0	DT0	DL0	PRIM_ADDR[4:0]
7	6	5	4
			0

ADRO reflects the GPIB addressing configuration of the device.

Mnemonic	Type	Description																				
DT0	R	Disable Primary Talker —If DT0 is set, the primary Talker is not enabled and PRIM_ADDR is not compared to GPIB Talk commands. If DT0 is cleared, the primary Talker responds to GPIB Talk commands matching PRIM_ADDR.																				
DL0	R	Disable Primary Listener —If DL0 is set, the primary Listener is not enabled and PRIM_ADDR is not compared to GPIB Listen commands. If DL0 is cleared, the primary Listener responds to GPIB Listen commands matching PRIM_ADDR.																				
PRIM_ADDR[4:0]	R	<p>Primary Address—The meaning of PRIM_ADDR depends on the Addressing Mode as selected by ADMR.</p> <table style="width: 100%; border-collapse: collapse;"> <thead> <tr> <th style="text-align: left; border-bottom: 1px solid black;">Addressing Mode</th> <th style="text-align: left; border-bottom: 1px solid black;">PRIM_ADDR</th> </tr> </thead> <tbody> <tr> <td>No Addressing</td> <td>N/A</td> </tr> <tr> <td>Normal Addressing</td> <td>Primary Address</td> </tr> <tr> <td>Extended Addressing</td> <td>Primary Address</td> </tr> <tr> <td>Normal Dual Addressing</td> <td>Device 1 Primary Address</td> </tr> <tr> <td>Extended Dual Addressing</td> <td>Device 1 Primary Address</td> </tr> <tr> <td>Normal Multiple Addressing</td> <td>Disabled</td> </tr> <tr> <td>Extended Multiple Addressing</td> <td>Disabled</td> </tr> <tr> <td>Talk Only</td> <td>Disabled</td> </tr> <tr> <td>Listen Only</td> <td>Disabled</td> </tr> </tbody> </table>	Addressing Mode	PRIM_ADDR	No Addressing	N/A	Normal Addressing	Primary Address	Extended Addressing	Primary Address	Normal Dual Addressing	Device 1 Primary Address	Extended Dual Addressing	Device 1 Primary Address	Normal Multiple Addressing	Disabled	Extended Multiple Addressing	Disabled	Talk Only	Disabled	Listen Only	Disabled
Addressing Mode	PRIM_ADDR																					
No Addressing	N/A																					
Normal Addressing	Primary Address																					
Extended Addressing	Primary Address																					
Normal Dual Addressing	Device 1 Primary Address																					
Extended Dual Addressing	Device 1 Primary Address																					
Normal Multiple Addressing	Disabled																					
Extended Multiple Addressing	Disabled																					
Talk Only	Disabled																					
Listen Only	Disabled																					

Address Write Register 1 (ADR1)

Offset 0x0C in 4882 Register Set

Reset Value: 0x80

Write Only

1	DT1	DL1	ADDR[4:0]
7	6	5	4
			0

ADR1 configures how the device is addressed on the GPIB. ADR1 should be configured before clearing pon.

Mnemonic	Type	Description																						
DT1	W	Disable Talker —If DT1 is set, the secondary Talker is not enabled and ADDR is not compared to GPIB Talk commands. If DT1 is cleared, the secondary Talker responds to GPIB Talk commands matching ADDR.																						
DL1	W	Disable Listener —If DL1 is set, the secondary Listener is not enabled and ADDR is not compared to GPIB Listen commands. If DL1 is cleared, the secondary Listener responds to GPIB Listen commands matching ADDR.																						
ADDR[4:0]	W	<p>Other Address—Some of the Addressing Modes selected in the ADMR require an additional address. The following table shows the meaning of ADDR for each Addressing Mode.</p> <table border="1"> <thead> <tr> <th>Addressing Mode</th> <th>ADR1</th> </tr> </thead> <tbody> <tr> <td>No Addressing.....</td> <td>Disabled</td> </tr> <tr> <td>Normal Addressing</td> <td>Disabled</td> </tr> <tr> <td>Extended Addressing.....</td> <td>Secondary Address</td> </tr> <tr> <td>Normal Dual Addressing.....</td> <td>Device 2 Primary Address</td> </tr> <tr> <td>Extended Dual Addressing.....</td> <td>Device 2 Primary Address</td> </tr> <tr> <td>Normal Multiple Addressing.....</td> <td>Disabled</td> </tr> <tr> <td>Extended Multiple Addressing...</td> <td>Disabled</td> </tr> <tr> <td>Talk Only.....</td> <td>Disabled</td> </tr> <tr> <td>Listen Only.....</td> <td>Disabled</td> </tr> <tr> <td>Talk and Listen</td> <td>Disabled</td> </tr> </tbody> </table>	Addressing Mode	ADR1	No Addressing.....	Disabled	Normal Addressing	Disabled	Extended Addressing.....	Secondary Address	Normal Dual Addressing.....	Device 2 Primary Address	Extended Dual Addressing.....	Device 2 Primary Address	Normal Multiple Addressing.....	Disabled	Extended Multiple Addressing...	Disabled	Talk Only.....	Disabled	Listen Only.....	Disabled	Talk and Listen	Disabled
Addressing Mode	ADR1																							
No Addressing.....	Disabled																							
Normal Addressing	Disabled																							
Extended Addressing.....	Secondary Address																							
Normal Dual Addressing.....	Device 2 Primary Address																							
Extended Dual Addressing.....	Device 2 Primary Address																							
Normal Multiple Addressing.....	Disabled																							
Extended Multiple Addressing...	Disabled																							
Talk Only.....	Disabled																							
Listen Only.....	Disabled																							
Talk and Listen	Disabled																							

Address Read Register 1 (ADR1)

Offset 0x0E in 4882 Register Set

Reset Value: 0x00

Read Only

EOI	DT1	DL1	ADDR[4:0]
7	6	5	4
			0

ADR1 reflects the GPIB addressing configuration of the device.

Mnemonic	Type	Description																						
EOI	R	EOI Received —This bit indicates the state of the EOI# line when the most recent data byte was accepted. If EOI is set, the EOI# line was asserted.																						
DT1	R	Disable Talker —If DT1 is set, the secondary Talker is not enabled and ADDR is not compared to GPIB Talk commands. If DT1 is cleared, the secondary Talker responds to GPIB Talk commands matching ADDR.																						
DL1	R	Disable Listener —If DL1 is set, the secondary Listener is not enabled and ADDR is not compared to GPIB Listen commands. If DL1 is cleared, the secondary Listener responds to GPIB Listen commands matching ADDR.																						
ADDR[4:0]	R	<p>Other Address—Some of the Addressing Modes selected in the ADMR require an additional address. The following table shows the meaning of ADDR for each Addressing Mode.</p> <table style="width: 100%; border-collapse: collapse;"> <thead> <tr> <th style="text-align: left; border-bottom: 1px solid black;">Addressing Mode</th> <th style="text-align: left; border-bottom: 1px solid black;">ADR1</th> </tr> </thead> <tbody> <tr> <td>No Addressing</td> <td>Disabled</td> </tr> <tr> <td>Normal Addressing</td> <td>Disabled</td> </tr> <tr> <td>Extended Addressing</td> <td>Secondary Address</td> </tr> <tr> <td>Normal Dual Addressing</td> <td>Device 2 Primary Address</td> </tr> <tr> <td>Extended Dual Addressing</td> <td>Device 2 Primary Address</td> </tr> <tr> <td>Normal Multiple Addressing</td> <td>Disabled</td> </tr> <tr> <td>Extended Multiple Addressing ...</td> <td>Disabled</td> </tr> <tr> <td>Talk Only</td> <td>Disabled</td> </tr> <tr> <td>Listen Only</td> <td>Disabled</td> </tr> <tr> <td>Talk and Listen.....</td> <td>Disabled</td> </tr> </tbody> </table>	Addressing Mode	ADR1	No Addressing	Disabled	Normal Addressing	Disabled	Extended Addressing	Secondary Address	Normal Dual Addressing	Device 2 Primary Address	Extended Dual Addressing	Device 2 Primary Address	Normal Multiple Addressing	Disabled	Extended Multiple Addressing ...	Disabled	Talk Only	Disabled	Listen Only	Disabled	Talk and Listen.....	Disabled
Addressing Mode	ADR1																							
No Addressing	Disabled																							
Normal Addressing	Disabled																							
Extended Addressing	Secondary Address																							
Normal Dual Addressing	Device 2 Primary Address																							
Extended Dual Addressing	Device 2 Primary Address																							
Normal Multiple Addressing	Disabled																							
Extended Multiple Addressing ...	Disabled																							
Talk Only	Disabled																							
Listen Only	Disabled																							
Talk and Listen.....	Disabled																							

Address Status Register (ADSR)

Offset 0x08 in 4882 Register Set

Reset Value: 0x00

Read Only

R	ATNN	SPMS	LPAS	TPAS	LA	TA	MINOR
7	6	5	4	3	2	1	0

The ADSR reflects various states and signals used to determine the address status.

Mnemonic	Type	Description
ATNN	R	Attention —ATNN reflects the level of the ATN# pin. If ATNN is cleared, the ATN# signal is asserted.
SPMS	R	Serial Poll Mode State —SPMS indicates whether the Talker state machine is in SPMS. When SPMS and TA are both set, the Talker can send a serial poll response byte. SPMS is set by: SPE & ACDS SPMS is cleared by: (SPD & ACDS) + pon + IFC
LPAS	R	Listener Primary Address State —LPAS indicates that the Listener has received its primary listen address (MLA). LPAS is cleared after receiving any primary command byte that is not MLA. LPAS is set by: MLA & ACDS LPAS is cleared by: (PCG & ~MLA & ACDS) + pon
TPAS	R	Talker Primary Address State —TPAS indicates that the Talker has received its primary talk address (MTA). TPAS is cleared after receiving any primary command byte that is not MTA. TPAS is set by: MTA & ACDS TPAS is cleared by: (PCG & ~MTA & ACDS) + pon
LA	R	Listen Addressed —When LA is set, the Listener state machine is in LACS or LADS.

Mnemonic	Type	Description
TA	R	Talk Addressed —When TA is set, the Talker state machine is in TADS, TACS, or SPAS.
MINOR	R	Major/Minor —In normal dual addressing mode or extended dual addressing mode, MINOR indicates whether the information in the ADSR bits apply to the major or minor Talker and Listener state machines. The major address is the address written to ADR0. The minor address is the address written to ADR1. MINOR sets when the last addressing command received was for the minor address. MINOR clears when the last addressing command received was for the major address. Minor never sets in other modes.

Auxiliary Mode Register (AUXMR)

Offset 0x0A in 4882 Register Set

Reset Value: 0x00

Write Only

AUXMR_CMD
7 0

The AUXMR is used to issue auxiliary commands to the device. Once a command is written to the AUXMR, it affects some part of the circuit and another command may be written immediately afterwards. All commands not appearing in the following table are reserved.

AUXMR Command	Value	Description
CH_RST	0x02	<p>Chip Reset—CH_RST asserts the local pon message. The pon message logically disconnects the TNT5002 from the GPIB. In addition, CH_RST:</p> <ul style="list-style-type: none"> • Clears all bits in SPMR, AUXRA, AUXRB, AUXRE, AUXRF, AUXRG, AUXRI, AUXRJ, AUXRK, BCR, MISC, HIER, EOSR and PT1. • Clears the ist parallel poll flag • Sets the PPMODE1 bit in PPR <p>Refer to Chapter 8, <i>Reset Considerations</i>, for more information about resetting the TNT5002.</p>
CLR_ADSC	0x5B	Clear ISR2[ADSC] —When AUXRI[SISB] is set, CLR_ADSC is used to clear ISR2[ADSC].
CLR_ATNI	0x5D	Clear ISR0[ATNI] —When AUXRI[SISB] is set, CLR_ATNI is used to clear ISR0[ATNI].
CLR_DEC	0x56	Clear ISR1[DEC] —When AUXRI[SISB] is set, CLR_DEC is used to clear ISR1[DEC].
CLR_DET	0x54	Clear ISR1[DET] —When AUXRI[SISB] is set, CLR_DET is used to clear ISR1[DET].
CLR_END	0x55	Clear ISR1[END] —When AUXRI[SISB] is set, CLR_END is used to clear ISR1[END].
CLR_ERR	0x57	Clear ISR1[ERR] —When AUXRI[SISB] is set, CLR_ERR is used to clear ISR1[ERR].

AUXMR Command	Value	Description
CLR_IFCI	0x5C	Clear ISR0[IFCI] —When AUXRI[SISB] is set, CLR_IFCI is used to clear ISR0[IFCI].
CLR_SRQI	0x58	Clear ISR2[SRQI] —When AUXRI[SISB] is set, CLR_SRQI is used to clear ISR2[SRQI].
CLR_LOKC	0x59	Clear ISR2[LOKC] —When AUXRI[SISB] is set, CLR_LOKC is used to clear ISR2[LOKC].
CLR_REMC	0x5A	Clear ISR2[REMC] —When AUXRI[SISB] is set, CLR_REMC is used to clear ISR2[REMC].
CLR_SYNC/ SET_SYNC	0x5E/0x5F	Clear/Set ISR0[SYNC] —CLR_SYNC and SET_SYNC are used to set and clear ISR0[SYNC].
HLDI	0x51	Holdoff Immediately —HLDI prevents the Acceptor state machine from transitioning from ANRS to ACRS. NRFD# remains asserted in ANRS causing an RFD holdoff.
INVALID	0x07	Release DAC Holdoff (Invalid) —INVALID releases a DAC holdoff. If ISR1[APT] is set, the command that caused the DAC holdoff is interpreted as an Other Secondary Address (OSA).
IST/~IST	0x09/0x01	Set/Clear Parallel Poll Flag (ist) —IST and ~IST set and clear the Parallel Poll Flag (ist). Refer to the <i>Parallel Poll Response Manager</i> section of Chapter 4, <i>Functional Description—PCI4882 and GEN4882 Modes</i> , for more information.
LTN_CONT	0x1B	Listen in Continuous Mode —LTN_CONT asserts the local ltn message and also sets Continuous Holdoff mode, regardless of AUXRA[HOLDOFFMODE]. If Continuous Holdoff mode was set by LTN_CONT, that holdoff mode will remain selected until the device becomes unaddressed to listen or LTN is issued.
LUL	0x0C	Unlisten —LUL forces the Listener state machine into LIDS.
LUN	0x1C	Local Unlisten —LUN causes the Listener state machine to enter LIDS if the Controller state machine is in CACS.
LUT	0x0B	Untalk —LUT forces the Talker state machine into TIDS.

AUXMR Command	Value	Description
PAGEIN	0x50	Page-in Registers —This command is implemented only for backwards compatibility reasons.
PON	0x00	Pulse Pon —The PON command sets the local pon message for 1 clock cycle, then clears pon.
PULSE_RTL	0x05	Pulse Return to Local —PULSE_RTL sets the rtl local message for one clock cycle (if rtl is not already set), then clears rtl.
REQT/REQF	0x18/0x19	Request True/Request False —REQT indirectly causes the SRQ# to assert. REQF causes the SRQ# to unassert. These commands are inputs to the <i>IEEE 488.2</i> Service Request Synchronization circuitry.
RHDF	0x03	Release Holdoff —RHDF clears the RFD holdoff state. The Acceptor state machine enters the RFD holdoff state following the HLDI command or as configured to do so by AUXRA[HOLDOFFMODE].
TRIG	0x04	Trigger —This command forces the TRIG pin to assert for 3 clock cycles. This command has no effect on ISR1[DET] or the DT interface function.
VALID	0x0F	Release DAC Holdoff (Valid) —This command clears the DAC holdoff condition. If ISR1[APT] is set, this command causes the GPIB command to be interpreted as MSA.

Auxiliary Register A (AUXRA)

Offset 0x0A in 4882 Register Set

Reset Value: 0x80

Write Only

1	0	0	BIN	XEOS	REOS	HOLDOFFMODE[1:0]
7	6	5	4	3	2	1 0

AUXRA controls the EOS and END GPIB Remote Messages and specifies the RFD Holdoff mode.

Mnemonic	Type	Description										
BIN	W	Binary EOS —BIN selects whether the EOSR represents an 8-bit binary number or a 7-bit ASCII character. When BIN is set, the EOSR is treated as an 8-bit value. All 8 bits of a data byte must match EOSR to generate the END condition. When BIN is cleared, the EOSR is treated as a 7-bit value. Only the lower 7 bits of a data byte must match the EOSR to generate the END condition.										
XEOS	W	Transmit END with EOS —XEOS permits or prohibits automatic transmission of the GPIB END message at the same time as the EOS message when in TACS. If XEOS is set and the byte being sourced onto the GPIB matches the contents of the EOSR, EOI# is sent true along with the data. Setting CFG[CCEN] is the preferred way of sending EOI# during transfers.										
REOS	W	Enable EOS when Receiving —When REOS is set, each byte received is compared to the EOSR to detect the END condition. When REOS is cleared, data bytes received are not compared to the EOSR to detect the END condition.										
HOLDOFFMODE[1:0]	W	<p>Acceptor Holdoff Mode—When receiving data bytes, HOLDOFFMODE affects how the local rdy message is generated.</p> <table border="0"> <tr> <td>HOLDOFFMODE[1:0]</td> <td>Holdoff Mode</td> </tr> <tr> <td>00.....</td> <td>Normal</td> </tr> <tr> <td>01.....</td> <td>RFD Holdoff on All Data</td> </tr> <tr> <td>10.....</td> <td>RFD Holdoff on END</td> </tr> <tr> <td>11.....</td> <td>Continuous</td> </tr> </table>	HOLDOFFMODE[1:0]	Holdoff Mode	00.....	Normal	01.....	RFD Holdoff on All Data	10.....	RFD Holdoff on END	11.....	Continuous
HOLDOFFMODE[1:0]	Holdoff Mode											
00.....	Normal											
01.....	RFD Holdoff on All Data											
10.....	RFD Holdoff on END											
11.....	Continuous											

Auxiliary Register B (AUXRB)

Offset 0x0A in 4882 Register Set				Reset Value: 0xA0			Write Only
1	0	1	ISS	0	TRI	SPEOI	CPT_ENABLE
7	6	5	4	3	2	1	0

AUXRB affects several different circuits. Refer to individual register bit descriptions.

Mnemonic	Type	Description
ISS	W	Individual Status Select —The value of the Parallel Poll Flag is used as the local ist message when AUXRB[ISS] is cleared. The value of SRQS is used as the local ist message when AUXRB[ISS] is set.
TRI	W	Enable 500ns T1 Delay —TRI affects the duration of the T1 delay.
SPEOI	W	Send END During Serial Polls —When SPEOI is set, EOI# is asserted with all serial poll responses.
CPT_ENABLE	W	Command Pass Through Enable —CPT_ENABLE is set to allow the detection of undefined commands and to set ISR1[CPT]. Clearing CPT_ENABLE clears ISR1[CPT] and prevents detecting undefined commands.

Auxiliary Register E (AUXRE)

Offset 0x0A in 4882 Register Set

Reset Value: 0xC0

Write Only

1	1	0	0	DHADT	DHADC	DHDT	DHDC
7	6	5	4	3	2	1	0

Setting each bit in the AUXRE causes a DAC holdoff whenever a particular command is received.

Mnemonic	Type	Description
DHADT	W	DAC Holdoff on GET Commands —DHADT causes a DAC holdoff whenever the GET command is received.
DHADC	W	DAC Holdoff on DCL or SDC Command —DHADC causes a DAC holdoff whenever the DCL or SDC command is received.
DHDT	W	DAC Holdoff on Device Trigger —DHDT causes a DAC holdoff whenever the Device Trigger command is received (GET when the device is listen addressed).
DHDC	W	DAC Holdoff on Device Clear —DHDC causes a DAC holdoff whenever the Device Clear command is received (either SDC when the device is listen addressed or DCL).

Auxiliary Register F (AUXRF)

Offset 0x0A in 4882 Register Set				Reset Value: 0xD0			Write Only
1	1	0	1	DHATA	DHALA	DHUNTL	DHALL
7	6	5	4	3	2	1	0

Setting each bit in the AUXRF causes a DAC holdoff whenever a particular command is received.

Mnemonic	Type	Description
DHATA	W	DAC Holdoff on All Talk Addresses —DHATA causes a DAC holdoff on all commands in the range 0x40 to 0x5E inclusive. DIO8 is ignored for all command bytes. When performing a DAC holdoff due to DHATA, ISR1[CPT] sets.
DHALA	W	DAC Holdoff on All Listen Addresses —DHALA causes a DAC holdoff on all commands in the range 0x20 to 0x3E inclusive. DIO8 is ignored for all command bytes. When performing a DAC holdoff due to DHALA, ISR1[CPT] sets.
DHUNTL	W	DAC Holdoff on UNT and UNL —DHUNTL causes a DAC holdoff on the UNT and UNL commands. DIO8 is ignored on all command bytes. When performing a DAC holdoff due to DHUNTL, ISR1[CPT] sets.
DHALL	W	DAC Holdoff on All UCG, ACG, and SCG Commands —DHALL causes a DAC holdoff on all commands in the ranges 0x00 to 0x1F inclusive and 0x60 to 0x7F inclusive. DIO8 is ignored on all command bytes. When performing a DAC holdoff due to DHALL, ISR1[CPT] sets.

Auxiliary Register G (AUXRG)

Offset 0x0A in 4882 Register Set				Reset Value: 0x40			Write Only
0	1	0	0	0	0	0	CHES
7	6	5	4	3	2	1	0

AUXRG affects several different circuits. Refer to individual register bit descriptions.

Mnemonic	Type	Description
CHES	W	Change Holdoff on END Behavior —CHES prevents an RFD holdoff after receiving END when in normal holdoff mode. Normally when an END byte is received, Acceptor End Holdoff State (AEHS) is entered. AEHS is cleared when AUXMR[RHDF] is issued. When CHES is set, AEHS is immediately cleared when in normal holdoff mode.

Auxiliary Register I (AUXRI)

Offset 0x0A in 4882 Register Set				Reset Value: 0xE0			Write Only
1	1	1	0	USTD	PPMODE2	0	SISB
7	6	5	4	3	2	1	0

AUXRI affects several different circuits. Refer to individual register bit descriptions.

Mnemonic	Type	Description
USTD	W	Enable 1100ns T1 Delay —USTD effects the duration of the T1 delay.
PPMODE2	W	Parallel Poll Mode 2 —This bit, together with PPR[PPMODE1], determine how the device is configured for parallel polls. Refer to <i>Parallel Poll Response Manager</i> section of Chapter 4, <i>Functional Description—PCI4882 and GEN4882 Modes</i> , for a description of this bit.
SISB	W	Static Interrupt Bits —SISB controls the conditions that clear the bits in ISR0, ISR1, and ISR2. If SISB is cleared, reading one of these registers clears the bits in that register. If SISB is set, the bits are cleared as described in this manual. SISB should normally be set.

Auxiliary Register J (AUXRJ)

Offset 0x0A in 4882 Register Set

Reset Value: 0xF0

Write Only

1	1	1	1	TM[3:0]	
7	6	5	4	3	0

AUXRJ and AUXRK implement a general-purpose timer that can cause an interrupt. The timer can also be used in byte timeout mode. In this mode the timer restarts each time a byte is read from or written to the GFIFO.

Mnemonic	Type	Description
TM[3:0]	W	Timer —TM[3:0], together with AUXRK[TM[5:4]] determines the timeout duration of the timer. The timeout duration depends on the input clock frequency. The table in the following section, <i>Auxiliary Register K (AUXRK)</i> , shows the timeout duration assuming a 40 MHz clock. For other clock frequencies, the timeout duration can be scaled by the ratio of the frequencies.

Auxiliary Register K (AUXRK)

Offset 0x0F in 4882 Register Set						Reset Value: 0x00	Write Only
0	0	0	0	0	0	TM[5:4]	
7	6	5	4	3		0	

AUXRJ and AUXRK implement a general-purpose timer that can cause an interrupt. The timer can also be used in byte timeout mode. In this mode the timer restarts each time a byte is read from or written to the GFIFO.

Mnemonic	Type	Description
TM[5:4]	W	Timer —TM[5:4], together with AUXRJ[TM[3:0]] determines the timeout duration of the timer as specified in the following table. The timeout duration depends on the input clock frequency. The table shows the timeout duration assuming a 40 MHz clock. For other clock frequencies, the timeout duration can be scaled by the ratio of the frequencies.

TM[5:0]	Approximate Timeout Duration (40MHz Clock)
000000	Disabled
000001	16.0 μ s
000010	32.0 μ s
000011	128 μ s
000100	256 μ s
000101	1.02 ms
000110	4.10 ms
000111	16.4 ms
001000	32.8 ms
001001	131 ms
001010	262 ms
001011	1.05 s

TM[5:0]	Approximate Timeout Duration (40MHz Clock)
001100	4.19 s
001101	16.8 s
001110	33.6 s
001111	134 s
010001	300 s
100001	1,000 s

Bus Status Register (BSR)

Offset 0x1F in 4882 Register Set

Reset Value: 0x00

Read Only

ATN	DAV	NDAC	NRFD	EOI	SRQ	IFC	REN
7	6	5	4	3	2	1	0

The BSR is used to read the state of the GPIB Interface Management and Handshake signals.

Mnemonic	Type	Description
ATN	R	GPIB Monitor Bits —The BSR indicates the status of the GPIB signals.
DAV	R	
NDAC	R	
NRFD	R	
EOI	R	
SRQ	R	
IFC	R	
REN	R	

GPIB Transfer Configuration (CFG)

Offset 0x10 in 4882 Register Set

Reset Value: 0x00

Write Only

0	TLCHLTE	IN	A/BN	CCEN	0	0	16/8N
7	6	5	4	3	2	1	0

The CFG register is used to configure GPIB transfers.

Mnemonic	Type	Description
TLCHLTE	W	<p>Halt on TLC Interrupts—TLCHLTE determines which conditions halt the GPIB Transfer Manager (once it has been started with the CMDR[GO]). When TLCHLTE is set, the GPIB Transfer manager also halts when any enabled interrupt in IMR0, IMR1, or IMR2 asserts.</p> <p>When TLCHLTE is cleared, the GPIB Transfer manager halts when the CMDR[STOP] is issued or all of the bytes specified in the CNT3–0 registers have been transferred.</p> <p>In most applications, the GPIB Transfer manager should only be stopped in response to <i>some</i> of the IMR0, IMR1, or IMR2 interrupts. Typically, TLCHLTE is cleared. When an interrupt asserts, software determines whether the interrupt should stop the GPIB Transfer manager. CMDR[STOP] can then be issued to stop the GPIB Transfer manager.</p>
IN	W	<p>Direction—IN indicates the direction of the GPIB transfer. For sending commands or data, IN should be cleared. IN should be set for receiving data. Command bytes are received regardless of the state of IN.</p>
A/BN	W	<p>First FIFO—When packing and unpacking data into the FIFO in 16-bit mode, the GPIB Transfer Manager alternates writing (or reading) between the upper and lower bytes. If A/BN is cleared, the GPIB Transfer manager writes (or reads) the first byte to GFIFO[7:0]. If A/BN is set, the GPIB Transfer manager writes (or reads) the first byte to GFIFO[15:8].</p>

Mnemonic	Type	Description
CCEN	W	Send EOI# With Last Byte —When CCEN is set and the GPIB transfer manager is sending GPIB data, EOI# is asserted with the last byte of the transfer.
16/8N	W	16-bit Wide FIFO —When 16/8N is set, the GFIFO is 16-bits wide and may be accessed using byte or word accesses. When 16/8N is cleared, only the low-order byte of each position in the GFIFO is used. 16/8N should always be set unless the host is not capable of supporting 16 bit transfers to the TNT5002.

Command Register (CMDR)

Offset 0x1C in 4882 Register Set

Reset Value: 0x00

Write Only

CMDR_CMD
7 0

The CMDR is used to issue commands to the device. Once a command is written to the CMDR, it affects some part of the circuit and another command may be written immediately afterwards. All commands not appearing in the following table are reserved.

CMDR Command	Value	Description
GO	0x04	Go —The GO command starts the GPIB Transfer manager. GO clears the internal HALT signal. When HALT is set, the local nba and rdy messages become false. HALT must be cleared to transfer data bytes.
HARD_RESET	0x40	Hardware Reset —Issuing HARD_RESET has the same affect as asserting a hardware reset (PCI_RST# or RESET#). Refer to Chapter 8, <i>Reset Considerations</i> , for more information on resets.
RESET_FIFO	0x10	Reset FIFO —The RESET_FIFO command resets the FIFOs to the empty state.
SC/~SC	0x02/0x03	Set/Clear System Control Enable —These commands set and clear the System Controller functions.
SOFT_RESET	0x22	Software Reset —The SOFT_RESET command resets the GPIB Transfer manager. Specifically, SOFT_RESET: <ul style="list-style-type: none"> • Clears all bits in CFG, HSSEL, and IMR3 • Sets DONE, STOP, HALT, and GSYNC • Resets the GFIFO • Configures the CNT registers for 16-bit operation Refer to Chapter 8, <i>Reset Considerations</i> , for more information on resets.
STOP	0x08	Stop —The STOP command stops the GPIB Transfer manager. STOP sets the internal HALT signal. When HALT is set, the local nba and rdy messages become false. HALT must be cleared to transfer data bytes.

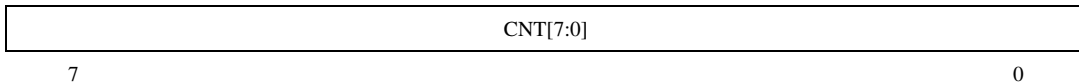
Count Registers (CNT0, CNT1, CNT2, CNT3)

CNT0

Offset 0x14 in 4882 Register Set

Reset Value: 0xFF

Read/Write

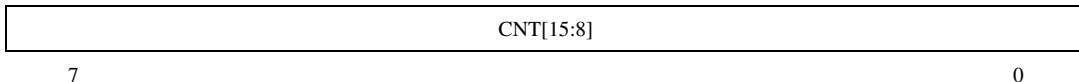


CNT1

Offset 0x16 in 4882 Register Set

Reset Value: 0xFF

Read/Write

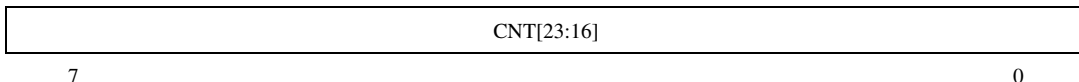


CNT2

Offset 0x09 in 4882 Register Set

Reset Value: 0xFF

Read/Write

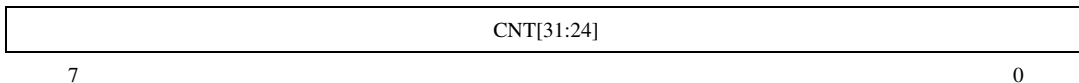


CNT3

Offset 0x0B in 4882 Register Set

Reset Value: 0xFF

Read/Write



The CNT registers store the two's complements of the count, in bytes, of the GPIB transfer.

Mnemonic	Type	Description
CNT[31:0]	R/W	<p>Transfer Count—CNT[31:0] specifies the number of bytes in the transfer. The two's complements of the desired byte count should be written to the CNT registers. The registers must be written in the following order: CNT0, CNT1, CNT2, CNT3.</p> <p>The CNT registers can be used in 16-bit or 32-bit mode. In 16-bit mode, CNT[31:16] are not used. The byte count is specified by writing the 16-bit two's complement of the desired byte count to CNT[15:0]. In 16-bit mode, never write to CNT[31:16].</p> <p>Whenever CNT3 or CNT2 is written, the TNT5002 changes to 32-bit mode. In this mode, the byte count is specified by writing the 32-bit two's complement of the desired byte count to CNT[31:0].</p> <p>CNT is incremented every time a byte is transferred between the GFIFOs and the GPIB.</p> <p>CNT can be read at any time to determine the two's complement of the remaining bytes to transfer; however, CNT should only be read while the GPIB Transfer Manager is stopped or during a holdoff. This ensures that the count will not change while being read.</p>

Command Pass Through Register (CPTR)

Offset 0x0A in 4882 Register Set

Reset Value: 0x00

Read Only

CPTR[7:0]
7 0

Mnemonic	Type	Description
CPTR[7:0]	R	Command Pass Through —The CPTR holds the results of parallel polls. After starting a parallel poll, wait for ISR0[CO] to set before reading the CPTR. CPTR also stores the last command byte received.

Chip Signature Register (CSR)

Offset 0x17 in 4882 Register Set Reset Value: 0x4C Read Only

7	6	5	4	3	2	1	0
VERSION[3:0]				1	R	0	0

The CSR contains a unique identifier to distinguish it from other GPIB ASICs.

Mnemonic	Type	Description
VERSION[3:0]	R	Version —This field indicates the version of the TNT5002. For this TNT5002, VERSION[3:0] reads back 0100. This value may change in future versions.

DAV Hold Time Register (DAV_HOLD)

Offset 0x11 in 4882 Register Set

Reset Value: 0x80

Write Only

1	0	0	DAV_HOLD[4:0]
7	6	5	4
			0

Mnemonic	Type	Description
DAV_HOLD[4:0]	W	<p>DAV Hold Time—DAV_HOLD determines the minimum time the Source state machine asserts DAV# during HS488 transfers when pmt is false. This is the amount of time the Source state machine remains in STRS. The DAV hold time is determined by the expression:</p> $\text{DAV hold time} = 25 \text{ ns} * (2 + \text{DAV_HOLD}[4:0])$

DIO Control Register (DCR)

Offset 0x1B in 4882 Register Set

Reset Value: 0x00

Write Only

DIO[8:1]
7 0

Mnemonic	Type	Description
DIO[8:1]	W	GPIB DIO Bits —Setting a bit in the DCR register causes the corresponding DIO# signal to assert (unless MISC[WRAP] is set).

DIO Setup Time Register (DIO_SETUP)

Offset 0x11 in 4882 Register Set

Reset Value: 0xC0

Write Only

1	1	0	DIO_SETUP[4:0]
7	6	5	4
			0

DIO_SETUP determines the setup time for DIO# during HS488 transfers.

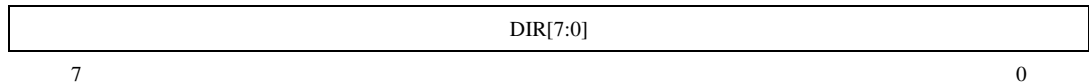
Mnemonic	Type	Description
DIO_SETUP[4:0]	W	<p>DIO Setup Time—DIO_SETUP determines the minimum setup time from the GPIB DIO lines being valid to DAV# asserting during HS488 transfers. This is the amount of time required to transition from SGNS to STRS. If HIER[NO_TSETUP] is set, the DIO_SETUP delay is 75 ns periods. If HIER[NO_TSETUP] is cleared, the DIO_SETUP delay is determined by the expression:</p> $\text{DIO setup delay} = 25 \text{ ns} * (4 + \text{DIO_SETUP}[4:0])$

Data In Register (DIR)

Offset 0x00 in 4882 Register Set

Reset Value: 0x00

Write Only



The DIR is implemented for backwards compatibility reasons. Do not use the DIR.

Mnemonic	Type	Description
DIR[7:0]	W	Data In —DIR contains the last data byte accepted.

DIO Status Register (DSR)

Offset 0x11 in 4882 Register Set

Reset Value: 0x00

Read Only

DIO[8:1]	
7	0

The DSR reflects the state of the GPIB DIO signals.

Mnemonic	Type	Description
DIO[8:1]	R	GPIB Monitor Bits —The DSR indicates the status of the DIO# signals. A bit that is read as set indicates that that DIO# signal is asserted.

End-of-String Register (EOSR)

Offset 0x0E in 4882 Register Set

Reset Value: 0x00

Write Only

EOSR[7:0]	
7	0

Mnemonic	Type	Description
EOSR[7:0]	W	<p>End Of String Character—The EOSR stores the byte used to detect the END condition. The EOSR is compared to each data byte received when AUXRA[REOS] is set. If EOS matches the data byte received, the END condition is true. AUXRA[BIN] determines whether 7 or 8 bits are compared.</p> <p>When AUXRA[XEOS] is set, each data byte sent is compared to the EOSR. If the data byte being sent matches EOS, EOI# is asserted with that data byte.</p> <p>If a Listener is configured to detect an EOS character sent by a Talker during an HS488 transfer, the Talker must write that byte to the EOSR and set HIER[PMT_W_EOS].</p>

GPIB FIFO (GFIFO)

GFIFO[15:8]

Offset 0x19 in 4882 Register Set

Reset Value: 0x00

Read/Write

GFIFO[15:8]	
7	0

GFIFO[7:0]

Offset 0x18 in 4882 Register Set

Reset Value: 0x00

Read/Write

GFIFO[7:0]	
7	0

The FIFO buffers data during GPIB transfers.

Mnemonic	Type	Description
GFIFO[15:8] GFIFO[7:0]	R/W R/W	GPIB FIFO —The GPIB FIFO buffers data to and from the GPIB during GPIB transfers. Internally, the GFIFO is 16 positions deep and either 1 or 2 bytes wide, as configured by CFG[16/8N]. When reading and writing data from and to the GFIFO, the GPIB Transfer Manager alternates writing or reading bytes to the upper and lower bytes of the GFIFO. The GPIB Transfer manager writes (or reads) the first byte to GFIFO[7:0] when CFG[A/BN] is cleared and to GFIFO[15:8] when CFG[A/BN] is set.

High-Speed Enable Register (HIER)

Offset 0x3 in 4882 Register Set

Reset Value: 0x00

Write Only

DG[1:0]	0	NO_TSETUP	0	0	0	PMT_W_EOS	
7	6	5	4	3	2	1	0

AUXRI affects several different circuits. Refer to individual register bit descriptions.

Mnemonic	Type	Description															
DG[1:0]	W	<p>Deglitch Selector—DAV# is deglitched when receiving command bytes or data bytes. The minimum pulse accepted is the minimum time that DAV# must remain continuously asserted to be detected by the Acceptor state machine. The maximum pulse ignored is the maximum time that DAV# can remain continuously asserted and be ignored by the Acceptor state machine. The following table lists how DAV# is deglitched when using a 40 MHz clock:</p> <table border="1"> <thead> <tr> <th>DG[1:0]</th> <th>Minimum Pulse Accepted (ns)</th> <th>Maximum Pulse Ignored (ns)</th> </tr> </thead> <tbody> <tr> <td>00</td> <td>25</td> <td>12</td> </tr> <tr> <td>10</td> <td>37</td> <td>25</td> </tr> <tr> <td>11</td> <td>75</td> <td>50</td> </tr> <tr> <td><i>others</i></td> <td>Reserved</td> <td>Reserved</td> </tr> </tbody> </table>	DG[1:0]	Minimum Pulse Accepted (ns)	Maximum Pulse Ignored (ns)	00	25	12	10	37	25	11	75	50	<i>others</i>	Reserved	Reserved
DG[1:0]	Minimum Pulse Accepted (ns)	Maximum Pulse Ignored (ns)															
00	25	12															
10	37	25															
11	75	50															
<i>others</i>	Reserved	Reserved															
NO_TSETUP	W	<p>No Extra DIO_SETUP Setup Delay—NO_TSETUP and the DIO_SETUP register determine the setup time from the DIO lines being valid to DAV# asserting during HS488 transfers. If NO_TSETUP is set, the DIO setup time is 75 ns.</p>															
PMT_W_EOS	W	<p>Assert pmt With EOS—Setting this bit causes the Source to keep DAV# asserted for a longer period of time when using an EOS character during HS488 transfers. When PMT_W_EOS is set, the duration of DAV# assertions when the EOS byte is sourced is determined by NIC_DELAY rather than DAV_HOLD. The Talker must write the EOS byte to the EOSR and set PMT_W_EOS when a listener is configured to detect EOS bytes when using HS488.</p>															

Handshake Select Register (HSSEL)

Offset 0x0D in 4882 Register Set

Reset Value: 0x01

Write Only

0	ALTER_RDY	GOTOSIDS	NODMA	0	0	0	ONEC
7	6	5	4	3	2	1	0

AUXRI affects several different circuits. Refer to individual register bit descriptions.

Mnemonic	Type	Description
ALTER_RDY	W	<p>Alter GFIFO_RDY bit—An internal GFIFO_RDY signal is used to control DMA transfers. When ALTER_RDY is cleared, this signal is defined as:</p> $\text{GFIFO_RDY} = \sim\text{HALT} \& [(\text{IN} \& \text{ALMOST_FULL}) \text{ or } (\sim\text{IN} \& \text{ALMOST_EMPTY})]$ <p>When ALTER_RDY is set, this signal is defined as:</p> $\text{GFIFO_RDY} = \sim\text{HALT} \& [(\text{IN} \& \text{ALMOST_EMPTY}) \text{ or } (\sim\text{IN} \& \text{ALMOST_FULL})]$ <p>ALMOST_FULL and ALMOST_EMPTY refer to the GPIB Transfer Manager FIFOs.</p>
GOTOSIDS	W	<p>Go To SIDS—Setting GOTOSIDS forces the Source Handshake interface function to enter its idle state (SIDS). This bit can be used in a routine that aborts a GPIB write transfer (data bytes or command bytes). A byte may be lost if GOTOSIDS is issued while actively sourcing a byte onto the GPIB. The Source State Machine remains in SIDS until GOTOSIDS is cleared.</p>
NODMA	W	<p>Disable DMA—When NODMA is cleared, the internal DRQ (DMA request) signal is generated when data needs to be transferred to or from the GFIFO. The DMA Controller responds by doing a DMA transfer to the GFIFO. When NODMA is set, DRQ is ignored and DMA transfers cannot occur.</p>
ONEC	W	<p>One Chip Mode—ONEC is only implemented for backwards compatibility reasons. This bit does not have the same functionality it did in the TNT4882C. Do not clear this bit.</p>

Interrupt Mask Register 0 (IMR0)

Offset 0x1D in 4882 Register Set

Reset Value: 0x80

Write Only

GLINT	STBO IE	NLEN	BTO	IFCI IE	ATNI IE	TO IE	SYNC IE
7	6	5	4	3	2	1	0

IMR0 contains interrupt enables for ISR0 and internal control bits.

Mnemonic	Type	Description
GLINT	W	Enable Certain Interrupts —GLINT enables IMR0, IMR1, and IMR2 interrupts. GLINT is redundant with IMR3[TLCINT IE], so always set GLINT. Writing AUXMR[SETSWRST] sets GLINT.
STBO IE	W	Status Byte Out Interrupt Enable —Setting STBO IE enables Serial Poll Mode SP2. Setting STBO IE also generates an interrupt when the GPIB Controller serial polls the device.
NLEN	W	Newline Enable —When NLEN is set, the 7-bit ASCII newline character (0xA) is treated as an EOS character. When a newline data byte is accepted, the Acceptor behaves as if the EOI# signal was asserted when the byte was accepted. Normally, the EOS character is written to the EOSR. NLEN allows the Acceptor to recognize two different EOS characters: newline and the EOSR character.
BTO	W	Byte Timeout —When BTO is set, the Timer is reset whenever a data byte is sent or received or whenever a command byte is sent.
IFCI IE	W	IFC# Interrupt Enable —IFCI IE enables an interrupt when the IFCI condition is true.
ATNI IE	W	ATN# Interrupt Enable —ATNI IE enables an interrupt when the ATNI condition is true.
TO IE	W	Timeout Interrupt Enable —TO IE enables an interrupt when the TO condition is true.
SYNC IE	W	GPIB Synchronized Interrupt Enable —SYNC IE enables an interrupt when the SYNC condition is true.

Interrupt Mask Register 1 (IMR1)

Offset 0x02 in 4882 Register Set

Reset Value: 0x00

Write Only

CPT IE	APT IE	DET IE	END IE	DEC IE	ERR IE	DO IE	DI IE
7	6	5	4	3	2	1	0

IMR1 contains interrupt enables for interrupts in ISR1.

Mnemonic	Type	Description
CPT IE	W	Command Pass Through Interrupt Enable —CPT IE enables an interrupt when the CPT condition is true.
APT IE	W	Address Pass Through Interrupt —APT IE enables an interrupt when the APT condition is true.
DET IE	W	Device Trigger Interrupt Enable —DET IE enables an interrupt when the the DET condition is true.
END IE	W	END Interrupt Enable —END IE enables an interrupt when the END condition is true.
DEC IE	W	Device Clear Interrupt Enable —DEC IE enables an interrupt when the the DEC condition is true.
ERR IE	W	Error Interrupt Enable —ERR IE enables an interrupt when the ERR condition is true.
DO IE	W	Data Out Interrupt Enable —DO IE enables an interrupt when the DO condition is true.
DI IE	W	Data In Interrupt Enable —DI IE enables an interrupt when the DI condition is true.

Interrupt Mask Register 2 (IMR2)

Offset 0x04 in 4882 Register Set					Reset Value: 0x00	Write Only	
0	0	0	0	0	LOKC IE	REMC IE	ADSC IE
7	6	5	4	3	2	1	0

IMR2 contains interrupt enables for interrupts in ISR2.

Mnemonic	Type	Description
LOKC IE	W	Lockout Change Interrupt Enable —LOKC IE enables an interrupt when the LOKC condition is true.
REMC IE	W	Remote Change Interrupt Enable —REMC IE enables an interrupt when the REMC condition is true.
ADSC IE	W	Address Status Change Interrupt Enable —ADSC IE enables an interrupt when the ADSC condition is true.

Interrupt Mask Register 3 (IMR3)

Offset 0x12 in 4882 Register Set

Reset Value: 0x00

Read/Write

0	GFIFO_RDY IE	0	STOP IE	NFF IE	NEF IE	TLCINT IE	DONE IE
7	6	5	4	3	2	1	0

IMR3 contains interrupt enables for interrupts in ISR3.

Mnemonic	Type	Description
GFIFO_RDY IE	R/W	GFIFO_RDY Interrupt Enable —GFIFO_RDY IE enables an interrupt when the GFIFO_RDY condition is true. Reading GFIFO_RDY IE returns the value of the interrupt enable bit, not the GFIFO_RDY condition.
STOP IE	R/W	STOP Interrupt Enable —STOP IE enables an interrupt when the STOP condition is true. Reading STOP IE returns the value of the interrupt enable bit, not the STOP condition.
NFF IE	R/W	FIFO Not Full Interrupt Enable —NFF IE enables an interrupt when the NFF condition is true. Reading NFF IE returns the value of the interrupt enable bit, not the NFF condition.
NEF IE	R/W	FIFO Not Empty Interrupt Enable —NEF IE enables an interrupt when the NEF condition is true. Reading NEF IE returns the value of the interrupt enable bit, not the NEF condition.
TLCINT IE	R/W	TLC Interrupt Enable —TLCINT IE enables the TNT5002 to generate an interrupt when TLCINT asserts.
DONE IE	R/W	DONE Interrupt Enable —DONE IE enables an interrupt when the DONE condition is true. Reading DONE IE returns the value of the interrupt enable bit, not the DONE condition.

Interrupt Status Register 0 (ISR0)

Offset 0x1D in 4882 Register Set

Reset Value: 0x00

Read Only

NBA	STBO	NL	EOS	IFCI	ATNI	TO	SYNC
7	6	5	4	3	2	1	0

ISR0 contains various status bits that can cause an interrupt when enabled in IMR0.

Mnemonic	Type	Description
NBA	R	New Byte Available —NBA reflects the local nba message, which indicates that the SH interface function has bytes to send. Specifically, NBA = \sim CFGR[IN] & \sim (FIFO empty).
STBO	R	Status Byte Out —STBO sets when the Talker enters SPAS (Serial Poll Active State) during a serial poll. STBO clears after writing to the SPMR or when SPAS becomes false.
NL	R	Newline Received —NL indicates whether the last data byte received was a newline character (0x0A). NL sets and clears regardless of the value of IMR0[NLEN].
EOS	R	End-of-String —EOS indicates that the last data byte received satisfies the EOS condition. ISR1[END] should be used instead of EOS to detect the end of a read transfer. EOS is set by: LACS & EOS & REOS & ACDS EOS is cleared by: pon + \sim REOS + (LACS & \sim EOS & ACDS)
IFCI	R	IFC Interrupt —IFCI is set when the GPIB IFC# signal asserts. Writing AUXMR[CLR_IFCI] clears IFCI. The GPIB state machines detect and appropriately handle IFC# without any intervention. IFC# should not have any other affect on the device, so devices should not monitor or interrupt on IFCI.
ATNI	R	ATN Interrupt —ATNI is set when the GPIB ATN# signal asserts. Writing AUXMR[CLR_ATNI] clears ATNI. The GPIB state machines detect the ATN# signal and interpret it appropriately without any intervention.

Mnemonic	Type	Description
TO	R	Timeout —TO sets when the timer reaches its timeout value. Writing any value to TM[3:0] clears TO.
SYNC	R	<p>GPIB Synchronized—SYNC detects whether the GPIB is synchronized. This bit is controlled by an internal state machine with 3 states: SYNC, NOSYNC1, and NOSYNC2. The state machine enters SYNC on reset or when the AUXMR[SET_SYNC] is issued. The state transition terms are:</p> <p> SYNC to NOSYNC1 = AUXMR[CLR_SYNC] NOSYNC1 to NOSYNC2 = DAV# & (TACS + CACS) NOSYNC2 to SYNC = ~DAV# SYNC to NOSYNC2 = DAV# & LACS </p>

Interrupt Status Register 1 (ISR1)

Offset 0x02 in 4882 Register Set

Reset Value: 0x00

Read Only

CPT	APT	DET	END	DEC	ERR	DO	DI
7	6	5	4	3	2	1	0

ISR1 contains various status bits that can cause an interrupt when enabled in IMR1.

Mnemonic	Type	Description
CPT	R	<p>Command Pass Through—CPT indicates that a command that must be processed by software was received. In the following description, a primary command is any command in the range (0x0–0x5F) and a secondary command is any command in the range (0x60–0x7F). The most significant bit (DIO8) of the command byte is always ignored.</p> <p>When AUXRB[CPT_ENABLE] is set, CPT sets when an undefined primary command is received. The following commands are always undefined: 0x10, 0x12, 0x13, 0x16, 0x17, 0x1A–0x1F. If addressed to talk or listen, the following commands are also undefined: 0x0, 0x2, 0x3, 0x6, 0x7, 0xA–0xF</p> <p>If the last primary command received was undefined, CPT also sets on any secondary command.</p> <p>When CPT sets, a DAC holdoff occurs. A DAC holdoff prevents the Controller from sending more command bytes. Write AUXMR[VALID] to clear the DAC holdoff.</p> <p>Reading the CPTR clears CPT. Clearing IMR1[CPT] clears CPT and disables the circuitry that detects undefined commands.</p> <p>CPT is set by:</p> $[UCG + (ACG \& (TADS + LADS))] \& \text{undefined} \& ACDS \& AUXRB[CPT_ENABLE]$ <p>+ UDPCF & SCG & ACDS & AUXRB[CPT_ENABLE]</p> <p>+ AUXRE[DHADT] & GET & LADS</p> <p>+ AUXRE[DHADC] & (SDC + DCL) & ACDS</p> <p>+ AUXRF[DHATA] & TAG & ~UNT & ACDS</p> <p>+ AUXRF[DHALA] & LAG & ~UNL & ACDS</p> <p>+ AUXRF[DHUNTL] & (UNT + UNL) & ACDS</p> <p>+ AUXRF[DHALL] & ATN & ACDS</p>

Mnemonic	Type	Description
CPT (continued)		CPT is cleared by: pon + ((read ISR1) & ~AUXRI[SISB]) + ((read CPTR) & AUXRI[SISB])
APT	R	<p>Address Pass Through—In Extended Dual Addressing mode (ADMR is 0x33), APT sets when receiving a secondary command immediately after receiving MLA or MTA. When APT sets, a DAC holdoff occurs.</p> <p>Specifically, APT is set by: (Extended Dual Addressing) & (TPAS + LPAS) & SCG & ACDS</p> <p>APT is cleared by: pon + AUXRI[SISB] & (AUXMR[VALID] + AUXMR[INVALID]) + ((read ISR1) & ~AUXRI[SISB])</p>
DET	R	<p>Device Trigger State—DET sets when the Device Trigger command is received (GET when the device is listen addressed). DET is cleared by writing AUXMR[CLR_DET].</p> <p>DET is set by: GET & LADS & ACDS</p> <p>DET is cleared by: pon + ((read ISR1) & AUXRI[SISB]) + AUXMR[CLR_DET]</p>

Mnemonic	Type	Description
END	R	<p>END Received—END sets after receiving a byte satisfying the END condition. A byte satisfies the END condition if the Talker asserts EOI# when it sends the byte or AUXRA[REOS] is set and the byte matches the contents of the EOSR.</p> <p>END is set by: $LACS \& (EOI + (EOS \& AUXRA[REOS]) + (NL \& IMRO[NLEN]))$</p> <p>END is cleared by: $pon + ((read\ ISR1) \& \sim AUXRI[SISB]) + AUXMR[CLR_END]$</p>
DEC	R	<p>Device Clear State—DEC sets when the Device Clear command is received (either SDC when the device is listen addressed or DCL). DEC is cleared by writing AUXMR[CLR_DEC].</p> <p>DEC is set by: $(DCL + (SDC \& LADS)) \& ACDS$</p> <p>DEC is cleared by: $pon + ((read\ ISR1) \& \sim AUXRI[SISB]) + AUXMR[CLR_DEC]$.</p>
ERR	R	<p>Error—ERR sets when the TNT5002 tries to send a data or command byte but detects no Listeners on the GPIB. ERR is cleared by writing to AUXMR[CLR_ERR].</p> <p>ERR is set by: $SDYS \& T1 \& \sim SHAS \& RFD \& EXTDAC$</p> <p>ERR is cleared by: $pon + ((read\ ISR1) \& \sim AUXRI[SISB]) + AUXMR[CLR_ERR]$</p>

Mnemonic	Type	Description
DO	R	<p>Data Out Interrupt—DO sets whenever the Talker state machine is in TACS and the TNT5002 has no data to send. DO can be used instead of ISR2[ADSC] to determine when to begin a routine that sends data bytes.</p> <p>DO is set by: TACS & SGNS & ~nba</p> <p>DO is cleared by: pon + ((read ISR1) & ~AUXRI[SISB]) + ~TACS + ~SGNS + nba</p>
DI	R	<p>Data In—DI indicates that the Acceptor has accepted a data byte while in SPMS.</p> <p>DI is set by: ~Continuous Holdoff Mode & SPMS & LACS & DAV & ~ATN#</p> <p>DI is cleared by: pon + ((read ISR1) & ~AUXRI[SISB]) + (AUXMR[RHDF] & Holdoff) + (~SPMS)</p>

Interrupt Status Register 2 (ISR2)

Offset 0x04 in 4882 Register Set

Reset Value: 0x00

Read Only

INT	SRQI	LOK	REM	0	LOKC	REMC	ADSC
7	6	5	4	3	2	1	0

ISR2 contains various status bits that can cause an interrupt when enabled in IMR2.

Mnemonic	Type	Description
INT	R	<p>Interrupt—INT is exactly the same as ISR3[TLCINT].</p> $\text{INT} = \text{IMR0}[\text{GLINT}] \& \{$ <ul style="list-style-type: none"> + (IMR2[LOKC IE] & ISR2[LOKC]) + (IMR2[REMC IE] & ISR2[REMC]) + (IMR2[ADSC IE] & ISR2[ADSC]) + (IMR1[CPT IE] & ISR1[CPT]) + (IMR1[APT IE] & ISR1[APT]) + (IMR1[DET IE] & ISR1[DET]) + (IMR1[END IE] & ISR1[END]) + (IMR1[DEC IE] & ISR1[DEC]) + (IMR1[ERR IE] & ISR1[ERR]) + (IMR1[DO IE] & ISR1[DO]) + (IMR1[DI IE] & ISR1[DI]) + (IMR0[STBO IE] & ISR0[STBO]) + (IMR0[IFCI IE] & ISR0[IFCI]) + (IMR0[ATNI IE] & ISR0[ATNI]) + (IMR0[TO IE] & ISR0[TO]) + (IMR0[SYNC IE] & ISR0[SYNC]) $\}$
LOK	R	<p>Lockout State—This bit is set when the Remote/Local state machine is in a lockout state (RWLS or LWLS) and is cleared when in a non-lockout state (REMS or LOCS).</p>
REM	R	<p>Remote State—This bit is cleared when the Remote/Local state machine is in a local state (LOCS or LWLS) and is set when in a remote state (REMS or RWLS).</p>
LOKC	R	<p>LOK Change—LOKC sets when value of the ISR2[LOK] changes.</p> <p>LOKC is cleared by:</p> <p>pon</p> $+ \text{AUXMR}[\text{CLR_LOK}] + ((\text{read ISR2}) \& \sim \text{AUXRI}[\text{SISB}])$

Mnemonic	Type	Description
REMC	R	<p>REM Change—REMC sets when value of the ISR2[REM] changes.</p> <p>REMC is cleared by: pon + AUXMR[CLR_REM] + ((read ISR2) & ~AUXRI[SISB])</p>
ADSC	R	<p>Address Status Change—ADSC indicates that the addressing state has changed. ADSC sets after:</p> <ul style="list-style-type: none"> • Being addressed or unaddressed to talk • Being addressed or unaddressed to listen <p>ADSC is set by: ~(lon + ton) & (any change in ADSR[TA, LA, or MINOR])</p> <p>ADSC is cleared by: pon + (read ISR2) & ~AUXRI[SISB] + AUXMR[CLR_ADSC] + ADMR[LON] + ADMR[TON]</p>

Interrupt Status Register 3 (ISR3)

Offset 0x1A in 4882 Register Set

Reset Value: 0x00

Read Only

INT	GFIFO_RDY	R	STOP	NFF	NEF	TLCINT	DONE
7	6	5	4	3	2	1	0

ISR3 contains various status bits that can cause an interrupt when enabled in IMR3. PCI_INTA# is the logical OR of ISR3[INT] and LCISR2[DMA].

Mnemonic	Type	Description
INT	R	<p>Interrupt—INT indicates that an enabled IMR3 interrupt is asserting.</p> $\text{INT} = (\text{GFIFO_RDY IE} \ \& \ \text{GFIFO_RDY}) \\ + (\text{STOP IE} \ \& \ \text{STOP}) \\ + (\text{NFF IE} \ \& \ \text{NFF}) \\ + (\text{NEF IE} \ \& \ \text{NEF}) \\ + (\text{TLCINT IE} \ \& \ \text{TLCINT}) \\ + (\text{DONE IE} \ \& \ \text{DONE})$ <p>The INTA# pin asserts whenever INT is set.</p>
GFIFO_RDY	R	<p>GFIFO Ready—GFIFO_RDY indicates that the GFIFO is ready for several transfers. During GPIB reads, GFIFO_RDY indicates that the FIFO is at least 75% full and the transfer is not halted. During GPIB writes and sending commands, GFIFO_RDY indicates that the FIFO is at least 75% empty and the transfer is not halted</p> $\text{GFIFO_RDY} = \sim\text{HALT} \\ \& ((\text{FIFOs } 75\% \text{ Empty} \ \& \ \sim\text{CFGR}[\text{IN}]) \\ + (\text{FIFOs } 75\% \text{ Full} \ \& \ \text{CFGR}[\text{IN}]))$
STOP	R	<p>GPIB Transfer Manager Stopped—STOP indicates that the transfer manager has stopped transferring bytes between the GFIFOs and the GPIB. The transfer manager stops when either all of the bytes specified by CNT have been transferred or CMDR[STOP] is issued.</p>
NFF	R	<p>Not Full FIFO—NFF indicates that the GFIFO is not full. Assuming the GFIFO has been configured as 16-bits wide, NFF sets when at least one word may be written to the GFIFO. NFF clears when there is not room for at least one word in the GFIFO.</p>

Mnemonic	Type	Description
NEF	R	<p>Not Empty FIFO—NEF indicates that the GFIFO is not empty. Assuming the GFIFO has been configured as 16-bits wide, NEF sets when at least one word may be read from the GFIFO; or, when one byte may be read from the GFIFO and STS1[HALT] is set and STS1[DONE] is not set. NEF clears when there is less than one word in the GFIFO while STS1[HALT] is not set or when STS1[DONE] is set.</p>
TLCINT	R	<p>TLC Interrupt—TLCINT indicates whether an enabled IMR0, IMR1, or IMR2 interrupt is asserting.</p> <p>TLCINT = IMR0[GLINT]& { + (IMR2[LOKC IE] & ISR2[LOKC]) + (IMR2[REMC IE] & ISR2[REMC]) + (IMR2[ADSC IE] & ISR2[ADSC]) + (IMR1[CPT IE] & ISR1[CPT]) + (IMR1[APT IE] & ISR1[APT]) + (IMR1[DET IE] & ISR1[DET]) + (IMR1[END IE] & ISR1[END]) + (IMR1[DEC IE] & ISR1[DEC]) + (IMR1[ERR IE] & ISR1[ERR]) + (IMR1[DO IE] & ISR1[DO]) + (IMR1[DI IE] & ISR1[DI]) + (IMR0[STBO IE] & ISR0[STBO]) + (IMR0[IFCI IE] & ISR0[IFC]) + (IMR0[ATNI IE] & ISR0[ATNI]) + (IMR0[TO IE] & ISR0[TO]) + (IMR0[SYNC IE] & ISR0[SYNC])}</p> <p>TLCINT IE enables the TNT5002 to generate a PCI interrupt when TLCINT asserts.</p>
DONE	R	<p>DONE—At the end of a transfer, DONE indicates that all devices on the GPIB have finished the transfer. DONE only sets after STOP sets.</p> <p>DONE = (GSYNC & ~CFG[IN]) + (GFIFO empty & CFG[IN])</p>

Key Control Register (KEYREG)

Offset 0x17 in 4882 Register Set

Reset Value: 0x00

Write Only

0	0	MSTD	NO_T1	0	0	0	0
7	6	5	4	3	2	1	0

KEYREG contains bits that affect the T1 delay.

Mnemonic	Type	Description
MSTD	W	Enable 350ns T1 Delay —MSTD affects the duration of the T1 delay.
NO_T1	W	Enable 50ns T1 Delay —NO_T1 affects the duration of the T1 delay.

Miscellaneous Register (MISC)

Offset 0x15 in 4882 Register Set

Reset Value: 0x00

Write Only

0	0	0	HSE	SLOW	WRAP	NOAS	NOTS
7	6	5	4	3	2	1	0

MISC affects several different circuits. Refer to individual register bit descriptions.

Mnemonic	Type	Description
HSE	W	HS488 Enable —When HSE is set, HS488 is enabled. When HSE is cleared, the traditional 3-wire transfers are always used. Even when HSE is set, transfers only use the HS488 protocol if both the Talker and Listener are capable of HS488 transfers. The Source state machine detects this condition without intervention and automatically selects between HS488 and 3-wire handshake protocols.
SLOW	W	Slow Handshake Lines —Setting SLOW enables circuitry that increases the time NRFD# or NDAC# must be unasserted before the Source state machine responds to the unassertion. The sampling of NRFD# and NDAC# is delayed by 40 clock periods when SLOW is set. Setting SLOW may help communication to a few devices that do not meet the <i>IEEE 488.1</i> standard.
WRAP	W	Wrap Back —When WRAP is set, the GPIB pins are tristated, but the GPIB signals are fed back into the TNT5002. The external state of each signal is ignored. This bit may be used to allow diagnostics to run without disconnecting GPIB cables from the board.
NOAS	W	No HALT on ATN# or STBO Interrupts —NOAS prevents HALT from asserting due to ISR0[ATN] or ISR0[STBO] interrupts.
NOTS	W	No HALT on Timeout or SRQI Interrupts —NOTS prevents HALT from asserting due to ISR0[TIMO] or ISR2[SRQI] interrupts.

Non-Interlocked Capable Delay Register (NIC_DELAY)

Offset 0x11 in 4882 Register Set

Reset Value: 0x40

Write Only

0	1	0	NIC_DELAY[4:0]	
7	6	5	4	0

NIC_DELAY determines the length of the NRFD pulse at the beginning of an HS488 transfer.

Mnemonic	Type	Description
NIC_DELAY[4:0]	W	<p>NIC Delay—NIC_DELAY determines the minimum time the Source state machine sends NIC at the beginning of an HS488 transfers. NIC_DELAY also determines the minimum time the Source state machine asserts DAV# when pmt is true. The NIC delay is determined by the expression:</p> $\text{NIC delay} = 25 \text{ ns} * (2 + \text{NIC_DELAY}[4:0])$

Parallel Poll Register (PPR)

Offset 0x0A in 4882 Register Set

Reset Value: 0x70

Write Only

0	1	1	PPMODE1	SENSE	LPPE[2:0]
7	6	5	4	5	2
					0

PPR is used to configure Parallel Poll responses.

Mnemonic	Type	Description															
PPMODE1	W	Parallel Poll Mode 1 —This bit, together with AUXRI[PPMODE2], determine how the device is configured for parallel polls. Refer to the <i>Parallel Poll Response Manager</i> section of Chapter 4, <i>Functional Description—PCI4882 and GEN4882 Modes</i> , for more information.															
SENSE	W	Sense —The state of the DIO line selected by LPPE during a parallel poll response is described in the following table: <table border="1" style="margin-left: 40px;"> <thead> <tr> <th>SENSE</th> <th>ist</th> <th>DIO Line</th> </tr> </thead> <tbody> <tr> <td>0</td> <td>0</td> <td>asserted</td> </tr> <tr> <td>0</td> <td>1</td> <td>unasserted</td> </tr> <tr> <td>1</td> <td>0</td> <td>unasserted</td> </tr> <tr> <td>1</td> <td>1</td> <td>asserted</td> </tr> </tbody> </table> <p>DIO lines are driven with open-collector drivers during parallel polls. DIO lines that are not asserted (driven low) are not actively driven high. This allows different devices to simultaneously drive different DIO signals.</p>	SENSE	ist	DIO Line	0	0	asserted	0	1	unasserted	1	0	unasserted	1	1	asserted
SENSE	ist	DIO Line															
0	0	asserted															
0	1	unasserted															
1	0	unasserted															
1	1	asserted															
LPPE[2:0]	W	Local Parallel Poll Configuration —In Local Parallel Poll Configuration, LPPE[2:0] configures how the Parallel Poll Response Manager responds to parallel polls. In Local Parallel Poll Configuration mode, the Parallel Poll Response Manager is configured as if it received a PPE command of 0x6n where $n = LPPE[2:0]$.															

Programmable T1 Register (PT1)

Offset 0x11 in 4882 Register Set

Reset Value: 0x00

Write Only

0	0	PT1_ENA	PT1[4:0]
7	6	5	4
			0

PT1 is used to specify the T1 delay for Source state machine.

Mnemonic	Type	Description
PT1_ENA	W	<p>Programmable T1 Enable—When PT1_ENA is set, the Source state machine uses PT1[4:0] to determine the length of the T1 delay for sending the second and subsequent data bytes.</p> <p>When the TNT5002 sends command bytes or data bytes to GPIB devices using the traditional 3-wire handshake, the Source state machine first drives the data byte or command byte value on the DIO[8:1] pins. After waiting for a certain delay (know as the T1 delay), DAV# is asserted to indicate that the DIO[8:1] signals are valid. <i>IEEE 488.1</i> has certain requirements for the duration of the T1 delay. The programmable T1 delay does not affect GPIB read operations or sending command bytes.</p>
PT1[4:0]	W	<p>Programmable T1 Delay—When PT1_ENA is set, the T1 delay for command bytes and the first data byte of a string is 44 clock periods. For other data bytes, the T1 delay when using a clock with period T is:</p> $T1 = T * (2 + PT1[4:0])$ <p>For example, if the clock period is 25 ns and PT1[4:0] = 10010. The T1 delay is:</p> $25 \text{ ns} * (2 + 18) = 25 \text{ ns} * 20 = 500 \text{ ns.}$ <p>For most applications not using HS488, PT1[4:0] should be configured for 500 ns if PT1_ENA is set.</p>

Source/Acceptor Status Register (SASR)

Offset 0x1B in 4882 Register Set

Reset Value: 0x00

Read Only

NBA	AEHS	ANHS1	ANHS2	ADHS	ACRDY	SH1A	SH1B
7	6	5	4	3	2	1	0

The SASR reflects various internal states and signals.

Mnemonic	Type	Description
NBA	R	New Byte Available —NBA reflects the local nba message, which indicates that the SH interface function has a byte to send. Specifically, NBA = ~CFGR[IN] & ~(FIFO empty).
AEHS	R	Acceptor End Holdoff State —AEHS sets after receiving a data byte with EOI# asserted, receiving a data byte matching the EOSR when AUXRA[REOS] is true, or receiving the NL character (0x0A) when IMR0[NLEN] is true. AEHS is cleared by writing AUXMR[RHDF].
ANHS1	R	Acceptor Not Ready Holdoff —ANHS1 sets when the Acceptor receives a data byte with EOI# asserted, receives a data byte matching the EOSR when AUXRA[REOS] is true, or receives the NL character (0x0A) when NLEN is true. ANHS1 also sets when a data byte is accepted when the Acceptor is not in Continuous Holdoff mode. ANHS1 is cleared when holdoff is false, AUXMR[RHDF] is issued, or AUXMR[LTN_CONT] is issued.
ANHS2	R	Acceptor Not Ready Holdoff Immediately —ANHS2 is set by writing AUXMR[HLDI]. ANHS2 is cleared by writing AUXMR[RHDF].
ADHS	R	Acceptor Data Holdoff State —ADHS sets when a DAC holdoff is active. ADHS is cleared by AUXMR[VALID] or AUXMR[INVALID].

Mnemonic	Type	Description
ACRDY	R	<p>Acceptor Ready State—ACRDY can be used with ADSR[LA], ADSR[ATNN], BSR[DAV], and SASR[ADHS] to determine the state of the Acceptor Handshake function. The preferred method of reading the Acceptor Handshake state is by reading STR1.</p> <p>AIDS = ADSR[ATNN] & ~ADSR[LA] ANRS = ~AIDS & ~ACRDY & ~ADSR[DAV] ACRS = ~AIDS & ACRDY & ~ADSR[DAV] ACDS = ~AIDS & ACRDY & ADSR[DAV] + ~AIDS & ~ACRDY & ADSR[DAV] & ADSR[ATNN] & ADHS AWNS = ~AIDS & ~ACRDY & ADSR[DAV] & (ADSR[ATNN] & ADHS)</p>
SH1A, SH1B	R	<p>Source Handshake State bits—The Source Handshake state can be used with ADSR[TA], ADSR[SPMS], and ADSR[ATN#] to determine the state of the Source Handshake function. The preferred method of reading the Source Handshake state is by reading STR2.</p> <p>SIDS = ~(ADSR[TA] & ADSR[ATNN]) SGNS = ~SIDS & ~SH1A & ~SH1B SDYS = ~SIDS & SH1A STRS = ~SIDS & ~SH1A & SH1B</p>

Serial Poll Mode Register (SPMR)

Offset 0x06 in 4882 Register Set

Reset Value: 0x00

Write Only

STB[8]	RSV_RQS	STB[6:1]	
7	6	5	0

The contents of the SPMR are driven onto DIO# when the device is serial polled.

Mnemonic	Type	Description
STB[8,6:1]	W	Status Byte —These bits are used to create the serial poll response to send to the GPIB Controller.
RSV_RQS	W	<p>Request Service—The meaning of this bit depends on the Serial Poll Mode.</p> <ul style="list-style-type: none"> • Mode SP1—Always clear this bit • Mode SP2—This bit is the RQS bit returned in a serial poll response • Mode SP3—Setting this bit causes SRQ to assert. <p>Refer to the <i>Serial Poll Response Manager</i> section of Chapter 4, <i>Functional Description—PCI4882 and GEN4882 Modes</i>, for more information.</p>

Serial Poll Status Register (SPSR)

Offset 0x06 in 4882 Register Set			Reset Value: 0x00	Read Only
STB8	PEND		STB[6:1]	
7	6	5	0	

The SPSR reflects the status of how the device is configured to respond to Serial Polls.

Mnemonic	Type	Description
STB[8,6:1]	R	Status Byte —The value of STB[8,6-1] most recently written to the SPMR.
PEND	R	Pending Service Request —PEND asserts after requesting service (using AUXMR[REQT] in modes SP1 or SP2, or RSV_RQS in mode SP2). PEND clears when the GPIB Controller serial polls the device. This bit can be used to confirm the GPIB Controller serial polled the device. However, in most applications monitoring this bit is not necessary. Refer to the <i>Serial Poll Response Manager</i> section of Chapter 4, <i>Functional Description—PCI4882 and GEN4882 Modes</i> , for the definitions of SP1 and SP2.

Status 1 Register (STS1)

Offset 0x10 in 4882 Register Set

Reset Value: 0x00

Read Only

DONE	0	IN	DRQ	STOP	DAV	HALT	GSYNC
7	6	5	4	3	2	1	0

STS1 reflects various internal signals in the device.

Mnemonic	Type	Description
DONE	R	<p>DONE—At the end of a transfer, DONE indicates that all devices on the GPIB have finished the transfer. DONE only sets after STOP sets. This bit is identical to ISR3[DONE].</p> $\text{DONE} = (\text{GSYNC} \& \sim\text{CFG}[\text{IN}]) + (\text{GFIFO empty} \& \text{CFG}[\text{IN}])$
IN	R	<p>GPIB Transfer Direction—IN reflects the GPIB Transfer direction as set by CFG[IN]. IN set indicates the TNT5002 is configured to accept GPIB data bytes. IN cleared indicates the TNT5002 is configured to send GPIB data bytes or command bytes.</p>
DRQ	R	<p>Internal DMA Request—The TNT5002 asserts this internal signal to indicate to the DMA controller that data may be transferred between the GFIFO and the DFIFO. DRQ also reflects the state of the DRQ pin in GEN4882 mode.</p>
STOP	R	<p>GPIB Transfer Stopped—STOP is set by any of the following conditions:</p> <ul style="list-style-type: none"> The last byte (as indicated by the CNT registers) of a command or data transfer is written to the GPIB The last byte (as indicated by the CNT registers) of a read transfer is read into the GFIFO The CMDR[STOP] command is issued The CMDR[SOFT_RESET] command is issued or a hardware reset asserts. <p>STOP is cleared by CMDR[GO].</p>
DAV	R	<p>DAV—This bit indicates the status of the GPIB DAV# Handshake line. If DAV is set, the GPIB DAV# signal is asserted.</p>

Mnemonic	Type	Description
HALT	R	<p>GPIB Transfer Halted—HALT indicates the status of the GPIB transfer state machine. HALT is set if STOP is set. When IMR3[TLCHLTE] is set, HALT also sets when ISR3[TLCINT] asserts. If MISC[NOAS] or MISC[NOTS] are set, certain IMR0, IMR1, and IMR2 interrupts do not cause HALT.</p>
GSYNC	R	<p>GPIB Synchronized—GSYNC indicates that the GPIB has synchronized. That is, the last byte transferred was accepted by all GPIB Listeners.</p> <p>GSYNC is set by when the following expression becomes true:</p> <p style="padding-left: 40px;">HALT & CFGR[IN] & (AIDS + ANRS) + HALT & ~CFGR[IN] & (SIDS + SGNS)</p> <p>GSYNC is also set by a hardware or software reset.</p> <p>CMDR[GO] clears GSYNC.</p>

Status Register 2 (STS2)

Offset 0x9A in 4882 Register Set

Reset Value: 0x90

Read Only

1	16/8N	0	1	AFFN	AEFN	BFFN	BEFN
7	6	5	4	3	2	1	0

STS2 reflects various internal signals in the device.

Mnemonic	Type	Description
16/8N	R	16-bit or 8-bit FIFO mode —This bit reflects the status of the 16/8N bit in CFG[16/8N].
UGNF	R	Upper GFIFO Not Full —UGNF is set when at least one byte may be written to GFIFO[15:8].
UGNE	R	Upper GFIFO Not Empty —UGNE is set when at least one byte may be read from GFIFO[15:8].
LGNF	R	Lower GFIFO Not Full —LGNF is set when at least one byte may be written to GFIFO[7:0].
LGNE	R	Lower GFIFO Not Empty —LGNE is set when at least one byte may be read from GFIFO[7:0].

Serial Number Register

Serial Number (SNUM)

Offsets 0x2000 – 0x3FFF from PBAR0

Reset Value: 0x00000000

Read

SNUM[31:24]							
31	30	29	28	27	26	25	24
SNUM[23:16]							
23	22	21	20	19	18	17	16
SNUM[15:8]							
15	14	13	12	11	10	9	8
SNUM[7:0]							
7	6	5	4	3	2	1	0

Mnemonic	Type	Description
SNUM	R	Serial Number —When the USE_ROM pin is asserted, this register is automatically loaded with the serial number read from the serial ROM. If USE_ROM is unasserted, this register retains its reset value. This register is aliased across a large address space for backwards-compatibility reasons.

Functional Description—PCI4882 and GEN4882 Modes

Overview

This chapter groups register bit descriptions by functional blocks instead of by register location. That is, all of the bits relevant to a single module of the TNT5002 are described together—even if the bits appear in several different registers.

For example, one of the circuits in the TNT5002 is the Remote Local Block. Two of the bits in the IMR2 register enable interrupts related to this circuit. In the *Remote Local Block* section, the following table appears:

IMR2 (Write Only)

0	0	0	0	CO IE	LOKC IE	REMC IE	ADSC IE
7	6	5	4	3	2	1	0

The table indicates that bits 1 and 2 of IMR2 are relevant to the Remote Local block. The behavior of these two bits is described immediately following the figure. The other bits in the register are not relevant to the Remote Local block and are shaded. However, when software writes to IMR2, it must write all of the bits of IMR2 at the same time. When a 0 or 1 appears in the table, that value must be written to that bit location.

The arrangement of register bits has been chosen for historical backwards-compatibility. All of the bits that pertain to a certain piece of circuitry often do not appear in a single register. Most registers contain bits that pertain to different pieces of circuitry.

GPIB Reset Manager

Overview

The GPIB Reset Manager controls the resetting and initialization of the GPIB circuitry in the TNT5002. Resets which affect the entire chip are discussed in Chapter 8, [Reset Considerations](#).

Hardware Resets

Asserting the reset pin of the TNT5002 causes the TNT5002 to:

- Enter 4882 mode.
- Perform the same actions as writing CMDR[SOFT_RESET].
- Perform the same actions as writing AUXMR[CH_RST].

The reset pin in PCI4882 mode is PCI_RST#. The reset pin in GEN4882 mode is RESET#. Note that asserting PCI_RST# also resets the PCI interface.

Register Bit Description

CMDR

Offset 0x10 in 4882 Register Set

Reset Value: 0x00

Write Only

CMDR_CMD							
7	6	5	4	3	2	1	0

CMDR Command	Value	Description
SOFT_RESET	0x22	<p>Software Reset—The SOFT_RESET command resets the GPIB Transfer manager. Specifically, SOFT_RESET:</p> <ul style="list-style-type: none"> • Clears all bits in CFG, HSSEL, and IMR3 • Sets DONE and STOP • Resets the GFIFO • Configures the CNT registers for 16-bit operation <p>Refer to Chapter 8, <i>Reset Considerations</i>, for more information on resets.</p>
HARD_RESET	0x40	<p>Hardware Reset—Issuing HARD_RESET has the same effect as asserting a hardware reset (PCI_RST# or RESET#). Refer to Chapter 8, <i>Reset Considerations</i>, for more information on resets.</p>

AUXMR

Offset 0x0A in 4882 Register Set

Reset Value: 0x00

Write Only

AUXMR_CMD
7 0

AUXMR Command	Value	Description
CH_RST	0x02	<p>Chip Reset—CH_RST asserts the local pon message. The pon message logically disconnects the TNT5002 from the GPIB. In addition, CH_RST:</p> <ul style="list-style-type: none"> • Clears all bits in SPMR, AUXRA, AUXRB, AUXRE, AUXRF, AUXRG, AUXRI, AUXRJ, AUXRK, BCR, MISC, HIER, EOSR and PT1. • Clears the ist parallel poll flag • Sets PPR[PPMODE1] <p>Refer to Chapter 8, <i>Reset Considerations</i>, for more information about resetting the TNT5002.</p>
PON	0x00	<p>Pulse Pon—The PON command sets the local pon message for 1 clock cycle, then clears pon.</p>

Operation

Initializing the TNT5002 consists of four steps:

1. Reset the GPIB Transfer Manager
2. Assert the local power-on message
3. Configure for GPIB operation
4. Clear the local power-on message.

Reset the GPIB Transfer Manager

Write CMDR[SOFT_RESET]. This configures the TNT5002 for 4882-mode.

Assert the Local Power-on Message

Write AUXMR[CH_RST]. This command asserts the local pon message. When pon is true, the TNT5002 is logically disconnected from the GPIB. The local pon message remains true until explicitly cleared.

Configure the TNT5002 for GPIB Operation

The managers must be configured while pon is asserted:

1. Set the GPIB address in the Talker/Listener Manager
2. Configure the Serial Poll Response Manager
3. Configure the Parallel Poll Response Manager
4. Configure the Device Clear and Device Trigger Manager
5. Set the desired T1 delay

Clear the Local Power-on Message

Write AUXMR[PON] to clear pon. Once pon is clear, the TNT5002 is logically connected to the GPIB.

Talker/Listener Manager

Overview

The Talker/Listener Manager monitors GPIB commands to determine the addressing state of the TNT5002.

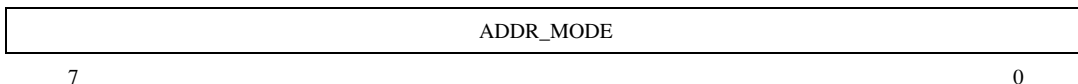
Register Bit Definitions

ADMR

Offset 0x08 in 4882 Register Set

Reset Value: 0x00

Write Only



Mnemonic	Type	Description						
ADDR_MODE	W	<p>Address Mode—The ADMR selects the addressing mode of the device. The following table lists all address modes.</p> <table style="width: 100%; border-collapse: collapse;"> <thead> <tr> <th style="text-align: left; border-bottom: 1px solid black;">Addressing Mode</th> <th style="text-align: left; border-bottom: 1px solid black;">ADMR</th> <th style="text-align: left; border-bottom: 1px solid black;">Number of GPIB Devices</th> </tr> </thead> <tbody> <tr> <td>Normal Addressing</td> <td>0x31</td> <td>1</td> </tr> </tbody> </table>	Addressing Mode	ADMR	Number of GPIB Devices	Normal Addressing	0x31	1
Addressing Mode	ADMR	Number of GPIB Devices						
Normal Addressing	0x31	1						

ADRO

Offset 0x0C in 4882 Register Set

Reset Value: 0x00

Write Only

0	DT0	DL0	PRIM_ADDR[4:0]
7	6	5	4
			0

Mnemonic	Type	Description				
DT0	W	Disable Primary Talker —If DT0 is set, the primary Talker is not enabled and PRIM_ADDR is not compared to GPIB Talk commands. If DT0 is cleared, the primary Talker responds to GPIB Talk commands matching PRIM_ADDR.				
DL0	W	Disable Primary Listener —If DL0 is set, the primary Listener is not enabled and PRIM_ADDR is not compared to GPIB Listen commands. If DL0 is cleared, the primary Listener responds to GPIB Listen commands matching PRIM_ADDR.				
PRIM_ADDR[4:0]	W	<p>Primary Address—The meaning of PRIM_ADDR depends on the Addressing Mode as selected by ADMR.</p> <table style="margin-left: auto; margin-right: auto;"> <tr> <td style="text-align: center;"><u>Addressing Mode</u></td> <td style="text-align: center;"><u>PRIM_ADDR</u></td> </tr> <tr> <td style="text-align: center;">Normal Addressing</td> <td style="text-align: center;">.....Primary Address</td> </tr> </table>	<u>Addressing Mode</u>	<u>PRIM_ADDR</u>	Normal AddressingPrimary Address
<u>Addressing Mode</u>	<u>PRIM_ADDR</u>					
Normal AddressingPrimary Address					

ADSR

Offset 0x08 in 4882 Register Set

Reset Value: 0x00

Read Only

0	ATNN	SPMS	LPAS	TPAS	LA	TA	MINOR
7	6	5	4	3	2	1	0

Mnemonic	Type	Description
SPMS	R	<p>Serial Poll Mode State—SPMS indicates whether the Talker state machine is in SPMS. When SPMS is set and TA is set, the Talker can send a serial poll response byte.</p> <p>SPMS is set by: SPE & ACDS</p> <p>SPMS is cleared by: (SPD & ACDS) + pon + IFC</p>
LA	R	<p>Listen Addressed—When LA is set, the Listener state machine is in LACS or LADS.</p>
TA	R	<p>Talk Addressed—When TA is set, the Talker state machine is in TADS, TACS, or SPAS.</p>

IMR2

Offset 0x04 in 4882 Register Set

Reset Value: 0x00

Write Only

0	0	0	0	0	LOKC IE	REMC IE	ADSC IE
7	6	5	4	3	2	1	0

ISR2

Offset 0x04 in 4882 Register Set

Reset Value: 0x00

Read Only

INT	R	LOK	REM	R	LOKC	REMC	ADSC
7	6	5	4	3	2	1	0

Mnemonic	Type	Description
ADSC ADSC IE	R W	<p>Address Status Change—ADSC indicates that the addressing state has changed. ADSC sets after:</p> <ul style="list-style-type: none"> • Being addressed or unaddressed to talk • Being addressed or unaddressed to listen <p>ADSC is set by: $\sim(\text{lon} + \text{ton}) \& (\text{any change in ADSR}[\text{TA}, \text{LA}, \text{or MINOR}])$</p> <p>ADSC is cleared by: $\text{pon} + (\text{read ISR2}) \& \sim\text{AUXRI}[\text{SISB}]$ $+ \text{AUXMR}[\text{CLR_ADSC}] + \text{ADMR}[\text{LON}]$ $+ \text{ADMR}[\text{TON}]$</p>

AUXMR

Offset 0x0A in 4882 Register Set

Reset Value: 0x00

Write Only

AUXMR_CMD	
7	0

AUXMR Command	Value	Description
CLR_ADSC	0x5B	Clear ISR2[ADSC]—When AUXRI[SISB] is set, CLR_ADSC is used to clear ISR2[ADSC].

Operation

Setting the GPIB Address

A GPIB device may use single addressing or extended addressing. A single address is an integer between 0 and 30 inclusive. An extended address consists of a primary address between 0 and 30 and a secondary address between 0 and 30.

To configure the TNT5002 to use single addressing:

- Write 0x31 to the ADMR
- Write the address to ADR0

Determining the Addressing State

To determine the GPIB addressing state of the TNT5002, read the ADSR. The following table decodes the value read from ADSR.

ADSR Bits			Addressing State
SPMS	LA	TA	
0	0	1	Talker—Can send data bytes
0	1	0	Listener—Can receive data bytes
1	0	1	Serial Poll state—Can send a serial poll response

ISR2[ADSC] asserts when ADMR[TA,LA] changes. Interrupt on ISR2[ADSC] to be notified when the addressing state changes.

GPIB Transfer Manager

Overview

The GPIB Transfer Manager transfers data between the GFIFO and the GPIB. The transfer manager is used to send command and data bytes to devices or receive data bytes from devices.

Programming the transfer manager is very similar between sending commands and transferring data. This chapter divides a GPIB transfer into three phases: Initialization, Data transfer, and Termination

The next several sections describe the register bits used by each phase separately.

Initialization Phase—Register Bit Definitions

Programmable T1 Register

Offset 0x11 in 4882 Register Set

Reset Value: 0x00

Write Only

0	0	PT1_ENA	PT1[4:0]
7	6	5	4

Mnemonic	Type	Description
PT1_ENA	W	<p>Programmable T1 Enable—When PT1_ENA is set, the Source state machine uses PT1[4:0] to determine the length of the T1 delay for sending the second and subsequent data bytes.</p> <p>When the TNT5002 sends command bytes or data bytes to GPIB devices using the traditional 3-wire handshake, the Source state machine first drives the data byte or command byte value on the DIO[8:1] pins. After waiting for a certain delay (known as the T1 delay), DAV# is asserted to indicate that the DIO[8:1] signals are valid. <i>IEEE 488.1</i> has certain requirements for the duration of the T1 delay. The programmable T1 delay does not affect GPIB read operations or sending command bytes.</p>
PT1[4:0]	W	<p>Programmable T1 Delay—When PT1_ENA is set, the T1 delay for command bytes and the first data byte of a string is 44 clock periods. For other data bytes, the T1 delay is:</p> <p>$(2 + PT1[4:0])$ clock periods.</p> <p>For example, if the clock period is 25 ns and PT1[4:0] is 10010. The T1 delay is:</p> <p>$(2 + 18) * 25 \text{ ns} = 20 * 25 \text{ ns} = 500\text{ns}$.</p> <p>For applications not using HS488, PT1[4:0] should be configured for 500 ns if PT1_ENA is set.</p>

IMRO

Offset 0x1D in 4882 Register Set

Reset Value: 0x80

Write Only

GLINT	STBO IE	NLEN	BTO	IFCI IE	ATNI IE	TO IE	SYNC IE
7	6	5	4	3			0

ISRO

Offset 0x1D in 4882 Register Set

Reset Value: 0x00

Read Only

NBA	STBO	NL	EOS	IFCI	ATNI	TO	SYNC
7	6	5	4				0

Mnemonic	Type	Description
NLEN NL	W R	<p>Newline Enable—When NLEN is set, the TNT5002 treats the 7-bit ASCII newline character (0xA) as an EOS character. When the TNT5002 accepts a newline data byte, the TNT5002 behaves as if the EOI# signal was also asserted. Normally, the EOS character is written to EOSR. NLEN allows the TNT5002 to recognize two different EOS characters: newline and the character in EOSR.</p> <p>Newline Received—NL indicates whether the last data byte received by the TNT5002 was a newline character. NL sets and clears regardless of the value of NLEN.</p>

IMR1

Offset 0x02 in 4882 Register Set

Reset Value: 0x00

Write Only

CPT IE	APT IE	DET IE	END IE	DEC IE	ERR IE	DO IE	DI IE
7	6	5	4	3	2	1	0

ISR1

Offset 0x02 in 4882 Register Set

Reset Value: 0x00

Read Only

CPT	APT	DET	END RX	DEC	ERR	DO	DI
7	6	5	4	3	2	1	0

Mnemonic	Type	Description
DO DO IE	R W	<p>Data Out Interrupt—DO sets whenever the Talker state machine is in TACS and the TNT5002 has no data to send. DO can be used instead of ISR2[ADSC] to determine when to begin a routine that sends data bytes.</p> <p>DO is set by: TACS & SGNS & ~nba</p> <p>DO is cleared by: pon + ((read ISR1) & ~AUXRI[SISB]) + ~TACS + ~SGNS + nba</p> <p>DO Interrupt Enable—DO IE enables an interrupt when the DO condition is true.</p>

IMR1

Offset 0x02 in 4882 Register Set

Reset Value: 0x00

Write Only

CPT IE	APT IE	DET IE	END IE	DEC IE	ERR IE	DO IE	DI IE
7	6	5	4	3	2	1	0

ISR1

Offset 0x02 in 4882 Register Set

Reset Value: 0x00

Read Only

CPT	APT	DET	END	DEC	ERR	DO	DI
7	6	5	4	3	2	1	0

Mnemonic	Type	Description
END END IE	R W	<p>END Received—END sets after receiving a byte from the GPIB satisfying the END condition. A byte satisfies the END condition if the Talker asserts EOI# when it sends the byte or AUXRA[REOS] is set and the byte matches the contents of the EOSR.</p> <p>END is set by: $LADS \& (EOI + (EOS \& AUXRA[REOS]) + (NL \& IMR0[NLEN]))$</p> <p>END is cleared by: $pon + (read\ ISR1) \& \sim AUXRI[SISB] + AUXMR[CLR_END]$</p>
ERR ERR IE	R W	<p>Error—ERR sets when the Source tries to send a data or command byte but detects no Listeners on the GPIB. ERR is cleared by writing to AUXMR[CLR_ERR].</p> <p>ERR is set by: $SDYS \& T1 \& \sim SHAS \& RFD \& EXTDAC$</p> <p>ERR is cleared by: $pon + ((read\ ISR1) \& \sim AUXRI[SISB]) + AUXMR[CLR_ERR]$</p>

EOSR

Offset 0x0E in 4882 Register Set

Reset Value: 0x00

Write Only

EOSR[7:0]
7 0

Mnemonic	Type	Description
EOSR[7:0]	W	<p>End Of String Character—The EOSR stores the byte used to detect the END condition. The EOSR is compared to each data byte received when AUXRA[REOS] is set. If EOS matches the data byte received, the END condition is true. AUXRA[BIN] determines whether 7 or 8 bits are compared.</p> <p>When AUXRA[XEOS] is set, each data byte sent is compared to the EOSR. If the data byte being sent matches EOS, EOI# is asserted with that data byte.</p> <p>If a listener is configured to detect an EOS character sent by a Talker during an HS488 transfer, the Talker must write that byte to the EOSR and set HIER[PMT_W_EOS].</p>

AUXRA

Offset 0x0A in 4882 Register Set

Reset Value: 0x00

Write Only

1	0	0	BIN	XEOS	REOS	HOLDOFFMODE[1:0]
7	6	5	4	3	2	1 0

Mnemonic	Type	Description
BIN	W	Binary EOS —BIN selects whether the EOSR represents an 8-bit binary number or a 7-bit ASCII character. When BIN is set, the EOSR is treated as an 8-bit value. All 8 bits of a data byte must match EOSR to generate the END condition. When BIN is cleared, the EOSR is treated as a 7-bit value. Only the lower 7 bits of a data byte must match the EOSR to generate the END condition.
REOS	W	Enable EOS when Receiving —When REOS is set, each byte received is compared to the EOSR to detect the END condition. When REOS is cleared, data bytes received are not compared to the EOSR to detect the END condition.
HOLDOFFMODE[1:0]	W	<p>Acceptor Holdoff Mode—When receiving data bytes, HOLDOFFMODE affects how the local rdy message is generated.</p> <p>HOLDOFFMODE[1:0] Holdoff Mode</p> <hr style="width: 50%; margin-left: 0;"/> <p>00 Normal mode 01 RFD Holdoff on All Data mode 10 RFD Holdoff on END 11 Continuous</p>

CFG

Offset 0x10 in 4882 Register Set

Reset Value: 0x00

Write Only

0	TLCHLTE	IN	A/BN	CCEN	0	0	16/8N
7	6	5	4	3	2	1	0

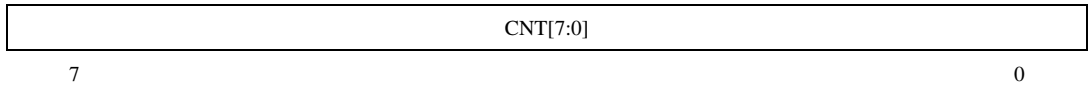
Mnemonic	Type	Description
IN	W	Direction —In indicates the direction of the GPIB transfer. For sending commands or data, IN should be cleared. IN should be set for receiving data. Command bytes may be received regardless of the state of IN.
CCEN	W	Send EOI# With Last Byte —When CCEN is set and the GPIB transfer manager is sending GPIB data, EOI# is asserted with the last byte of the transfer. This bit should always be set unless it breaks apart a string into multiple transfers.
16/8N	W	16-bit Wide FIFO —When 16/8N is set, the GFIFO is 16-bits wide and may be accessed using byte or word accesses. When 16/8N is cleared, only the low-order byte of each position in the GFIFO is used. 16/8N should always be set unless the host is not capable of supporting 16 bit transfers to the TNT5002.

CNT0

Offset 0x14 in 4882 Register Set

Reset Value: 0xFF

Read/Write

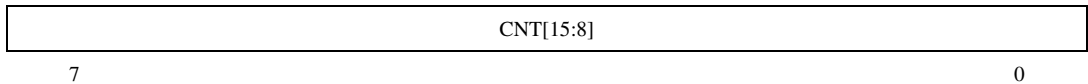


CNT1

Offset 0x16 in 4882 Register Set

Reset Value: 0xFF

Read/Write

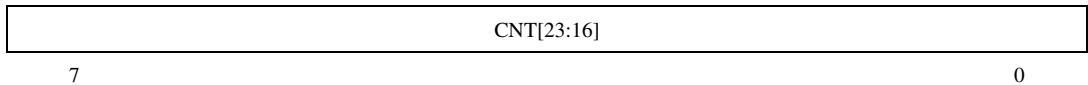


CNT2

Offset 0x09 in 4882 Register Set

Reset Value: 0xFF

Read/Write

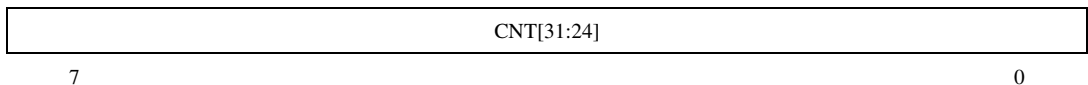


CNT3

Offset 0x0B in 4882 Register Set

Reset Value: 0xFF

Read/Write



Mnemonic	Type	Description
CNT[31:0]	R/W	<p>Transfer Count—CNT[31:0] specifies the number of bytes in transfer. The two's complements of the desired byte count should be written to the CNT registers. The registers must be written in the following order: CNT0, CNT1, CNT2, CNT3.</p> <p>The CNT registers can be used in 16-bit or 32-bit mode. In 16-bit mode, CNT[31:16] are not used. The byte count is specified by writing the 16-bit two's complement of the desired byte count to CNT[15:0]. In 16-bit mode, never write to CNT[31:16].</p> <p>Whenever CNT3 or CNT2 are written to, the TNT5002 changes to 32-bit mode. In this mode, the byte count is specified by writing the 32-bit two's complement of the desired byte count to CNT[31:0].</p> <p>CNT is incremented every time a byte is transferred between the FIFOs and the GPIB.</p> <p>CNT can be read at any time to determine the two's complement of the remaining bytes to transfer; however, CNT should only be read while the GPIB Transfer Manager is stopped or during a holdoff. This ensures that the CNT will not change while being read.</p>

AUXMR

Offset 0x0A in 4882 Register Set

Reset Value: 0x00

Write Only

AUXMR_CMD

7

0

AUXMR Command	Value	Description
RHDF	0x03	<p>Release Holdoff—RHDF clears the RFD holdoff state. The Acceptor enters the RFD holdoff state following the HLDI command or as configured to do so by AUXRA[HOLDOFFMODE].</p>

CMDR

Offset 0x10 in 4882 Register Set

Reset Value: 0x00

Write Only

CMDR_CMD	
7	0

CMDR Command	Value	Description
GO	0x04	Go —The GO command starts the GPIB Transfer manager. GO clears the internal HALT signal. When HALT is set, the local nba and rdy messages become false. HALT must be cleared to transfer data bytes.
RESET_FIFO	0x10	Reset FIFO —The RESET_FIFO command resets the FIFOs to the empty state.

Initialization Phase—Operation

The proper initialization steps depend on the transfer mode.

Sending Commands

1. Write 0x81 to the CFG to set the transfer mode to send commands and the GFIFO width as 16 bits.
2. Write the CNT registers with the two's complement of the number of commands to send.
3. If desired, set IMR1[ERR IE] to detect the ERR condition.
4. Write CMDR[RESET_FIFO] to reset the FIFOs
5. Write CMDR[GO] to start the transfer.

Sending Data

1. Write 0x09 to the CFG to set the transfer mode to send data bytes. This write also sets CCEN and the GFIFO width as 16 bits.
2. Write the CNT registers with the two's complement of the number of bytes to receive.
3. Write CMDR[RESET_FIFO] to reset the GFIFO
4. Write CMDR[GO] to start the transfer.
5. Set desired interrupt masks in IMR0, IMR1, IMR2, and IMR3.

Receiving Data

1. Write 0x21 to the CFG to set the transfer mode to receive data bytes and set the GFIFO width to 16 bits.
2. Write the CNT registers with the two's complement of the number of bytes to send.
3. If used, write the EOS character to the EOSR.
4. Write 10 to AUXRA[HOLDOFFMODE]. At the same time, set or clear AUXRA[REOS] and AUXRA[BIN] as needed.
5. Write AUXMR[RHDF] to clear RFD holdoffs.
6. Write CMDR[RESET_FIFO] to reset the FIFOs
7. Write CMDR[GO] to start the transfer.
8. Set desired interrupt masks in IMR0, IMR1, IMR2, and IMR3.

Data Transfer Phase—Register Bit Definitions

IMR3

Offset 0x2 in 4882 Register Set

Reset Value: 0x00

Read/Write

0	GFIFO_RDY IE	0	STOP IE	NFF IE	NEF IE	TLCINT IE	DONE IE
7	6	5	4	3	2	1	0

ISR3

Offset 0x1A in 4882 Register Set

Reset Value: 0x00

Read Only

INT	GFIFO_RDY	R	STOP	NFF	NEF	TLCINT	DONE
7	6	5	4	3	2	1	0

Mnemonic	Type	Description
GFIFO_RDY GFIFO_RDY IE	R R/W	<p>GFIFO Ready—GFIFO_RDY indicates that the GFIFO are ready for several transfers. During GPIB reads, GFIFO_RDY indicates that the FIFO is at least 75% full and the transfer is not halted. During GPIB writes and sending commands, GFIFO_RDY indicates that the FIFO is at least 75% empty and the transfer is not halted</p> $\text{GFIFO_RDY} = \sim\text{HALT} \& ((\text{FIFOs } 75\% \text{ Empty} \& \sim\text{CFGR}[\text{IN}]) + (\text{FIFOs } 75\% \text{ Full} \& \text{CFGR}[\text{IN}]))$ <p>GFIFO_RDY Interrupt Enable—GFIFO_RDY IE enables an interrupt when the GFIFO_RDY condition is true. Reading GFIFO_RDY IE returns the value of the interrupt enable bit, not the GFIFO_RDY condition.</p>
STOP STOP IE	R R/W	<p>GPIB Transfer Manager Stopped—STOP indicates that the transfer manager has stopped transferring bytes between the FIFOs and the GPIB. The transfer manager stops when either all of the bytes specified by the CNT register have been transferred or the CMDR[STOP] is issued.</p> <p>STOP Interrupt Enable—STOP IE enables an interrupt when the STOP condition is true. Reading STOP IE returns the value of the interrupt enable bit, not the STOP condition.</p>

Mnemonic	Type	Description
NFF NFF IE	R R/W	<p>Not Full FIFO—NFF indicates that the GFIFO is not full. Assuming the GFIFO has been configured as 16-bits wide, NFF sets when at least one dword may be written to the GFIFO. NFF clears when there is not room for at least one dword in the GFIFO.</p> <p>NFF Interrupt Enable—NFF IE enables an interrupt when the NFF condition is true. Reading NFF IE returns the value of the interrupt enable bit, not the NFF condition.</p>
NEF NEF IE	R R/W	<p>Not Empty FIFO—NEF indicates that the GFIFO is not empty. Assuming the GFIFO has been configured as 16-bits wide, NEF sets when at least one dword may be read from the GFIFO; or, when one byte may be read from the GFIFO and STS1[HALT] is set and STS1[DONE] is not set. NEF clears when there is less than one dword in the GFIFO while STS1[HALT] is not set or when STS1[DONE] is set.</p> <p>NEF Interrupt Enable—NEF IE enables an interrupt when the NEF condition is true. Reading NEF IE returns the value of the interrupt enable bit, not the NEF condition.</p>

AUXMR

Offset 0x0A in 4882 Register Set

Reset Value: 0x00

Write Only

AUXMR_CMD

7

0

AUXMR Command	Value	Description
HLDI	0x51	<p>Holdoff Immediately—HLDI prevents the Acceptor state machine from transitioning from ANRS to ACRS. NRFD# remains asserted in ANRS causing an RFD holdoff.</p>

GFIFO[15:8]

Offset 0x19 in 4882 Register Set

Reset Value: 0x00

Read/Write

GFIFO[15:8]	
7	0

GFIFO[7:0]

Offset 0x18 in 4882 Register Set

Reset Value: 0x00

Read/Write

GFIFO[7:0]	
7	0

Mnemonic	Type	Description
GFIFO[15:8] GFIFO[7:0]	R/W R/W	GPIB FIFO —The GPIB FIFO buffers data to and from the GPIB during GPIB transfers. Internally, the GFIFO is 16 positions deep and either 1 or 2 bytes wide, as configured by CFG[16/8N]. When reading and writing data from and to the GFIFO, the GPIB Transfer Manager alternates writing or reading bytes to the upper and lower bytes of the GFIFO. The GPIB Transfer manager writes (or reads) the first byte to GFIFO[7:0] when CFG[A/BN] is cleared and to GFIFO[15:8] when CFG[A/BN] is set.

Data Transfer Phase—Operation

During the data transfer phase, the CPU or a DMA Controller transfers data between the GFIFO and system memory. When sending commands or data, the CPU or DMA Controller moves data from system memory to the GFIFO. When receiving GPIB data, the CPU or DMA Controller moves data from the GFIFO to system memory.

The data transfer phase begins after writing CMDR[GO]. The transfer phase ends when ISR3[STOP] sets. ISR3[STOP] sets when the transfer count expires. CMDR[STOP_CMD] may also be issued to stop the transfer in response to other reasons (such as DCAS).

CPU Controlled Transfers—Sending GPIB Data

When the CPU transfers data to the GFIFO, the CPU should first read ISR3. If ISR3[DONE] is set, proceed to the Termination phase.

If ISR3[NEF] is cleared, the GFIFO is empty. The CPU can write up to 16 words to the GFIFO.

If ISR3[GFIFO_RDY] is set, the CPU can write up to 12 words to the GFIFO.

If ISR3[NFF] is set, the CPU can write one word into the GFIFO.

The CPU can poll on ISR3 bits or interrupt on them.

Odd Byte Transfers

If the transfer count is odd, the CPU can pad the last byte and write a full word to the FIFOs. Once the transfer count expires, the TNT5002 does not send more bytes. Extra bytes in the FIFOs are ignored.

CPU Controlled Transfers—Receiving GPIB Data

When the CPU transfers data from the GFIFO, the CPU should first read ISR3.

If ISR3[NFF] is clear, the GFIFO is full. The CPU can read up to 16 words from the GFIFO.

If ISR3[GFIFO_RDY] is set, the CPU can read up to 12 words from the GFIFO.

If ISR3[NEF] is set, the CPU can read 1 word from the FIFOs.

If ISR3[NEF] is clear, the GFIFO is empty. The CPU should examine the value of ISR3[STOP] that was read at the same time as ISR3[NEF]. If ISR3[STOP] is set, the transfer has finished. The CPU can proceed to the Termination phase of the transfer. If ISR3[STOP] is cleared, the transfer is not finished, the CPU can continue polling the FIFO status bits.

The CPU can poll on ISR3 bits or interrupt on them.

ISR3[NEF] normally only sets when the GFIFO has at least one word. When the number of bytes in the transfer is odd, there is not a full word to transfer from the FIFOs at the end of the transfer. So, when ISR3[STOP] is set, ISR3[NEF] sets when the FIFO has exactly one byte (the last byte of the transfer).

If the transfer is terminated with EOS or EOI, the transfer must be stopped by writing CMDR[STOP]. Any remaining bytes in the GFIFO must be manually read.

DMA Controlled Transfers—Sending GPIB Data

When using the DMA Controller, the DMA transfer should be continued until ISR3[DONE] is set. When ISR3[DONE] sets, proceed to the termination phase.

DMA Controlled Transfers—Receiving GPIB Data

When using the DMA Controller to receive data, the DMA transfer should be continued until ISR3[STOP] is set. When ISR3[STOP] sets, the TNT5002 keeps asserting the DRQ signal until the GFIFO is empty. To ensure that all data is read from the GFIFO, after ISR3[STOP] sets, either wait for ISR3[NEF] to clear indicating that the GFIFO is empty or halt the DMA Controller and manually read the remaining bytes out of the GFIFO.

Termination Phase—Register Bit Definitions

CMDR

Offset 0x1C in 4882 Register Set

Reset Value: 0x00

Write Only

CMDR_CMD	
7	0

CMDR Command	Value	Description
STOP	0x08	Stop —The STOP command stops the GPIB Transfer manager. STOP sets the internal HALT signal. When HALT is set, the local nba and rdy messages become false. HALT must be cleared to transfer data bytes.

AUXMR

Offset 0x0A in 4882 Register Set

Reset Value: 0x00

Write Only

AUXMR_CMD	
7	0

AUXMR Command	Value	Description
CLR_END	0x55	Clear ISR1[END] —When AUXRI[SISB] is set, CLR_END is used to clear ISR1[END].
CLR_ERR	0x57	Clear ISR1[ERR] —When AUXRI[SISB] is set, CLR_ERR is used to clear ISR1[ERR].

HSEL

Offset 0x0D in 4882 Register Set

Reset Value: 0x00

Write Only

0	MIKEJ	GOTOSIDS	NODMA	0	0	0	0
7	6	5	4	3	2	1	0

Mnemonic	Type	Description
GOTOSIDS	W	Go To SIDS —Setting GOTOSIDS forces the Source Handshake interface function to enter its idle state. This bit can be used in a routine that aborts GPIB write transfers (data bytes or command bytes).

IMR3

Offset 0x12 in 4882 Register Set

Reset Value: 0x00

Read/Write

0	GFIFO_RDY IE	0	STOP IE	NFF IE	NEF IE	TLCINT IE	DONE IE
7	6	5	4	3	2	1	0

ISR3

Offset 0x1A in 4882 Register Set

Reset Value: 0x00

Read Only

INT	GFIFO_RDY	R	STOP	NFF	NEF	TLCINT	DONE
7	6	5	4	3	2	1	0

Mnemonic	Type	Description
DONE DONE IE	R R/W	<p>DONE—At the end of a transfer, DONE indicates that all devices on the GPIB have finished the transfer. DONE only sets after STOP sets.</p> <p>DONE = STS1[GSYNC] & (~CFG[IN] + (FIFOS EMPTY & CFG[IN]))</p> <p>Done Interrupt Enable—DONE IE enables an interrupt when the DONE condition is true. Reading DONE IE returns the value of the interrupt enable bit, not the DONE condition.</p>

Termination Phase—Operation

The termination phase begins when ISR3[STOP] sets following a read or when IRS3[DONE] sets following a write. For GPIB reads, ensure that the FIFOs are empty before entering the Termination Phase.

1. Halt the DMA Controller, if it is being used.
2. If the TNT5002 is the GPIB Controller (active or standby), wait for ISR3[DONE] to set. ISR3[DONE] indicates that all devices on the GPIB have completed the transfer. If the TNT5002 is not the GPIB Controller, there is no need to wait for ISR3[DONE].
3. Read the CNT registers. The two's complement of the CNT registers indicate how many bytes did not get transferred. For example, if the original byte count was 100 and the CNT registers read 20 (after converting the two's complement) at the end of the transfer, then $100 - 20 = 80$ bytes actually were transferred, 20 bytes were not.
4. Handle any interrupting condition that caused CMDR[STOP] to be issued. This may include clearing ISR1[END] or ISR1[ERR] if those interrupts occur.

Using 8-bit FIFOs

The description of the GPIB Transfer Manager assumes that the FIFO is configured as 16 bits wide (CFG[16/8N] is set). If the GFIFO is configured as 8 bits wide (CFG[16/8N] is cleared), the behavior of a few bits change.

In 8-bit FIFO mode, the GFIFO is 8 bits wide and 16 bytes deep. ISR3[NEF], ISR3[NFF], and ISR3[GFIFO_RDY] refer to the state of the GFIFO assuming it is only 16 bytes deep. For example, when reading from the GPIB (with CFG[16/8N] is cleared), ISR3[NEF] indicates that one byte (not one word) is available to be read from the FIFO.

Device Clear Block

Overview

The Device Clear Block determines whether the GPIB Controller is issuing a device clear command to the device. This block implements the *IEEE 488.1* DC interface function. Refer to *IEEE 488.1* and *IEEE 488.2* for more information.

Register Bit Definitions

IMR1

Offset 0x02 in 4882 Register Set

Reset Value: 0x00

Write Only

CPT IE	APT IE	DET IE	END IE	DEC IE	ERR IE	DO IE	DI IE
7	6	5	4	3	2	1	0

ISR1

Offset 0x02 in 4882 Register Set

Reset Value: 0x00

Read Only

CPT	APT	DET	END RR	DEC	ERR	DO	DI
7	6	5	4	3	2	1	0

Mnemonic	Type	Description
DEC DEC IE	R W	<p>Device Clear State—DEC sets when the GPIB Controller sends a Device Clear command to the device (either SDC when the device is listen addressed or DCL). DEC is cleared writing AUXMR[CLR_DEC].</p> <p>DEC is set by: DCL + (SDC & LADS)</p> <p>DEC is cleared by: pon + AUXMR[CLR_DEC].</p> <p>DEC Interrupt Enable—DEC IE enables an interrupt when the DEC condition.</p>

AUXRE

Offset 0x0A in 4882 Register Set

Reset Value: 0xC0

Write Only

1	1	0	0	DHADT	DHADC	DHDT	DHDC
7	6	5	4	3	2	1	0

Mnemonic	Type	Description
DHDC	W	DAC Holdoff on Device Clear —DHDC causes a DAC holdoff when the Device Clear command is received (either SDC when the device is listen addressed or DCL).

AUXMR

Offset 0x0A in 4882 Register Set

Reset Value: 0x00

Write Only

AUXMR_CMD	
7	0

AUXMR Command	Value	Description
VALID	0x0F	Release DAC Holdoff (Valid) —Clears the DAC holdoff condition. If ISR1[APT] is set, this command causes the command to be interpreted as MSA.
CLR_DEC	0x56	Clear ISR1[DEC] —When AUXRI[SISB] is set, CLR_DEC is used to clear ISR1[DEC].

Operation

As *IEEE 488.1* requires, the Device Clear state machine enters the Device Clear Active State (DCAS) after receiving the Device Clear (DCL) command or after receiving the Selected Device Clear (SDC) command while addressed to listen.

ISR1[DCAS] sets after entering DCAS. A hardware interrupt occurs if IMR1[DCAS IE] is set. If IMR1[DCAS IE] is set, a DAC holdoff occurs whenever ISR1[DCAS] sets.

If AUXRE[DHDC] is set, a DAC holdoff occurs when DCL or SDC is received, regardless of the addressing state.

IEEE 488.2 lists the required behavior of device software in response to a device clear.

Disabling Device Clear

Almost all non-controllers should monitor Device Clear. Applications that do not use Device Clear can simply ignore the status bits in this block and never set the interrupt enable bits or AUXRE[DHDC]. The Device Clear state machine cannot be explicitly disabled. However, this block does not affect any GPIB signals when AUXRE[DHDC] is cleared.

Device Trigger Block

Overview

The Device Trigger Block detects when the device trigger command (GET) is received. This block implements the *IEEE 488.1* DT interface function. Refer to *IEEE 488.1* and *IEEE 488.2* for more information.

Register Bit Definitions

IMR1

Offset 0x02 in 4882 Register Set

Reset Value: 0x00

Write Only

CPT IE	APT IE	DET IE	END IE	DEC IE	ERR IE	DO IE	DI IE
7	6	5	4	3	2	1	0

ISR1

Offset 0x02 in 4882 Register Set

Reset Value: 0x00

Read Only

CPT	APT	DET	END	DEC	ERR	DO	DI
7	6	5	4	3	2	1	0

Mnemonic	Type	Description
DET DET IE	R W	<p>Device Trigger State—DET sets when the Device Trigger command is received (GET when the device is listen addressed). DET is cleared by writing AUXMR[CLR_DET].</p> <p>Device Trigger Interrupt Enable—DET IE enables an interrupt when the DET is set.</p>

AUXRE

Offset 0x0A in 4882 Register Set

Reset Value: 0xC0

Write Only

1	1	0	0	DHADT	DHADC	DHDT	DHDC
7	6	5	4	3	2	1	0

Mnemonic	Type	Description
DHDT	W	DAC Holdoff on Device Trigger —DHDT causes a DAC holdoff when the DT state machine enters DTAS.

AUXMR

Offset 0x0A in 4882 Register Set

Reset Value: 0x00

Write Only

AUXMR_CMD							
7							0

AUXMR Command	Value	Description
TRIG	0x04	Trigger —This command forces the TRIG pin to assert for 3 clock cycles. This command has no affect on ISR1[DET] or the DT interface function.
VALID	0x0F	Release DAC Holdoff (Valid) —This command clears the DAC holdoff condition. If ISR1[APT] is set, this command causes the GPIB command to be interpreted as MSA.
CLR_DET	0x54	Clear ISR1[DET] —When AUXRI[SISB] is set, CLR_DET is used to clear ISR1[DET].

Operation

The Device Trigger state machine enters the Device Trigger Active State (DTAS) after receiving the Group Execute Trigger (GET) command while addressed to listen.

ISR1[GET] sets after entering DTAS. ISR1[GET] can cause an interrupt if IMR1[GET IE] is set.

If AUXRE[DHDT] is set, a DAC holdoff occurs after receiving the GET while addressed to listen.

Disabling the Trigger

Applications that do not use Device Trigger can simply ignore the status bits in this block and never set the interrupt enable bits or AUXRE bits. The Device Trigger block cannot be explicitly disabled. However, this block does not affect any GPIB signals when AUXRE[DHDT] and AUXRE[DHADT] are clear.

Serial Poll Response Manager

Overview

The Serial Poll Response Block responds to the serial polls from the GPIB Controller and generates the GPIB SRQ# (service request) signal. This block implements the *IEEE 488.1* SR1 interface function and the *IEEE 488.2* set rsv interface function.

IEEE 488.2 thoroughly describes issues concerning Serial Poll responses.

Register Bit Definitions

IMRO

Offset 0x1D in 4882 Register Set

Reset Value: 0x80

Write Only

GLINT	STBO IE	NLEN	BTO	IFCI IE	ATNI IE	TO IE	SYNC IE
7	6	5	4	3	2	1	0

ISRO

Offset 0x1D in 4882 Register Set

Reset Value: 0x00

Read Only

NBA	STBO	NL	EOS	IFCI	ATNI	TO	SYNC
7	6	5	4	3	2	1	0

Mnemonic	Type	Description
STBO IE	W	Status Byte Out Interrupt Enable —Setting STBO IE enables Serial Poll Mode SP2. Setting STBO IE also generates an interrupt when a GPIB Controller serial polls the device.
STBO	R	Status Byte Out —STBO sets when the Talker enters SPAS (Serial Poll Active State) during a serial poll. STBO clears after writing to the SPMR or when SPAS becomes false.

AUXMR

Offset 0x0A in 4882 Register Set

Reset Value: 0x00

Write Only

AUXMR_CMD							
7				0			

AUXMR Command	Value	Description
REQT/REQF	0x18/0x19	Request True/Request False —REQT indirectly causes the SRQ# to assert. REQF causes the SRQ# to unassert. These commands are inputs to the <i>IEEE 488.2</i> Service Request Synchronization circuitry.

AUXRB

Offset 0x0A in 4882 Register Set

Reset Value: 0xA0

Write Only

1	0	1	ISS	0	TRI	SPEOI	CPT_ENABLE
7	6	5	4	3	2	1	0

Mnemonic	Type	Description
SPEOI	W	Send END During Serial Polls —When SPEOI is set, EOI# is asserted with all serial poll responses. Most devices should not set this bit.

SPMR

Offset 0x06 in 4882 Register Set

Reset Value: 0x00

Write Only

STB[8]	RSV_RQS	STB[6:1]	
7	6	5	0

Mnemonic	Type	Description
STB[8,6:1]	W	Status Byte —These bits make up the serial poll response to send to the GPIB Controller during a serial poll.
RSV_RQS	W	<p>Request Service—The meaning of this bit depends on the Serial Poll Mode.</p> <ul style="list-style-type: none"> Mode SP1—Always clear this bit Mode SP2—This bit is the RQS bit returned in a serial poll response Mode SP3—Setting this bit causes SRQ to assert.

SPSR

Offset 0x06 in 4882 Register Set

Reset Value: 0x00

Read Only

STB8	PEND	STB[6:1]	
7	6	5	0

Mnemonic	Type	Description
STB[8,6:1]	R	Status Byte —The value of the STB bits most recently written to SPMR.
PEND	R	<p>Pending Service Request—PEND asserts after requesting service (using AUXMR[REQT] in modes SP1 or SP2, or RSV_RQS in mode SP2). PEND clears when the GPIB Controller serial polls the device. This bit can be used to confirm the GPIB Controller serial polled the device. However, in most applications monitoring this bit is not necessary. Refer to the Serial Poll Response Manager section for the definitions of SP1 and SP2.</p>

ADSR

Offset 0x08 in 4882 Register Set

Reset Value: 0x00

Read Only

R	ATNN	SPMS	LPAS	TPAS	LA	TA	MINOR
7	6	5	4	3	2	1	0

Mnemonic	Type	Description
SPMS	R	Serial Poll Mode State —SPMS indicates whether Talker state machine is in SPMS. When SPMS is set and TA is set, the Talker can send a serial poll response byte.

Operation

The Serial Poll Response block generates the SRQ# signal and generates responses when a GPIB Controller serially polls the device. The three modes of operation are shown in the table.

Serial Poll Mode	SRQ# Generation	Software Intervention Required to Respond to Serial Polls
SP1	<i>IEEE 488.2</i> -style using reqt and reqf	No
SP2	<i>IEEE 488.2</i> -style using reqt and reqf	Yes
SP3	<i>IEEE 488.1</i> -style using rsv	No

Choosing a Serial Poll Mode

In Serial Poll Mode SP1, the SPMR must be written whenever the value of the status byte changes. When a Controller serial polls the device, the Serial Poll Response Manager responds to the serial poll immediately with the current value of SPMR. Most devices use mode SP1. This mode allows the device to respond quickly to serial polls and decreases the number of interrupts generated.

In Serial Poll Mode SP2, the Serial Poll Response Manager generates an interrupt when the Controller serial polls the device. After the interrupt, the Serial Poll Response Manager waits for the SPMR to be written. The device then sends the status byte to the Controller. SP2 mode may be more efficient if the status byte of the device changes more frequently than the GPIB Controller serial polls the device.

Serial Poll Mode SP3 is similar to mode SP1 except that SP3 uses *IEEE 488.1*-style SRQ# generation. *IEEE 488.2*-style SRQ# generation is preferred, so the use of mode SP3 is discouraged.

Using Serial Poll Mode SP1

To use this mode IMR0[STBO IE] must be cleared. To assert SRQ#, write AUXMR[REQT] and then write the current status byte to SPMR with RSV_RQS cleared.

This write to SPMR causes SRQ# to assert. SRQ# remains asserted until a Controller serial polls the device or the service request is stopped.

To stop requesting service, write AUXMR[REQF] and then write the current status byte to SPMR with RSV_RQS is cleared. The write to SPMR causes SRQ# to unassert.

To update the SPMR without affecting SRQ#, simply write the current status byte to SPMR with RSV_RQS cleared.

Using Serial Poll Mode SP2

To use this mode IMR0[STBO IE] must be set. To assert SRQ#, write AUXMR[REQT]. This write causes SRQ to assert. SRQ# remains asserted until the GPIB Controller serial polls the device or AUXMR[REQF] is issued.

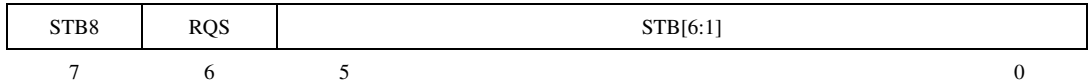
When the GPIB Controller serial polls the device, ISR0[STBO] sets. In response to this interrupt, write the current status byte to SPMR. For this write to SPMR, SPMR[RSV_RQS] should be set if the device is actively requesting service.

Using Serial Poll Mode SP3

To use this mode IMR0[STBO IE] must be cleared. To assert SRQ#, write the current status byte to the SPMR with RSV_RQS set. This causes SRQ# to assert until the GPIB Controller serial polls the device or the RSV_RQS is cleared. To unassert SRQ#, the device writes the current status byte to the SPMR with RSV_RQS cleared.

Status Byte Value

When a Controller serial polls the device, an 8-bit status byte is returned. The 8 bits of the status byte are generated as follows:



RQS indicates whether the device is actively requesting service. In modes SP1 and SP3, RQS is automatically generated. In mode SP2, the current value of SPMR[RSV_RQS] is used as RQS.

Parallel Poll Response Manager

Overview

The Parallel Response Block responds to the parallel polls from the Controller. This block implements the *IEEE 488.1* PP interface function.

Register Bit Definitions

AUXRB

Offset 0x0A in 4882 Register Set

Reset Value: 0xA0

Write Only

1	0	1	ISS	0	TRI	SPEOI	CPT_ENABLE
7	6	5	4	3	2	1	0

Mnemonic	Type	Description
ISS	W	Individual Status Select —The value of the Parallel Poll Flag is used as the local ist message when AUXRB[ISS] is cleared. The value of SRQS is used as the local ist message when AUXRB[ISS] is set.

AUXRI

Offset 0x0A in 4882 Register Set

Reset Value: 0xE0

Write Only

1	1	1	0	USTD	PPMODE2	0	SISB
7	6	5	4	3	2	1	0

Mnemonic	Type	Description
PPMODE2	W	Parallel Poll Mode 2 —This bit, together with PPR[PPMODE1], determine how the device is configured for parallel polls.

AUXMR

Offset 0x0A in 4882 Register Set

Reset Value: 0x00

Write Only

AUXMR_CMD	
7	0

AUXMR Command	Value	Description
IST/~IST	0x01/0x09	Set/Clear Parallel Poll Flag (ist) —IST and ~IST set and clear the Parallel Poll Flag (ist).

PPR

Offset 0x0A in 4882 Register Set

Reset Value: 0x70

Write Only

0	1	1	PPMODE1	SENSE	LPPE[2:0]
7	6	5	4	3	0

Mnemonic	Type	Description
PPMODE1	W	Parallel Poll Mode 1 —This bit, together with AUXRI[PPMODE2], determine how the device is configured for parallel polls. Refer to the <i>Parallel Poll Response Manager</i> section for more information.

Mnemonic	Type	Description															
SENSE	W	<p>Sense—The state of the DIO line selected by LPPE line during a parallel poll response is described in the following table:</p> <table border="1"> <thead> <tr> <th>SENSE</th> <th>ist</th> <th>DIO Line</th> </tr> </thead> <tbody> <tr> <td>0</td> <td>0</td> <td>asserted</td> </tr> <tr> <td>0</td> <td>1</td> <td>unasserted</td> </tr> <tr> <td>1</td> <td>0</td> <td>unasserted</td> </tr> <tr> <td>1</td> <td>1</td> <td>asserted</td> </tr> </tbody> </table> <p>DIO lines are driven with open-collector drivers during parallel polls. DIO lines that are not asserted (driven low) are not actively driven high. This allows different devices to simultaneously drive different DIO signals.</p>	SENSE	ist	DIO Line	0	0	asserted	0	1	unasserted	1	0	unasserted	1	1	asserted
SENSE	ist	DIO Line															
0	0	asserted															
0	1	unasserted															
1	0	unasserted															
1	1	asserted															
LPPE[2:0]	W	<p>Local Parallel Poll Configuration—In Local Parallel Poll Configuration, LPPE[2:0] configures how the Parallel Poll Response Manager responds to parallel polls. In Local Parallel Poll Configuration mode, the Parallel Poll Response Manager is configured as if it received a PPE command of 0x6n where $n = \text{LPPE}[2:0]$.</p>															

Operation

The GPIB Controller initiates a parallel poll by sending the IDY message to the device. The device responds by sending one of eight messages (PPR1, PPR2, PPR3, ..., PPR8) to the Controller. The PPR n message can be sent true or false.

The operation of the Parallel Poll Response Manager depends on the configuration mode: Disabled, Remote, or Local. Select one of these mode by writing to AUXRI[PPMODE2] and PPR[PPMODE1] according to the following table:

PPR[PPMODE1]	AUXRI[PPMODE2]	Parallel Poll Mode
0	0	Remote Configuration
0	1	Local Configuration
1	X	Disabled

Disabled Mode

Many devices do not support Parallel Polls. To disable parallel polls, set PPR[PPMODE1].

Remote Configuration Mode

In Remote Configuration mode, a GPIB Controller configures the Parallel Poll Response Manager and assigns it one of the eight PPR n messages to use. This configuration requires no user intervention.

The value of the PPR n message sent by the Controller is determined by the following table:

AUXRB[ISS]	SENSE	Value of PPR n
0	0	~ist
0	1	ist
1	0	~SRQS
1	1	SRQS

Clear and set ist by writing the AUXMR[IST] and AUXMR[~IST]. SRQS is true when the TNT5002 is asserting the GPIB SRQ# signal (refer to the *Serial Poll Response Manager* section for information). SENSE is configured by a GPIB Controller at the same time PPR n is configured.

The most straightforward way to implement parallel polls is to use Remote Configuration mode and set AUXRB[ISS]. SRQ# can then be asserted as needed. All other mechanisms of the parallel poll are handled automatically.

Local Configuration Mode

Devices are discouraged from using Local Configuration mode. It is easier and safer to configure a system of several devices if the Controller remotely configures all devices. In Local Configuration mode, PPR[SENSE] is the SENSE bit. PPR[LPPE[2:0]] determines which PPR n message to use. If PPR[LPPE[2:0]] = 000, PPR1 is used. If LPPE[2:0] = 001, PPR2 is used, and so on. The value of the PPR n message is determined by the same table as for Remote Configuration mode.

Remote Local Block

Overview

Most GPIB devices have local controls such as knobs, switches, or buttons that affect the state of the device. Devices may allow the GPIB Controller to disable local controls to ensure that remote commands behave as expected. The Remote Local Block determines whether the GPIB Controller intends to disable or enable the local controls of the device. The Remote Local Block does not directly affect any GPIB signals. This Block implements the *IEEE 488.1* RL interface function. *IEEE 488.2* (Section 5.6) has a more complete description of issues concerning Remote Local behavior.

Register Bit Definitions

IMR2

Offset 0x04 in 4882 Register Set

Reset Value: 0x00

Write Only

0	SRQ IE	0	0	0	LOK IE	REMC IE	ADSC IE
7	6	5	4	3	2	1	0

ISR2

Offset 0x04 in 4882 Register Set

Reset Value: 0x00

Read Only

INT	SRQI	LOK	REM	R	LOK	REMC	ADSC
7	6	5	4	3	2	1	0

Mnemonic	Type	Description
LOK	R	Lockout State —This bit is set when the Remote/Local state machine is in a Lockout state (RWLS or LWLS) and is cleared when in non-lockout states (REMS or LOCS).
REM	R	Remote State —This bit is cleared when the Remote/Local state machine is in a local state (LOCS or LWLS) and is set when in remote states (REMS or RWLS).

Mnemonic	Type	Description
LOKC LOKC IE	R W	<p>LOK Change—LOKC sets when value of the ISR2[LOK] changes.</p> <p>LOKC is cleared by: pon + AUXMR[CLR_LOKC] + (read ISR2) & ~AUXRI[SISB])</p> <p>LOK Change Interrupt Enable—LOKC IE enables an interrupt when LOKC is set.</p>
REMC REMC IE	R W	<p>REM Change—REMC sets when value of the ISR2[REM] changes.</p> <p>REMC is cleared by: pon + AUXMR[CLR_REMC] + (read ISR2) & ~AUXRI[SISB])</p> <p>REM Change Interrupt Enable—REMC IE enables an interrupt when REMC is set.</p>

AUXMR

Offset 0x0A in 4882 Register Set

Reset Value: 0x00

Write Only

AUXMR_CMD	
7	0

AUXMR Command	Value	Description
PULSE_RTL	0x05	Pulse Return to Local —Sets the rtl local message for one clock cycle (if rtl is not already set), then clears rtl.
RTL	0x0D	Return to Local —Sets the rtl local message.
CLR_LOKC	0x59	Clear ISR2[LOKC] —When AUXRI[SISB] is set, CLR_LOKC is used to clear ISR2[LOKC].
CLR_REMC	0x5A	Clear ISR2[REMC] —When AUXRI[SISB] is set, CLR_REMC is used to clear ISR2[REMC].

Operation

To use the Remote Local block, set IMR2[REMC IE]. When ISR2[REMC] causes an interrupt, examine ISR2[REM] to determine whether currently in a local or remote state. *IEEE 488.2* lists the requirements of a device in the local and remote states.

Most applications that use Remote Local only need to be notified when the Controller changes the device from a remote state to a local state or from a local state to a remote state. ISR2[REMC] detects both of these conditions.

Asserting the rtl local message prevents the Remote Local block from entering a Remote state (unless in a lockout state—refer to *IEEE 488.1* for more information).

Disabling Remote Local

Applications that do not use Remote Local can simply ignore the status bits in this block and never set the interrupt enable bits. The Remote Local Block cannot be explicitly disabled. However, this block does not affect any GPIB signals.

HS488 Manager

Overview

HS488 is an extension of *IEEE 488.1* that defines a non-interlocked protocol for transferring data between devices. By using the HS488 protocol, devices can transfer data at faster rates than with the traditional 3-wire interlocked protocol defined by *IEEE 488.1*.

The HS488 Manager handles the HS488 transfer protocol entirely in hardware. However, configuring HS488 requires software intervention. Once configured, use the GPIB transfer manager to transfer data in the same way for both HS488 and interlocked transfers.

The HS488 protocol uses several delays that are a function of the total length of all GPIB cables in the system. The software must detect when to enable HS488 and configure registers for the proper delays.

Register Bit Description

AUXRB

Offset 0x0A in 4882 Register Set

Reset Value: 0xA0

Write Only

1	0	1	ISS	0	TRI	SPEOI	CPT_ENABLE
7	6	5	4	3	2	1	0

Mnemonic	Type	Description
CPT_ENABLE	W	Command Pass Through Enable —CPT_ENABLE is set to allow the detection of undefined commands and to set ISR1[CPT]. Clearing CPT_ENABLE clears ISR1[CPT] and prevents detecting undefined commands.

AUXRF

Offset 0x0A in 4882 Register Set

Reset Value: 0xD0

Write Only

1	1	0	1	DHATA	DHALA	DHUNTL	DHALL
7	6	5	4	3	2	1	0

Mnemonic	Type	Description
DHATA	W	DAC Holdoff on All Talk Addresses —DHATA causes a DAC holdoff on all commands in the range 0x40 to 0x5E inclusive. DIO8 is ignored for all command bytes. When performing a DAC holdoff due to DHATA, ISR1[CPT] sets.
DHALA	W	DAC Holdoff on All Listen Addresses —DHALA causes a DAC holdoff on all commands in the range 0x20 to 0x3E inclusive. DIO8 is ignored for all command bytes. When performing a DAC holdoff due to DHALA, ISR1[CPT] sets.
DHUNTL	W	DAC Holdoff on UNT and UNL —DHUNTL causes a DAC holdoff on the UNT and UNL commands. DIO8 is ignored on all command bytes. When performing a DAC holdoff due to DHUNTL, ISR1[CPT] sets.
DHALL	W	DAC Holdoff on All UCG, ACG, and SCG Commands —DHALL causes a DAC holdoff on all commands in the ranges 0x00 to 0x1F inclusive and 0x60 to 0x7F inclusive. DIO8 is ignored on all command bytes. When performing a DAC holdoff due to DHALL, ISR1[CPT] sets.

IMR1

Offset 0x02 in 4882 Register Set

Reset Value: 0x00

Write Only

CPT IE	APT IE	DET IE	END IE	DEC IE	ERR IE	DO IE	DI IE
7	6	5	4	3	2	1	0

ISR1

Offset 0x02 in 4882 Register Set

Reset Value: 0x00

Read Only

CPT	APT	DET	END RR	DEC	ERR	DO	DI
7	6	5	4	3	2	1	0

Mnemonic	Type	Description
CPT	R	<p>Command Pass Through—CPT indicates that a command that must be processed by software was received. In the following description, a primary command is any command in the range (0x0–0x5F) and a secondary command is any command in the range (0x60–0x7F). The most significant bit (DIO8) of the command byte is always ignored.</p> <p>When AUXRB[CPT_ENABLE] is set, CPT sets when an undefined primary command is received. The following commands are always undefined: 0x10, 0x12, 0x13, 0x16, 0x17, 0x1A–0x1F. If addressed to talk or listen, the following commands are also undefined: 0x0, 0x2, 0x3, 0x6, 0x7, 0xA–0xF</p> <p>If the last primary command received was undefined, CPT also sets on any secondary command.</p> <p>When CPT sets, a DAC holdoff occurs. A DAC holdoff prevents the Controller from sending more command bytes. Write AUXMR[VALID] to clear the DAC holdoff.</p> <p>Reading the CPTR clears CPT. Clearing IMR1[CPT] clears CPT and disables the circuitry that detects undefined commands.</p> <p>CPT is set by:</p> $[\text{UCG} + (\text{ACG} \& (\text{TADS} + \text{LADS}))] \& \text{undefined} \& \text{ACDS} \& \text{AUXRB}[\text{CPT_ENABLE}]$ $+ \text{UDPCF} \& \text{SCG} \& \text{ACDS} \& \text{AUXRB}[\text{CPT_ENABLE}]$ $+ \text{AUXRE}[\text{DHADT}] \& \text{GET} \& \text{LADS}$ $+ \text{AUXRE}[\text{DHADC}] \& (\text{SDC} + \text{DCL}) \& \text{ACDS}$ $+ \text{AUXRF}[\text{DHATA}] \& \text{TAG} \& \sim\text{UNT} \& \text{ACDS}$ $+ \text{AUXRF}[\text{DHALA}] \& \text{LAG} \& \sim\text{UNL} \& \text{ACDS}$ $+ \text{AUXRF}[\text{DHUNTL}] \& (\text{UNT} + \text{UNL}) \& \text{ACDS}$ $+ \text{AUXRF}[\text{DHALL}] \& \text{ATN} \& \text{ACDS}$ <p>CPT is cleared by:</p> pon $+ ((\text{read ISR1}) \& \sim\text{AUXRI}[\text{SISB}])$ $+ ((\text{read CPTR}) \& \text{AUXRI}[\text{SISB}])$

CPTR

Offset 0x0A in 4882 Register Set

Reset Value: 0x00

Read Only

CPTR[7:0]

7

0

Mnemonic	Type	Description
CPTR[7:0]	R	Command Pass Through —The CPTR stores the last command byte received and also stores the results of parallel polls.

AUXMR

Offset 0x0A in 4882 Register Set

Reset Value: 0x00

Write Only

AUXMR_CMD

7

0

AUXMR Command	Value	Description
VALID	0x0F	Release DAC Holdoff (Valid) —VALID clears the DAC holdoff condition.

HIER

Offset 0x13 in 4882 Register Set

Reset Value: 0x00

Write Only

DG[1:0]	0	NO_TSETUP	0	0	0	PMT_W_EOS	
7	6	5	4	3	2	1	0

Mnemonic	Type	Description												
DG[1:0]	W	<p>Deglintch Selector—DAV# is deglitched when receiving command bytes or data bytes. The minimum pulse accepted is the minimum time that DAV# must remain continuously asserted to be detected by the Acceptor. The maximum pulse ignored is the maximum time that DAV# can remain continuously asserted and be ignored by the Acceptor. The following table lists how DAV# is deglitched when using a 40 MHz clock:</p> <table border="1"> <thead> <tr> <th>DG[1:0]</th> <th>Minimum Pulse Accepted (ns)</th> <th>Maximum Pulse Ignored (ns)</th> </tr> </thead> <tbody> <tr> <td>00</td> <td>25</td> <td>12</td> </tr> <tr> <td>10</td> <td>37</td> <td>25</td> </tr> <tr> <td>11</td> <td>75</td> <td>50</td> </tr> </tbody> </table>	DG[1:0]	Minimum Pulse Accepted (ns)	Maximum Pulse Ignored (ns)	00	25	12	10	37	25	11	75	50
DG[1:0]	Minimum Pulse Accepted (ns)	Maximum Pulse Ignored (ns)												
00	25	12												
10	37	25												
11	75	50												
NO_TSETUP	W	<p>No Extra DIO_SETUP Setup Delay—NO_TSETUP and the DIO_SETUP register determine the setup time from the DIO lines being valid to DAV# asserting during HS488 transfers. If NO_TSETUP is set, the DIO# setup time is 75 ns.</p>												
PMT_W_EOS	W	<p>Assert pmt With EOS—Setting this bit causes the Source to keep DAV# asserted for a longer period of time when using an EOS character during HS488 transfers. When PMT_W_EOS is set, the duration of DAV# assertions when the EOS byte is sourced is determined by NIC_DELAY rather than DAV_HOLD. The Talker must write the EOS byte to the EOSR and set PMT_W_EOS when a listener is configured to detect EOS bytes when using HS488.</p>												

DIO_SETUP

Offset 0x11 in 4882 Register Set

Reset Value: 0xC0

Write Only

1	1	0	DIO_SETUP[4:0]	
7	6	5	4	0

Mnemonic	Type	Description
DIO_SETUP[4:0]	W	<p>DIO Setup Time—DIO_SETUP determines the minimum setup time from the GPIB DIO# lines being valid to DAV# asserting during HS488 transfers. This is the amount of time required to transition from SGNS to STRS. If HIER[NO_TSETUP] is set, the DIO_SETUP delay is 3 clock periods. If HIER[NO_TSETUP] is cleared, the DIO_SETUP delay is determined by the expression:</p> $\text{DIO setup delay} = 25 \text{ ns} * (4 + \text{DIO_SETUP}[4:0])$

DAV_HOLD

Offset 0x11 in 4882 Register Set

Reset Value: 0x80

Write Only

1	0	0	DAV_HOLD[4:0]	
7	6	5	4	0

Mnemonic	Type	Description
DAV_HOLD[4:0]	W	<p>DAV Hold Time—DAV_HOLD determines the minimum time the Source state machine asserts DAV# during HS488 transfers when pmt is false. This is the amount of time the Source state machine remains in STRS. The DAV hold time is determined by the expression:</p> $\text{DAV hold time} = 25 \text{ ns} * (2 + \text{DAV_HOLD}[4:0])$

NIC_DELAY

Offset 0x11 in 4882 Register Set

Reset Value: 0x40

Write Only

0	1	0	NIC_DELAY[4:0]					
7	6	5	4					0

Mnemonic	Type	Description
NIC_DELAY[4:0]	W	<p>NIC Delay—NIC_DELAY determines the minimum time the Source state machine asserts NIC at the beginning of an HS488 transfer. NIC_DELAY also determines the minimum time the Source state machine asserts DAV# when pmt is true. The NIC delay is determined by the expression:</p> $\text{NIC delay} = 25 \text{ ns} * (2 + \text{NIC_DELAY}[4:0])$

MISC

Offset 0x15 in 4882 Register Set

Reset Value: 0x00

Write Only

0	0	0	HSE	SLOW	WRAP	NOAS	NOTS
7	6	5	4	3	2	1	0

Mnemonic	Type	Description
HSE	W	<p>HS488 Enable—When HSE is set, HS488 is enabled. When HSE is cleared, the traditional 3-wire transfers are always used. Even when HSE is set, transfers only use the HS488 protocol if both the Talker and Listener are capable of HS488 transfers. The Source state machine detects this condition without intervention and automatically selects between HS488 and 3-wire handshake protocols.</p>

Operation

Configuring the System Cable Length

To use HS488 transfers, a Controller sends the CFE command followed by a CFGn command.

Responding to System Cable Length Configuration

HS488 devices (including the Controller) must recognize and respond to the system cable length commands (CFE and CFGn). The software must recognize the CFE and CFGn commands and implement the CF interface function. Unlike other GPIB commands, the TNT5002 does not automatically respond to these commands. The software must assist the hardware.

To implement the CF interface function set AUXRB[CPT_ENABLE] and IMR1[CPT IE] to interrupt on undefined commands

ISR1[CPT] sets when an undefined “primary” command is received. When an undefined primary command is received, CPT also sets on all secondary commands until a defined primary command is received. Each time the ISR1[CPT] sets, execute the following algorithm:

1. Read the command byte from the CPTR
2. If the command is CFE (0x1F) then
 - a. Disable HS488 as described in the [Disabling HS488](#) section
 - b. Write 0xDF to AUXRF to holdoff on all commands
3. Otherwise, if the command is a PCG command other than CFE then
 - a. Write 0xD0 to AUXRF to clear holdoff on all commands
 - b. clear AUXRB[CPT_ENABLE], then set AUXRB[CPT_ENABLE]
4. Otherwise, if ($0x61 \leq \text{command} \leq 0x6F$)
 - a. Subtract 0x60 from command to calculate cable length
 - b. Enable HS488 with Cable Length as described in the [Enabling HS488](#) section
5. Write AUXMR[VALID] to release DAC holdoff

Enabling HS488

To enable HS488, first write 0x1C to NIC_DELAY. Then, set HIER[DG], HIER[NO_TSETUP], DIO_SETUP and DAV_HOLD according to the following table. Finally, set MISC[HSE].

Cable Length	HIER[DG]	HIER[NO_TSETUP]	DIO_SETUP[4:0]	DAV_HOLD[4:0]
1	0x0	1	0x0	0x0
2	0x0	1	0x0	0x0
3	0x0	0	0x0	0x2
4	0x2	0	0x0	0x2
5	0x2	0	0x2	0x4
6	0x2	0	0x2	0x4
7	0x2	0	0x2	0x4
8	0x3	0	0x4	0x6
9	0x3	0	0x4	0x6
10	0x3	0	0x6	0x8
11	0x3	0	0x6	0x8
12	0x3	0	0x6	0x8
13	0x3	0	0x9	0xB
14	0x3	0	0x9	0xB
15	0x3	0	0x9	0xB

Disabling HS488

To disable HS488 clear MISC[HSE] and write 0x3 to HIER[DG].

Clearing IMR1[CPT IE] and AUXRB[CPT_ENABLE] causes HS488 configuration commands to be ignored.

Timer

Overview

The Timer is a general-purpose timer that can generate interrupts or terminate GPIB subroutine calls that may not return. Most devices do not use timeouts.

Register Bit Definitions

AUXRJ

Offset 0x0A in 4882 Register Set

Reset Value: 0xF0

Write Only

1	1	1	1	TM[3:0]			
7	6	5	4	3	0		

AUXRK

Offset 0x0F in 4882 Register Set

Reset Value: 0x00

Write Only

0	0	0	0	0	0	TM[5:4]	
7	6	5	4	3	2	1	0

Mnemonic	Type	Description
TM[5:0]	W	Timer —TM[5:0] determine the timeout duration of the timer as specified in the following table. The timeout duration depends on the clock frequency. The following table shows the timeout duration assuming a 40 MHz clock. For other clock frequencies, the timeout duration can be scaled by the ratio of the frequencies.

TM[5:0]	Timeout Duration (for 40 MHz Clock)
000000	Disabled
000001	16.0 μ s
000010	32.0 μ s

TM[5:0]	Timeout Duration (for 40 MHz Clock)
000011	128 μ s
000100	256 μ s
000101	1.02 ms
000110	4.10 ms
000111	16.4 ms
001000	32.8 ms
001001	131 ms
001010	262 ms
001011	1.05 s
001100	4.19 s
001101	16.8 s
001110	33.6 s
001111	134 s
010001	300 s
100001	1000 s

IMRO

Offset 0x1D in 4882 Register Set

Reset Value: 0x80

Write Only

GLINT	STBO IE	NLEN	BTO	IFCI IE	ATNI IE	TO IE	SYNC IE
7	6	5	4	3	2	1	0

ISRO

Offset 0x1D in 4882 Register Set

Reset Value: 0x00

Read Only

NBA	STBO	NL	EOS	IFCI	ATNI	TO	SYNC
7	6	5	4	3	2	1	0

Mnemonic	Type	Description
BTO	W	Byte Timeout —When BTO is set, the Timer is reset whenever a data byte is sent or received or whenever a command byte is sent.
TO TO IE	R W	Timeout —TO sets when the timer reaches its timeout value as specified by AUXRJ and AUXRK. Writing any value to TM[3:0] clears TO. TO Interrupt Enable —TO IE enables an interrupt when the TO condition is true. Refer to the <i>Interrupts</i> section for more information.

Operation

Starting the Timer

To start the timer, configure the desired timeout value as follows:

- Write 0000 to TM[3:0]
- Write the desired timeout value to AUXRK[TM[5:4]].
- Write the desired timeout value to AUXRJ[TM[3:0]] to start the timer.

Restarting the Timer

To manually restart the timer, re-execute the configuration steps shown above. If IMRO[BTO] is set, the timer restarts whenever a command or data byte is sent or whenever a data byte is received from the GPIB.

Stopping the Timer

To stop the timer, write 0000 to [TM[3:0]].

Determining when a Timeout Occurs

ISR0[TO] is set when the timeout condition is satisfied. ISR0[TO] can either be polled or enabled to cause an interrupt. The timeout condition is satisfied when the timeout duration elapses.

Interrupts

Overview

This section describes bits used to generate hardware interrupts.

Register Bit Descriptions

IMR0

Offset 0x1D in 4882 Register Set

Reset Value: 0x80

Write Only

GLINT	STBO IE	NLEN	BTO	IFCI IE	ATNI IE	TO IE	SYNC IE
7	6	5	4	3	2	1	0

Mnemonic	Type	Description
GLINT	R	Enable Certain Interrupts —GLINT enables IMR0, IMR1, and IMR2 interrupts. GLINT is redundant with IMR3[TLCINT IE], so always set GLINT. Writing AUXMR[SETSWRST] sets GLINT.

AUXRI

Offset 0x0A in 4882 Register Set

Reset Value: 0x00

Write Only

1	1	1	0	USTD	PPMODE2	0	SISB
7	6	5	4	3	2	1	0

Mnemonic	Type	Description
SISB	W	Static Interrupt Bits —SISB controls the conditions that clear the bits in ISR0, ISR1, and ISR2. If SISB is cleared, reading one of these registers clears the bits in that register. If SISB is set, the bits are cleared as described in this manual. Most applications should set SISB.

IMR3

Offset 0x12 in 4882 Register Set

Reset Value: 0x00

Read/Write

0	GFIFO_RDY IE	SRQ_CIC IE	STOP IE	NFF IE	NEF IE	TLCINT IE	DONE IE
7	6	5	4	3	2	1	0

ISR3

Offset 0x1A in 4882 Register Set

Reset Value: 0x00

Read Only

INT	GFIFO_RDY	SRQ_CIC	STOP	NFF	NEF	TLCINT	DONE
7	6	5	4	3	2	1	0

Mnemonic	Type	Description
INT	R	<p>Interrupt—INT indicates that an enabled IMR3 interrupt is asserted.</p> <p>INT = (IMR3[GFIFO_RDY IE] & ISR3[GFIFO_RDY]) + (IMR3[SRQCIC IE] & ISR3[SRQ_CIC]) + (IMR3[STOP IE] & ISR3[STOP]) + (IMR3[NFF IE] & ISR3[NFF]) + (IMR3[NEF IE] & ISR3[NEF]) + (IMR3[TLCINT IE] & ISR3[TLCINT]) + (IMR3[DONE IE] & ISR3[DONE])</p> <p>INTA# is asserted whenever INT is set.</p>

Mnemonic	Type	Description
TLCINT TLCINT IE	R W	<p>TLC Interrupt—TLCINT indicates whether an enabled IMR0, IMR1, or IMR2 interrupt is asserted.</p> $\text{TLCINT} = \text{IMR0}[\text{GLINT}] \ \& \ \{$ $\quad (\text{IMR2}[\text{SRQI IE}] \ \& \ \text{ISR2}[\text{SRQI}])$ $+ (\text{IMR2}[\text{CO IE}] \ \& \ \text{ISR2}[\text{CO}])$ $+ (\text{IMR2}[\text{LOKC IE}] \ \& \ \text{ISR2}[\text{LOKC}])$ $+ (\text{IMR2}[\text{REMC IE}] \ \& \ \text{ISR2}[\text{REMC}])$ $+ (\text{IMR2}[\text{ADSC IE}] \ \& \ \text{ISR2}[\text{ADSC}])$ $+ (\text{IMR1}[\text{CPT IE}] \ \& \ \text{ISR1}[\text{CPT}])$ $+ (\text{IMR1}[\text{APT IE}] \ \& \ \text{ISR1}[\text{APT}])$ $+ (\text{IMR1}[\text{DET IE}] \ \& \ \text{ISR1}[\text{DET}])$ $+ (\text{IMR1}[\text{END IE}] \ \& \ \text{ISR1}[\text{END}])$ $+ (\text{IMR1}[\text{DEC IE}] \ \& \ \text{ISR1}[\text{DEC}])$ $+ (\text{IMR1}[\text{ERR IE}] \ \& \ \text{ISR1}[\text{ERR}])$ $+ (\text{IMR1}[\text{DO IE}] \ \& \ \text{ISR1}[\text{DO}])$ $+ (\text{IMR1}[\text{DI IE}] \ \& \ \text{ISR1}[\text{DI}])$ $+ (\text{IMR0}[\text{STBO IE}] \ \& \ \text{ISR0}[\text{STBO}])$ $+ (\text{IMR0}[\text{IFCI IE}] \ \& \ \text{ISR0}[\text{IFCI}])$ $+ (\text{IMR0}[\text{ATNI IE}] \ \& \ \text{ISR0}[\text{ATNI}])$ $+ (\text{IMR0}[\text{TO IE}] \ \& \ \text{ISR0}[\text{TO}])$ $+ (\text{IMR0}[\text{SYNC IE}] \ \& \ \text{ISR0}[\text{SYNC}]) \}$ <p>TLC Interrupt Enable—TLCINT IE enables the TNT5002 to generate an interrupt when TLCINT asserts.</p>

Operation

To enable interrupts, write to IMR0, IMR1, IMR2, and IMR3. IMR0[GLINT] and IMR3[TLCINT] should always be set. INTA# asserts whenever ISR3[INT] is set.

The behavior of most interrupts is affected by AUXRI[SISB]. AUXRI[SISB] controls the conditions that clear the bits in ISR0, ISR1, and ISR2. If AUXRI[SISB] is cleared, reading one of these registers clears the bits in that register. If AUXRI[SISB] is set, the bits are cleared as described in this manual. AUXRI[SISB] should be set for most applications.

Debugging Bits

Overview

This section describes bits that can be used for debugging. In most applications, these bits are not used.

Register Bit Descriptions

ADRO

Offset 0x0C in 4882 Register Set

Reset Value: 0x00

Read Only

R	DT0	DL0	PRIMADDR[4:0]
7	6	5	4

Mnemonic	Type	Description																				
DT0	R	Disable Primary Talker —If DT0 is set, the primary Talker is not enabled and PRIM_ADDR is not compared to GPIB Talk commands. If DT0 is cleared, the primary Talker responds to GPIB Talk commands matching PRIM_ADDR.																				
DL0	R	Disable Primary Listener —If DL0 is set, the primary Listener is not enabled and PRIM_ADDR is not compared to GPIB Listen commands. If DL0 is cleared, the primary Listener responds to GPIB Listen commands matching PRIM_ADDR.																				
PRIM_ADDR[4:0]	R	<p>Primary Address—The meaning of PRIM_ADDR depends on the Addressing Mode as selected by ADMR.</p> <table border="1"> <thead> <tr> <th>Addressing Mode</th> <th>PRIM_ADDR</th> </tr> </thead> <tbody> <tr> <td>No Addressing</td> <td>Disabled</td> </tr> <tr> <td>Normal Addressing</td> <td>Primary Address</td> </tr> <tr> <td>Extended Addressing</td> <td>Primary Address</td> </tr> <tr> <td>Normal Dual Addressing</td> <td>Device 1 Primary Address</td> </tr> <tr> <td>Extended Dual Addressing</td> <td>Device 1 Primary Address</td> </tr> <tr> <td>Normal Multiple Addressing</td> <td>Disabled</td> </tr> <tr> <td>Extended Multiple Addressing</td> <td>Disabled</td> </tr> <tr> <td>Talk Only</td> <td>Disabled</td> </tr> <tr> <td>Listen Only</td> <td>Disabled</td> </tr> </tbody> </table>	Addressing Mode	PRIM_ADDR	No Addressing	Disabled	Normal Addressing	Primary Address	Extended Addressing	Primary Address	Normal Dual Addressing	Device 1 Primary Address	Extended Dual Addressing	Device 1 Primary Address	Normal Multiple Addressing	Disabled	Extended Multiple Addressing	Disabled	Talk Only	Disabled	Listen Only	Disabled
Addressing Mode	PRIM_ADDR																					
No Addressing	Disabled																					
Normal Addressing	Primary Address																					
Extended Addressing	Primary Address																					
Normal Dual Addressing	Device 1 Primary Address																					
Extended Dual Addressing	Device 1 Primary Address																					
Normal Multiple Addressing	Disabled																					
Extended Multiple Addressing	Disabled																					
Talk Only	Disabled																					
Listen Only	Disabled																					

ADR1

Offset 0x0E in 4882 Register Set

Reset Value: 0x00

Read Only

EOI	DT1	DL1	ADDR[4:0]
7	6	5	4

Mnemonic	Type	Description																						
EOI	R	EOI# Received —This bit indicates the state of the EOI# line when the most recent data byte was accepted. If EOI is set, the EOI# line was asserted.																						
DT1	R	Disable Talker —If DT1 is set, the primary Talker is not enabled and ADDR is not compared to GPIB Talk commands. If DT1 is cleared, the primary Talker responds to GPIB Talk commands matching ADDR.																						
DL1	R	Disable Listener —If DL1 is set, the primary Listener is not enabled and ADDR is not compared to GPIB Listen commands. If DL1 is cleared, the primary Listener responds to GPIB Listen commands matching ADDR.																						
ADDR[4:0]	R	<p>Other Address—Some of the Addressing Modes selected in the ADMR require an additional address. The following table shows the meaning of ADDR for each Addressing Mode.</p> <table style="width: 100%; border-collapse: collapse;"> <thead> <tr> <th style="text-align: left; border-bottom: 1px solid black;">Addressing Mode</th> <th style="text-align: left; border-bottom: 1px solid black;">ADDR</th> </tr> </thead> <tbody> <tr> <td>No Addressing.....</td> <td>Disabled</td> </tr> <tr> <td>Normal Addressing</td> <td>Disabled</td> </tr> <tr> <td>Extended Addressing.....</td> <td>Secondary Address</td> </tr> <tr> <td>Normal Dual Addressing.....</td> <td>Device 2 Primary Address</td> </tr> <tr> <td>Extended Dual Addressing.....</td> <td>Device 2 Primary Address</td> </tr> <tr> <td>Normal Multiple Addressing.....</td> <td>Disabled</td> </tr> <tr> <td>Extended Multiple Addressing.....</td> <td>Disabled</td> </tr> <tr> <td>Talk Only</td> <td>Disabled</td> </tr> <tr> <td>Listen Only</td> <td>Disabled</td> </tr> <tr> <td>Talk and Listen</td> <td>Disabled</td> </tr> </tbody> </table>	Addressing Mode	ADDR	No Addressing.....	Disabled	Normal Addressing	Disabled	Extended Addressing.....	Secondary Address	Normal Dual Addressing.....	Device 2 Primary Address	Extended Dual Addressing.....	Device 2 Primary Address	Normal Multiple Addressing.....	Disabled	Extended Multiple Addressing.....	Disabled	Talk Only	Disabled	Listen Only	Disabled	Talk and Listen	Disabled
Addressing Mode	ADDR																							
No Addressing.....	Disabled																							
Normal Addressing	Disabled																							
Extended Addressing.....	Secondary Address																							
Normal Dual Addressing.....	Device 2 Primary Address																							
Extended Dual Addressing.....	Device 2 Primary Address																							
Normal Multiple Addressing.....	Disabled																							
Extended Multiple Addressing.....	Disabled																							
Talk Only	Disabled																							
Listen Only	Disabled																							
Talk and Listen	Disabled																							

ADSR

Offset 0x08 in 4882 Register Set

Reset Value: 0x00

Read Only

R	ATNN	SPMS	LPAS	TPAS	LA	TA	MINOR
7	6	5	4	3	2	1	0

Mnemonic	Type	Description
LPAS	R	<p>Listener Primary Address State—LPAS indicates that the Listener has received its primary listen address (MLA). LPAS is cleared after receiving any primary command byte that is not MLA.</p> <p>LPAS is set by: MLA & ACDS</p> <p>LPAS is cleared by: (PCG & ~MLA & ACDS) + pon</p>
TPAS	R	<p>Talker Primary Address State—TPAS indicates that the Talker has received its primary talk address (MTA). TPAS is cleared after receiving any primary command byte that is not MTA.</p> <p>TPAS is set by: MTA & ACDS</p> <p>TPAS is cleared by: (PCG & ~MTA & ACDS) + pon</p>

BSR

Offset 0x1F in 4882 Register Set

Reset Value: 0x00

Read Only

ATN	DAV	NDAC	NRFD	EOI	SRQ	IFC	REN
7	6	5	4	3	2	1	0

DSR

Offset 0x11 in 4882 Register Set

Reset Value: 0x00

Read Only

DIO[8:1]	
7	0

Mnemonic	Type	Description
ATN	R	GPIB Monitor Bits —The BSR and DSR registers indicate the status of the GPIB signals.
DAV	R	
NDAC	R	
NRFD	R	
EOI	R	
SRQ	R	
IFC	R	
REN	R	
DIO[8:1]	R	

CSR

Offset 0x17 in 4882 Register Set

Reset Value: 0x4C

Read Only

VERSION[3:0]				1	MODE	0	0
7	6	5	4	3	2	1	0

Mnemonic	Type	Description
VERSION[3:0]	R	Version —This field indicates the version of the TNT5002. For this TNT5002, VERSION[3:0] reads back 0100. This value may change in future versions.
MODE	R	4882-mode —This bit is set when in PCI4882 or GEN4882 modes and cleared in PCI9914 and GEN9914 modes.

DIR

Offset 0x00 in 4882 Register Set

Reset Value: 0x00

Read Only

DIR[7:0]							
7							0

Mnemonic	Type	Description
DIR[7:0]	R	Data In —The DIR contains the last data byte accepted.

ISR0

Offset 0x1D in 4882 Register Set

Reset Value: 0x00

Read Only

NBA	STBO	NL	EOS	IFCI	ATNI	TO	SYNC
7	6	5	4	3	2	1	0

Mnemonic	Type	Description
EOS	R	<p>End-of-String—EOS indicates that the last data byte received satisfies the END condition. ISR1[END] should be used instead of EOS to detect the end of a read transfer.</p> <p>EOS is set by: LACS & EOS & REOS & ACDS</p> <p>EOS is cleared by: pon + ~REOS + (LACS & ~EOS & ACDS)</p>

MISC

Offset 0x15 in 4882 Register Set

Reset Value: 0x00

Write Only

0	0	0	HSE	SLOW	WRAP	NOAS	NOTS
7	6	5	4	3	2	1	0

Mnemonic	Type	Description
WRAP	W	<p>Wrap Back—When WRAP is set, the GPIB pins are tristated, but the GPIB signals are fed back into the TNT5002. The external state of each signal is ignored. This bit may be used to allow diagnostics to run without disconnecting GPIB cables from the board.</p>

SASR

Offset 0x1B in 4882 Register Set

Reset Value: 0x00

Read Only

NBA	AEHS	ANHS1	ANHS2	ADHS	ACRDY	SH1A	SH1B
7	6	5	4	3	2	1	0

Mnemonic	Type	Description
NBA	R	New Byte Available —NBA reflects the local nba message, which indicates that the SH interface function has a byte to send. Specifically, NBA = ~CFGR[IN] & ~(FIFO empty).
AEHS	R	Acceptor End Holdoff State —AEHS sets after receiving a data byte with EOI# asserted, receiving a data byte matching the EOSR when AUXRA[REOS] is true, or receiving the NL character (0x0A) when IMR0[NLEN] is true.
ANHS1	R	Acceptor Not Ready Holdoff —ANHS1 sets when the Acceptor receives a data byte with EOI# asserted, receives a data byte matching the EOSR when AUXRA[REOS] is true, or receives the NL character (0x0A) when NLEN is true. ANHS1 also sets when a data byte is accepted when the Acceptor is not in Continuous Holdoff mode. ANHS1 is cleared when holdoff is false, AUXMR[RHDF] is issued, or AUXMR[LTN_CONT] is issued.
ANHS2	R	Acceptor Not Ready Holdoff Immediately bit —ANHS2 is set by writing AUXMR[HLDI]. ANHS2 is cleared by writing AUXMR[RHDF].
ADHS	R	Acceptor Data Holdoff State bit —ADHS sets when a DAC holdoff is active. ADHS is cleared by writing AUXMR[VALID] or AUXMR[INVALID].

Mnemonic	Type	Description
ACRDY	R	<p>Acceptor Ready State bit—ACRDY can be used with ADSR[LA], ADSR[ATNN], BSR[DAV] and ADHS to determine the state of the Acceptor Handshake function. The preferred method of reading the Acceptor Handshake state is by reading STR1.</p> <p>AIDS = \simADSR[ATNN] & \simADSR[LA] ANRS = \simAIDS & \simACRDY & \simBSR[DAV] ACRS = \simAIDS & ACRDY & \simBSR[DAV] ACDS = \simAIDS & ACRDY & BSR[DAV] + \simAIDS & \simACRDY & BSR[DAV] & ADSR[ATNN] & ADHS AWNS = \simAIDS & \simACRDY & BSR[DAV] & \sim(ADSR[ATNN] & ADHS)</p>
SH1A, SH1B	R	<p>Source Handshake State bits—The Source Handshake state can be used with TA, SPMS and ATNN in the ADSR to determine the state of the Source Handshake function. The preferred method of reading the Source Handshake state is by reading STR2.</p> <p>SIDS = \sim(TACS & \simADSR[ATNN]) SGNS = \simSIDS & \simSH1A & \simSH1B SDYS = \simSIDS & SH1A STRS = \simSIDS & \simSH1A & \simSH1B</p>

STS1

Offset 0x10 in 4882 Register Set

Reset Value: 0x01

Read Only

DONE	R	IN	DRQ	STOP	DAV	HALT	GSYNC
7	6	5	4	3	2	1	0

Mnemonic	Type	Description
DONE	R	<p>DONE—At the end of a transfer, DONE indicates that all devices on the GPIB have finished the transfer. DONE only sets after STOP sets. This bit is identical to ISR3[0].</p>

Mnemonic	Type	Description
IN	R	GPIB Transfer Direction —IN reflects the GPIB Transfer direction as set by CFG[5]. IN set indicates the TNT5002 is configured to accept GPIB data bytes. IN cleared indicates the TNT5002 is configured to send GPIB data bytes or command bytes.
DRQ	R	Internal DMA Request —The TNT5002 asserts this internal signal to indicate to the PCI interface circuitry that data may be transferred between the GFIFO and the DFIFO. DRQ also reflects the state of the DRQ pin in GEN4882 mode.
STOP	R	GPIB Transfer Stopped —STOP is set by any of the following conditions: <ul style="list-style-type: none"> • The last byte (as indicated by the CNT registers) of a command or data transfer is written to the GPIB • The last byte (as indicated by the CNT registers) of a read transfer is read into the GFIFO • The CMDR[STOP] command is issued • The CMDR[SOFT_RESET] command is issued or a hardware reset asserts. STOP is cleared by CMDR[GO].
DAV	R	DAV —This bit indicates the status of the GPIB Handshake line DAV. If DAV is set, the GPIB DAV# signal is asserted.
HALT	R	GPIB Transfer Halted —HALT indicates the status of the GPIB transfer circuit. HALT is set if the STOP bit is set. When TLCHLTE is set, HALT also sets when any enabled interrupt in IMR0, IMR1, or IMR2 asserts. If NOAS is set or NOTS is set, certain IMR0, IMR1, and IMR2 interrupts do not cause HALT.

Mnemonic	Type	Description
GSYNC	R	<p>GPIB Synchronized—GSYNC indicates that the GPIB has synchronized. That is, the last byte transferred was accepted by all GPIB Listeners.</p> <p>CMDR[GO] clears GSYNC.</p> <p>GSYNC is set by when the following expression becomes true:</p> <p style="padding-left: 20px;">HALT & CFGR[IN] & (AIDS + ANRS) + HALT & ~CFGR[IN] & (SIDS + SGNS).</p> <p>GSYNC is also set by a hardware or software reset.</p>

STS2

Offset 0x1C in 4882 Register Set

Reset Value: 0x0A

Read Only

1	16/8N	0	1	AFFN	AEFN	BFFN	BEFN
7	6	5	4	3	2	1	0

Mnemonic	Type	Description
16/8N	R	16-bit or 8-bit FIFO mode —This bit reflects the status of the 16/8N bit in CFG[0].
AFFN	R	FIFO A Not Full Flag —AFFN is set when at least one byte may be written to GFIFO[15:8].
AEFN	R	FIFO A Not Empty Flag —AEFN is set when at least one byte may be read from GFIFO[15:8].
BFFN	R	FIFO B Not Full Flag —BFFN is set when at least one byte may be written to GFIFO[7:0].
BEFN	R	FIFO B Not Empty Flag —BEFN is set when at least one byte may be read from GFIFO[7:0].

Miscellaneous Bits

Overview

This section describes bits that are not used in most normal applications. In most applications, write 0 to these bits.

Rarely Used GPIB Transfer Bits

HSEL

Offset 0x0D in 4882 Register Set

Reset Value: 0x00

Write Only

0	MIKEJ	GOTOSIDS	NODMA	0	0	0	0
7	6	5	4	3	2	1	0

Mnemonic	Type	Description
NODMA	W	<p>Disable DMA—When NODMA is cleared, the TNT5002 generates a DRQ (DMA request) signal when data needs to be transferred to or from the GFIFO. The DMA Controller responds by doing a DMA transfer to the GFIFO.</p> <p>When NODMA is set, the TNT5002 does not request or respond to DMA transfers.</p>

CFG

Offset 0x10 in 4882 Register Set

Reset Value: 0x00

Write Only

COMMAND	TLCHLTE	IN	A/BN	CCEN	0	0	16/8N
7	6	5	4	3	2	1	0

Mnemonic	Type	Description
TLCHLTE	W	<p>Halt on TLC interrupts—TLCHLTE determines which conditions halt the GPIB Transfer Manager (once it has been started with CMDR[GO]. When TLCHLTE is cleared, the GPIB Transfer manager halts when the CMDR[STOP] is issued and all of the bytes specified in the CNT3–0 registers have been transferred.</p> <p>When TLCHLTE is set, the GPIB Transfer manager also halts when any enabled interrupt in IMR0, IMR1, or IMR2 asserts.</p> <p>In most applications, the GPIB Transfer manager should only be stopped in response to some of the IMR0, IMR1, or IMR2 interrupts. Typically, TLCHLTE is cleared. When an interrupt asserts, software determines whether the interrupt should stop the GPIB Transfer manager. CMDR[STOP] can then be issued to stop the GPIB Transfer manager.</p>
A/BN	W	<p>Endianess Control for FIFOs—When packing and unpacking data into the FIFO in 16-bit mode, the GPIB Transfer Manager alternates writing (or reading) bytes to FIFO A and FIFO B. If A/BN is cleared, the GPIB Transfer manager writes (or reads) the first byte to FIFO B. If A/BN is set, the GPIB Transfer manager writes (or reads) the first byte to FIFO A.</p>

Rarely Used Controller Bits

AUXRG

Offset 0x08 in 4882 Register Set

Reset Value: 0x40

Write Only

0	1	0	0	0	RPP2	DISTCT	CHES
7	6	5	4	3	2	1	0

Mnemonic	Type	Description
RPP2	W	Assert rpp —When RPP2 is set, the local rpp message is true. If Active Controller, rpp causes a parallel poll to be conducted. Normally, AUXMR[RPP1] is used to conduct parallel polls. When using rpp, the duration of the parallel poll is 80 clock cycles. RPP2 allows duration or parallel polls to be controlled.
DISTCT	W	Disable TCT Recognition —Setting DISTCT causes the GPIB TCT command message to be undefined. If a GPIB Controller tries to pass control to the TNT5002, the TNT5002 does not become the Controller.

AUXMR

Offset 0x0A in 4882 Register Set

Reset Value: 0x00

Write Only

AUXMR_CMD	
7	0

AUXMR Command	Value	Description
LUN	0x1C	Local Unlisten —LUN causes the Listener state machine to enter LIDS if the Controller state machine is in CACS.

Rarely Used Interrupt Bits

IMRO

Offset 0x1D in 4882 Register Set

Reset Value: 0x80

Write Only

GLINT	STBO IE	NLEN	BTO	IFCI IE	ATNI IE	TO IE	SYNC IE
7	6	5	4	3	2	1	0

ISRO

Offset 0x1D in 4882 Register Set

Reset Value: 0x00

Read Only

NBA	STBO	NL	EOS	IFCI	ATNI	TO	SYNC
7	6	5	4	3	2	1	0

Mnemonic	Type	Description
IFCI IFCI IE	R W	<p>IFC Interrupt—IFCI is set when the GPIB IFC# signal asserts. IFC# unasserted or writing AUXMR[CLR_IFCI] clears IFCI. The GPIB state machines detect and appropriately handle IFC# without any intervention. IFC# should not have any other effect on the device, so devices should not monitor or interrupt on IFCI.</p> <p>IFCI Interrupt Enable—IFCI IE enables an interrupt when the IFCI condition is true.</p>
ATNI ATNI IE	R W	<p>ATN Interrupt—ATNI is set when the GPIB ATN# signal asserts. ATN# unasserted or writing AUXMR[CLR_ATNI] clears ATNI. The GPIB state machines detect the ATN# signal and interpret it appropriately without any intervention. ATN# should not have any other effect on the device, so devices should not monitor or interrupt on ATNI.</p> <p>ATNI Interrupt Enable—ATNI IE enables an interrupt when the ATNI condition is true.</p>

AUXMR

Offset 0x0A in 4882 Register Set

Reset Value: 0x00

Write Only

AUXMR_CMD	
7	0

AUXMR Command	Value	Description
CLR_SRQI	0x58	Clear ISR2[SRQI] —When AUXRI[SISB] is set, CLR_SRQI is used to clear ISR2[SRQI].
CLR_IFCI	0x5C	Clear ISR0[IFCI] —When AUXRI[SISB] is set, CLR_IFCI is used to clear ISR0[IFCI].
CLR_ATNI	0x5D	Clear ISR0[ATNI] —When AUXRI[SISB] is set, CLR_ATNI is used to clear ISR0[ATNI].

Rarely Used Addressing Mode Bits

Register Bit Definitions

ADMR

Offset 0x08 in 4882 Register Set

Reset Value: 0x00

Write Only

ADDR_MODE	
7	0

Mnemonic	Type	Description						
ADDR_MODE	W	<p>Address Mode—The ADMR selects the addressing mode of the device. The following table lists all address modes.</p> <table border="1"> <thead> <tr> <th>Addressing Mode</th> <th>ADMR</th> <th>Number of GPIB Devices</th> </tr> </thead> <tbody> <tr> <td>Extended Addressing..... 0x32.....</td> <td></td> <td>1</td> </tr> </tbody> </table>	Addressing Mode	ADMR	Number of GPIB Devices	Extended Addressing..... 0x32.....		1
Addressing Mode	ADMR	Number of GPIB Devices						
Extended Addressing..... 0x32.....		1						

ADRO

Offset 0x0C in 4882 Register Set

Reset Value: 0x00

Write Only

0	DT0	DL0	PRIM_ADDR[4:0]
7	6	5	4
			0

Mnemonic	Type	Description
DT0	W	<p>Disable Primary Talker—If DT0 is set, the primary Talker is not enabled and PRIM_ADDR is not compared to GPIB Talk commands. If DT0 is cleared, the primary Talker responds to GPIB Talk commands matching PRIM_ADDR.</p>

Mnemonic	Type	Description						
DL0	W	Disable Primary Listener —If DL0 is set, the primary Listener is not enabled and PRIM_ADDR is not compared to GPIB Listen commands. If DL0 is cleared, the primary Listener responds to GPIB Listen commands matching PRIM_ADDR.						
PRIM_ADDR[4:0]	W	Primary Address —The meaning of PRIM_ADDR depends on the Addressing Mode as selected by ADMR. <table border="0"> <tr> <td style="text-align: right;">Addressing Mode</td> <td style="text-align: left;">PRIM_ADDR</td> </tr> <tr> <td colspan="2"><hr/></td> </tr> <tr> <td colspan="2">Extended Addressing Primary Address</td> </tr> </table>	Addressing Mode	PRIM_ADDR	<hr/>		Extended Addressing Primary Address	
Addressing Mode	PRIM_ADDR							
<hr/>								
Extended Addressing Primary Address								

ADR1

Offset 0x0C in 4882 Register Set

Reset Value: 0x00

Write Only

1	DT1	DL1	SEC_ADDR[4:0]	0
7	6	5	4	0

Mnemonic	Type	Description						
DT1	W	Disable Talker —If DT1 is set, the primary Talker is not enabled and ADDR is not compared to GPIB Talk commands. If DT1 is cleared, the primary Talker responds to GPIB Talk commands matching ADDR.						
DL1	W	Disable Listener —If DL1 is set, the primary Listener is not enabled and ADDR is not compared to GPIB Listen commands. If DL1 is cleared, the primary Listener responds to GPIB Listen commands matching ADDR.						
ADDR[4:0]	W	Other Address —Some of the Addressing Modes selected in the ADMR require an additional address. The following table shows the meaning of ADDR for each Addressing Mode. <table border="0"> <tr> <td style="text-align: right;">Addressing Mode</td> <td style="text-align: left;">ADR1</td> </tr> <tr> <td colspan="2"><hr/></td> </tr> <tr> <td colspan="2">Extended Addressing Secondary Address</td> </tr> </table>	Addressing Mode	ADR1	<hr/>		Extended Addressing Secondary Address	
Addressing Mode	ADR1							
<hr/>								
Extended Addressing Secondary Address								

Operation—Extended Dual Addressing Mode

To use Extended Dual Addressing mode, first write the primary address to ADR0. If only one primary address is used, write 0xE0 to ADR1. If two primary addresses are used, write the second primary address to ADR1.

Poll for or interrupt on ISR1[APT]. When ISR1[APT] sets, read ADSR[MINOR] to determine which primary address was received and read the CPTR to see what secondary command is on bus. If the secondary command is one of the addresses implemented by the device, write AUXMR[VALID]. Otherwise, write AUXMR[INVALID].

AUXMR[VALID] causes a transition to enter TADS or LADS.

DMA Manager

DMA Overview

The DMA Manager contains a 64-byte FIFO (DFIFO), separate from the GFIFO, which can be used for DMA transfers. This FIFO, combined with the GFIFO, allow the GPIB Source or Acceptor to continuously transfer data at rates up to 8 MB/s. The DMA Manager may only be used in PCI4882 mode.

If DMA is used, the CPU should never write directly to the GFIFO. Bytes are automatically transferred between the DFIFO and the GFIFO. The GPIB circuitry should be programmed in an identical way regardless of whether DMA is used.

This chapter divides a DMA transfer into three phases: Initialization, Transfer, and Termination. Link Chaining is the recommended transfer mode and the descriptions of the three phases assume Link Chaining mode.

Link Chaining Overview

The DMA Controller uses a process called Link Chaining to control DMA transfers. In this mode, the LKAR is programmed with the physical address of the first node in a linked list in memory. The nodes in the linked list each have three 32-bit fields. Link Chain nodes have the transfer count of the block of data associated with that node (count), the physical address of the start of the data block (mem_address), and the physical address of the next node in the linked list (next). When the DMA Controller fetches a node from memory, it loads count into the TCR, mem_address into the MAR, and next into the LKAR. When the DMA Controller has transferred all of the data associated with a given node, it loads the next node's values. The process continues until the DMA Controller reads a node with the count set to 0.

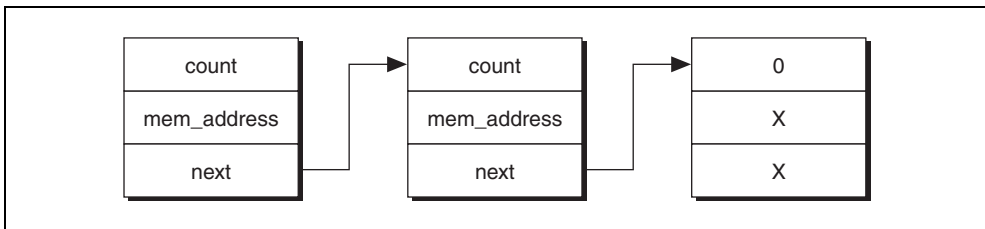


Figure 5-1. Short Link Structure Formats

DMA Transfers

DMA Transfers are divided into three phases; Initialization, Transfer, and Termination.

Initialization Phase

Most applications should not set any interrupt enables for the DMA Status/Control registers. Instead, interrupts in the 4882 Register set should be enabled.

DMA Read Operation in Link Chain Mode

Assuming the DMA Controller just came out of one of the reset conditions (internal POR, global reset, or DMA Channel reset) one can start the Initialization phase of a transfer. To start a DMA read, perform the following steps:

1. Program the CHCR, MCR, DCR, and LKCR for the ports, size, and other options as needed. Typical values written to these registers are as follows:

CHCR: 0x0000040C

MCR: 0x00e00700

DCR: 0x00e40241

LKCR: 0x00000700

2. Create the link chain in memory.



Note The mem_address must be a word aligned address.

3. Program the LKAR with the physical address of the first link in memory.
4. Set CHOR[START].

DMA Write Operation in Link Chain Mode

Assuming the DMA Controller just came out of one of the reset conditions (internal POR, global reset, or DMA Channel reset) one can start the Initialization phase of a transfer. To start a DMA write, perform the following steps:

1. Program the CHCR, MCR, DCR, and LKCR for the ports, size, and other options as needed. Typical values written to these registers are as follows:

CHCR: 0x00002404

MCR: 0x00e00700

DCR: 0x00e40241

LKCR: 0x00000700

2. Create the link chain in memory.



Note The mem_address must be a word aligned address.

3. Program the LKAR with the physical address of the first link in memory.
4. Set CHOR[START].

Transfer Phase

In Link mode, after CHOR[START] is written, the DMA Controller fetches link information as pointed to by the LKAR. The DMA Controller populates the TCR, MAR, LKAR and possibly DAR with values read from the link node. The Link process continues until it reads in a TCR value of zero. The address of the node for the current transfer is copied to the LLKAR, as the LKAR contains the address of the next link in the chain after the first node is read.

Termination Phase

If the DMA Controller stops due to normal termination (reading a link node with count set to 0) then no cleanup is needed. Anything that causes the DMA Controller to terminate, either normally or due to an error, sets CHSR[DONE]. There are several ways the DMA Controller terminates. It can be stopped by a successful transfer or by using a software command. The software commands that stop the DMA Controller are CHOR[STOP], CHOR[ABORT], CHOR[SET LPAUSE], and CHOR[DMARESET].

Setting CHOR[DMARESET] has the same effect as a power-on reset (POR). Any cycle or transfer is terminated when CHOR[DMARESET] is set. All DMA Controller registers are reset and the DFIFO is cleared. This method should be avoided if a transfer is in progress.

CHOR[ABORT] and CHOR[STOP] can be used to terminate the transfer at any time. Using CHOR[STOP] allows the DMA Controller to empty the DFIFO before terminating. If CHOR[ABORT] is used, the DMA Controller is not allowed to empty the DFIFO.

CHOR[SET LPAUSE] is used to pause the Link process if the structures in memory need to be modified. Setting CHOR[SET LPAUSE] stops the processing of links until cleared with CHOR[CLR LPAUSE]. The link information is reloaded after CHOR[CLR LPAUSE].

If the DMA Controller is stopped during a transfer the DMA Controller could have been anywhere in memory reading links. The first step to recovery is to set CHCR[XMODE[2:0]] to 000 if the TCR or FCR are not 0, then write CHOR[START] to finish the partial transfer. To restart the link chain first set CHCR[XMODE[2:0]] to 100. Then read the LLKAR to get the last attempted and write this value into the LKAR. Setting CHOR[START] starts the DMA Controller again. The same process works for CHOR[ABORT]. Another way to pause the DMA Controller during Link mode is the use of CHOR[SET LPAUSE]. To recover from

this simply copy the LLKAR or a new node address into the LKAR before writing CHOR[CLR LPAUSE] again.

When CHCR[NETP] is set to anything other than 1 byte, there may be bytes remaining in the DFIFO at the end of a DMA transfer. If CHCR[NETP] is not set to 1 byte, read FCR[7:0] at the end of a DMA transfer to determine the number of bytes remaining in the DFIFO. These bytes must then be manually read from the DFIFO. The DMA controller should be stopped before accessing the DFIFO.

Alignment of Data in the DFIFO

The GFIFO always interprets DMA accesses as 16-bits wide. However, the DMA Controller is capable of 8-bit DMA accesses to the GFIFO. Care must be taken to ensure the DMA Controller does not perform an 8-bit access, except on the last byte of a transfer.

Consider the following case during a DMA write: A link chain with three nodes is created in memory, the first containing a valid odd count and an odd address in memory. The DMA Controller will begin reading data from memory and perform word accesses from the DFIFO to the GFIFO. At the end of the data transfer described by this node there will be just one byte in the DFIFO. The DMAC will attempt to align transfers to dword addresses. The DMA Controller will perform a byte-wide DMA access to the GFIFO; however, the GFIFO interprets all DMA accesses as 16-bits wide. The DMA Controller performs byte-smearing during DMA transfers to unused byte lanes so the result will be that the same byte appears in the GFIFO twice. This can be avoided by ensuring that all transfers start at an even (word aligned) address in memory.

This problem does not occur if the starting address is even and the count is odd. An extra byte can be written to or read from the GFIFO at the end of a GPIB transfer without corrupting the transfer.

Serial ROM

Overview

The PCI4882 and PCI9914 modes of the TNT5002 implement the 2 wire serial interface found on 24Cxx family of EEPROMs. The Serial ROM interface is not accessible in GEN4882 or GEN9914 modes. Some compatible vendors of these parts are Atmel, Catalyst, National Semiconductor, Philips, and Ricor. At a minimum the PCI Device ID and serial number can be loaded from the serial ROM. Additional data can be stored in the serial ROM, but must be manually read through the SRIR.

Serial Autoload

Serial Autoload occurs if USE_ROM is asserted. During Serial Autoload the TNT5002 automatically loads the PCI Device ID and serial number from the EEPROM after PCI Reset or Global Reset. It begins loading at address 0 on the serial interface. Data that is loaded automatically is interpreted as big endian, most significant bit first. The bytes at addresses 0 and 1 must be 0. The TNT5002 uses the Random Read protocol during Serial Autoload.

Serial ROM Contents

PCI Device ID		0x0000	
BYTE 3	BYTE 2	BYTE 1	BYTE 0

SERIAL NUMBER			
BYTE 7	BYTE 6	BYTE 5	BYTE 4

PCI Device ID

First, bytes 0 and 1 are read and discarded. Then, 16 bits are loaded from serial addresses 2 and 3 and loaded into PIDR[31:16] (PCI Device ID). This occurs immediately after PCI_RST# is asserted to prevent a BIOS from reading the PIDR before it is loaded. The Device ID is not guaranteed to be loaded before the first BIOS access to the PIDR because of the amount of time required to read the EEPROM. If a system is determined to read the PIDR only after serial autoloading completes, then the PCI Device ID can be loaded from the EEPROM. Otherwise, the PCI Device ID in the EEPROM must match the default value of the PIDR if USE_ROM is asserted to prevent the value from changing after it has been read by the BIOS. The serial ROM Autoload is complete after approximately 1.6 ms.

Serial Number

After the PIDR is read, a 32 bit value is read from addresses 4 through 7 and loaded into SNUM. This value is intended to be used as the serial number of the device. When USE_ROM is unasserted, SNUM retains its reset value. If more than one PCI device with a PCI Vendor/Device ID of 0xC8011093 exists in the same system, each device must have a unique, non-zero serial number if an NI-488.2 driver is used.

Remaining Bytes

All bytes beyond byte 7 can be arbitrarily changed. These bytes can not be read directly from a register but can be read from the serial ROM by use of the SRIR.

Some status information is available in the SRIR to indicate the state of the serial auto load procedure. After serial auto load is complete the SRIR also provides a method to programmatically read and write the serial EEPROM. Refer to the [SRIR](#) description.

Accessing the EEPROM

Random Read Protocol During Serial Autoload

During Serial Autoload the TNT5002 automatically reads the EEPROM using the Random Read I²C protocol. A random read requires a “dummy” byte write sequence to load in the data dword address. Once the device address and data address are clocked in and acknowledged by the EEPROM, the TNT5002 generates another start condition. The TNT5002 now initiates a current address read by sending a device address with the read/write select bit high. The EEPROM acknowledges the device address and serially clocks out the data. The TNT5002 does not respond with a zero but does generate a stop condition. No user intervention is required for Serial Autoload.

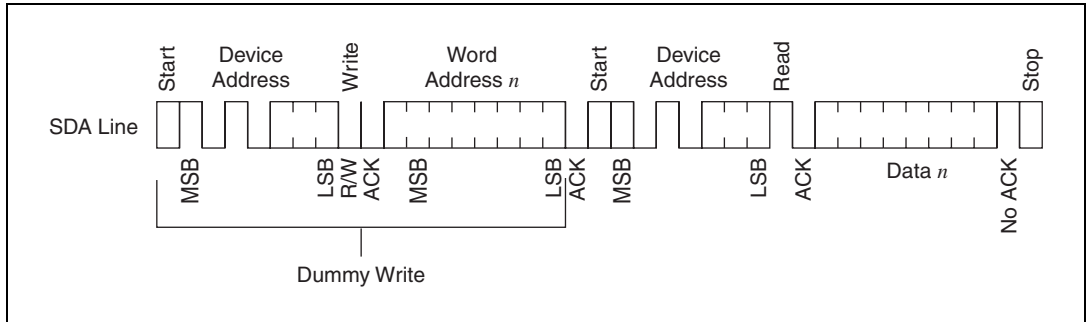


Figure 6-1. SDA line during a Serial Autoload

Accessing the EEPROM Manually

The EEPROM can be manually read from and written to using the SRIR. Only the PCI Device ID and serial number are automatically loaded into TNT5002 registers. Refer to the EEPROM datasheet for the I²C protocol.

Register Bit Descriptions

SRIR

Offset 0x480 from PBAR0

Read/Write

SRI BUSY	R	R	R	R	SRI BYTE[2:0]		
31	30	29	28	27	26	25	24
R	R	R	R	R	R	R	SDA DSTAT
23	22	21	20	19	18	17	16
R	R	R	R	R	R	R	R
15	14	13	12	11	10	9	8
R	R	R	R	R	R	SCL	SDA
7	6	5	4	3	2	1	0

Mnemonic	Type	Description
SRI_BUSY	R	Serial ROM Interface Busy —This read only bit indicates the status of serial auto load. If this bit returns 1 serial auto load is in progress. A 0 indicates serial auto load is complete or the device is not connected to a Serial ROM (USE_ROM is unasserted).
SRI_BYTE[2:0]	R	Serial ROM Byte Status —These read only bits indicate the progress of serial auto load by reporting the current byte being loaded. This field increments from 0 to 7 as progress is made in the serial auto load procedure.
SDA_DSTAT	R	SDA Drive Status —This read only bit reflects the state of the writable bit at position 0 of this register.
SCL	R/W	Serial ROM Clock —This writable-readable bit controls the state of the SCL pin after serial auto load is complete. Writing a 1 causes a high logic level on the SCL pin and writing a 0 causes a low logic level. This bit is set by PCI Reset or Global Reset.
SDA	R/W	Serial ROM Data —Writing this bit controls the drive state of the SDA pin after serial auto load is complete. Since the SDA pin is open-collector, writing a 1 causes a high impedance on the SDA pin and writing a 0 causes a low logic level. Note that this bit must be set 1 when reading data from the serial EEPROM. Reading this bit returns the current value of the SDA pin. The writable version of this bit must be read at position 16 of this register since reading bit 0 always reflects the state of the external pin. This bit is set by PCI Reset or Global Reset.

SNUM

Offset 0x2000 – 0x3FFF from PBAR1

Reset Value: 0x00000000

Read Only

SNUM[31:24]							
31	30	29	28	27	26	25	24
SNUM[23:16]							
23	22	21	20	19	18	17	16
SNUM[15:8]							
15	14	13	12	11	10	9	8
SNUM[7:0]							
7	6	5	4	3	2	1	0

Mnemonic	Type	Description
SNUM	R	Serial Number —When the USE_ROM pin is asserted, this register is automatically loaded with the serial number read from the serial ROM. If USE_ROM is unasserted, this register retains its reset value. This register is aliased across a large address space for backwards-compatibility. New software should only access SNUM at offset 0x2000.

Clocks

Clock Domains

The TNT5002 has 2 clock domains in PCI4882 mode, the PCI domain and the GPIB domain. In GEN4882 mode there is only one clock domain, the GPIB domain.

PCI4882 Mode

All of the PCI interface circuitry is clocked from the PCI_CLK pin. This circuitry includes all registers in the Local Configuration group, PCI Configuration group, and DMA Controller group. This clock is subject to the constraints of the PCI specification for 33 MHz operation.

The source of the clock for the GPIB circuitry, which includes the 4882 Mode Register Set, can either be the PCI_CLK or an external clock connected to EXT_CLK. When USE_PCI_CLK is unasserted, the GPIB circuitry is clocked by EXT_CLK. If USE_PCI_CLK is asserted the GPIB circuitry is clocked by PCI_CLK and no other clock is needed (EXT_CLK must not be driven). The frequency of EXT_CLK can be any frequency between PCI_CLK and 40 MHz. If a clock with a frequency less than 40 MHz is used, GPIB transfer rates may be reduced because the Source and Acceptor handshake functions, which are clocked by EXT_CLK, require 40 MHz for maximum transfer speed. A 40 MHz clock is required for HS488 transfers.

USE_PCI_CLK	Behavior
0	GPIB circuitry clocked by EXT_CLK
1	GPIB circuitry clocked by PCI_CLK

All timing diagrams are based on a 33 MHz PCI clock and a 40 MHz external clock.

GEN4882 Mode

The frequency of EXT_CLK should be 40 MHz. All registers accessible in these modes are clocked by EXT_CLK.

Reset Considerations

Hardware Resets

PCI Reset (PCI4882 Mode Only)

This reset is asserted by the PCI_RST# pin from the PCI bus. This signal can be asynchronous with respect to PCI_CLK. PCI Reset performs the following functions:

- Asynchronously tri-states the GPIB signals.
- Asserts the local GPIB pon message.
- Sets the mode to PCI4882 mode.
- Resets all GPIB registers to their reset state.
- Resets all Status/Control Registers.
- Causes a serial ROM Autoload to occur.

Generic Reset (GEN4882 Mode Only)

This reset is asserted by the RESET# pin. This signal can be asynchronous with respect to CLK. Generic Reset performs the following functions:

- Asynchronously tri-states the GPIB signals.
- Asserts the local GPIB pon message.
- Sets the mode to GEN4882-mode.
- Resets all GPIB registers to their reset state.

Software Resets

The following resets can be triggered by writing to registers.

GPIB Software Reset (PCI4882 Mode Only)

This reset is asserted by writing CMDR[SOFT_RESET] and has the following effects:

- Resets the following registers: CFG, HSSEL, and IMR3
- Sets the internal DONE and STOP signals
- Resets the GFIFO
- Configures the CNT registers for 16-bit operation

GPIB Hardware Reset (PCI_4882 Mode)

This reset is asserted by writing CMDR[HARD_RESET]. This reset has the same function as a hardware reset.

GPIB pon (All Modes)

This reset is asserted by writing AUXMR[PON] in PCI4882 and GEN4882 modes. Asserting pon by writing to the AUXMR or AUXCR causes pon to become asserted then unasserted.

Global Reset, GPIB Hardware Reset, Generic Reset, and PCI Reset also cause pon to assert. If pon is asserted by one of these resets it must be manually cleared by writing AUXMR[PON] or AUXCR[SWRST].

Asserting pon causes the GPIB state machines to return to their idle states and also asynchronously unasserts the GPIB signals.

GPIB Reset (All Modes)

This reset is asserted by writing AUXMR[CH_RST] in PCI4882 and GEN4882 modes, and has the following effects:

- Resets the following PCI4882 and GEN4882 mode registers: SPMR, AUXRA, AUXRB, AUXRE, AUXRF, AUXRG, AUXRI, AUXRJ, AUXRK, BCR, MISC, HIER, EOSR and PT1
- Clears parallel poll flag (ist)
- Sets PPR[PPMODE1]
- Clears all ISRs and IMRs
- Sets the local pon message (pon must be manually cleared after GPIB Reset)

DMA Reset (PCI4882 Mode)

This reset is asserted by writing CHOR[DMA RESET]. Following an assertion of this reset all registers in the DMA Status/Control group are reset to their initial value.

Power-on Considerations

The TNT5002 can be powered on or off while connected to the GPIB without causing glitches on the GPIB signals. To guarantee that glitches do not occur, a pin must be asserted while the 3.3V power ramps up. The pin in PCI4882 mode is PCI_RST#. The pin in GEN4882 mode is PWR_GOOD.



Electrical Specifications and Timing

Absolute Maximum Ratings

Symbol	Parameter	Condition	Min	Typ	Max	Units
Vdd	Supply voltage	—	-0.3	—	4.0	V
Vin	Input pin voltage	—	-0.3	—	Vdd + 0.3	—
Iin	Input pin current	25 °C	-10.0	—	10.0	mA
Tstg	Storage temperature range	—	-55	—	150	C
Tlead	Lead temperature*	—	—	—	300	C
Ta	Ambient temperature	—	0	—	70	C

* 10 sec

DC Specifications

General DC Specifications

Symbol	Parameter	Condition	Min	Typ	Max	Units
Vcc	Supply voltage	—	3.0	3.3	3.6	V
Vio	PCI signaling voltage*	3.3V Signaling	3.0	3.3	3.6	V
		5V Signaling	4.75	5.0	5.25	V
Icc	Power supply	—	—	100.0	150.0	mA

* Must comply with PCI Specification.

Serial ROM Interface Specifications

These specifications apply to the SCL and SDA pins.

Symbol	Parameter	Condition	Min	Typ	Max	Units
Vih	Input high voltage	—	2.0	3.3	—	V
Vil	Input low voltage	—	—	0.0	0.8	V
Isda	SDA drive current	—	—	—	4	mA
Iscl	SCL drive current	—	—	—	2	mA

Indicator Pin Specifications

These specifications apply to the REMT, LADCS, TADCS, and TRIG pins.

Symbol	Parameter	Condition	Min	Typ	Max	Units
Voh	Output high voltage	—	2.4	3.3	—	V
Vol	Output low voltage	—	—	0.0	0.4	V
Iol	Sink current	—	—	2	—	mA
Ioh	Drive current	—	—	-2	—	mA

GPIB Signal Pin Specifications

These specifications apply to the 16 GPIB signals.

Symbol	Parameter	Condition	Min	Typ	Max	Units
Voh	High-level output voltage	$I_{out} = -16\text{mA}$	2.4	3.3	6	V
Vol	Low-level output voltage	$I_{out} = 48\text{mA}$	—	0	0.5	V
Vih	High-level input voltage	—	2.0	—	—	V
Vil	Low-level input voltage	—	—	—	0.8	V
Vhyst	Hysteresis	—	0.4	—	—	V
Cin	Pin capacitance	—	—	—	50	pF

AC Specifications

PCI4882 Mode AC Specifications

Symbol	Parameter	Condition	Min	Typ	Max	Units
PCI_CLK	PCI clock*	—	0	33	33	MHz
EXT_CLK	GPIB clock	—	PCI_CLK	40	40	MHz

* Must comply with PCI Specification.

GEN4882 Mode AC Specifications

Symbol	Parameter	Condition	Min	Typ	Max	Units
CLK	GPIB clock*	—	—	40	40	MHz

* Must be 40MHz for maximum transfer rates.

GPIB Message Processing Time

Parameter	Condition	Min	Typ	Max	Units
DAV# to TRIG for GET message	—	—	6	—	GPIB circuitry clock periods
SRQ# to INTA# for SRQ# message	—	—	3	—	GPIB circuitry clock periods
IDY to PPRn	—	—	2	—	GPIB circuitry clock periods

Serial ROM Interface Specifications

Parameter	Condition	Min	Typ	Max	Units
Serial ROM Clock (PCI_CLK/504,000)	PCI_CLK = 33MHz	—	65.5	—	kHz
RST# unasserted to Autoload complete	PCI_CLK = 33MHz	—	1.6	—	ms

PCI Timing Specifications (PCI4882 Mode)

These specifications apply to REQ#, GNT#, AD, C/BE#, PAR, PERR#, SERR#, FRAME#, IRDY#, TRDY#, DEVSEL#, STOP#, and IDSEL.

Symbol	Parameter	Min	Typ	Max	Units
Tval	PCI_CLK to Signal Valid (bused signals)	2	—	11	ns
Tval(ptp)	PCI_CLK to Signal Valid (point-to-point signals)	2	—	12	ns
Ton	Float to active delay	2	—	—	ns
Toff	Active to float delay	—	—	28	ns
Tsu	Input setup time to PCI_CLK (bused signals)	7	—	—	ns
Tsu	Input setup time to PCI_CLK (GNT#)	10	—	—	ns
Th	Input signal hold time from PCI_CLK	0	—	—	ns
Trst-off	Reset active to Output Float	—	—	40	ns

Generic Interface Timing Specifications (GEN4882 Mode)

These specifications apply to IOA, IOD, IOWR, IORD, INT, HWORD#, DACK#, DRQ, and CS#.

Symbol	Parameter	Min	Typ	Max	Units
Tval	Clock to Signal Valid	2	—	11	ns
Tsu	Input setup time to clock	7	—	—	ns
Th	Input signal hold time from clock	0	—	—	ns
Ton	Float to active delay	2	—	—	ns
Toff	Active to float delay	—	—	28	ns
Trst-off	Reset active to Output Float	—	—	40	ns

Thermal Specifications

144 QFP

Symbol	Parameter	Condition	Max	Units
T_j^1	Junction Temperature	—	86	°C
Ψ_{jt}	Thermal Characterization Junction to Top of Case	—	2.4	°C/W
θ_{ja}	Thermal Resistance from Junction to Ambient	0 m/s	26	°C/W
θ_{jma}	Thermal Resistance from Junction to Ambient	1 m/s	23	°C/W
θ_{jma}	Thermal Resistance from Junction to Ambient	2 m/s	21	°C/W
¹ Junction temperature, T_j , at rated ambient $T_a = 70^\circ\text{C}$.				

Interface Timing Specifications (GEN4882 Mode)

Register Reads (GEN4882 Mode Only)

This interface uses simple synchronizers that use two flip-flops in series and are clocked from CLK. IORD#, CS#, and HWORD# are synchronized to CLK while IOA and IOD are not. As long as the above timing specifications are met, none of the signals need to be synchronous to CLK. The output enable signal for IOD is the logical OR of the CS# and IORD# pins.

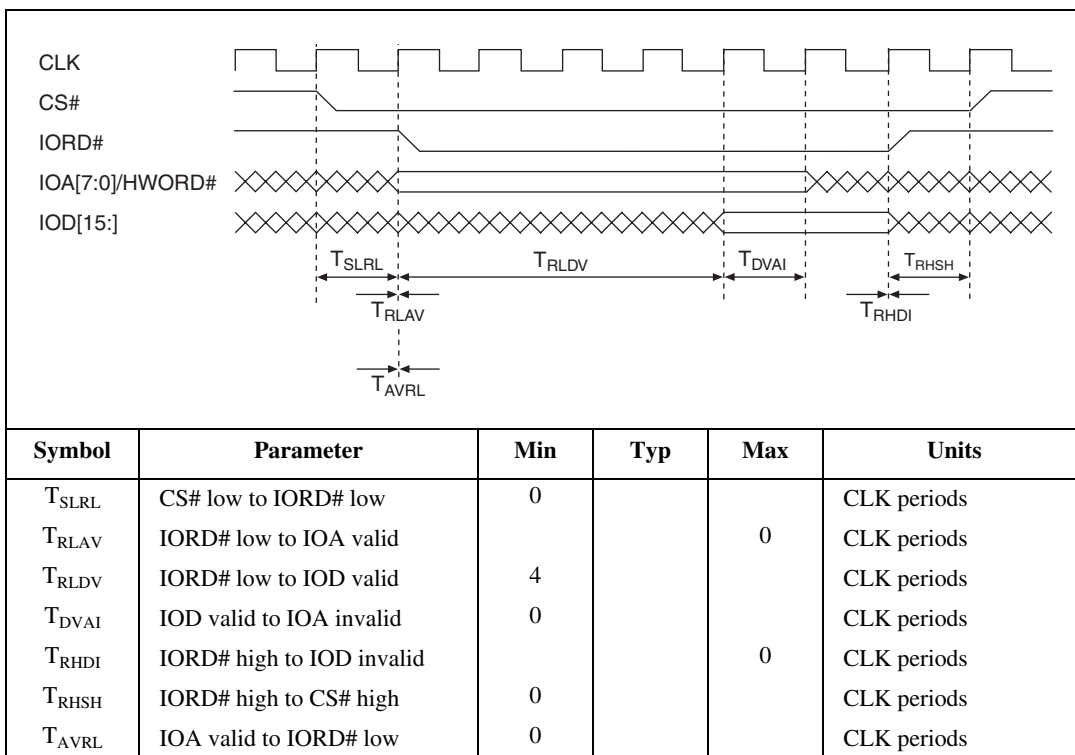


Figure A-1. Register Read Timing Diagram

Register Writes (GEN4882 Mode Only)

This interface uses simple synchronizers that use two flip-flops in series and are clocked from CLK. IOWT#, CS#, and HWORD# are synchronized to CLK while IOA and IOD are not. Data is stored on the next rising clock edge after the synchronized IOWT# and CS# signals have been asserted. As long as the above timing specifications are met, none of the signals need be synchronous to CLK.

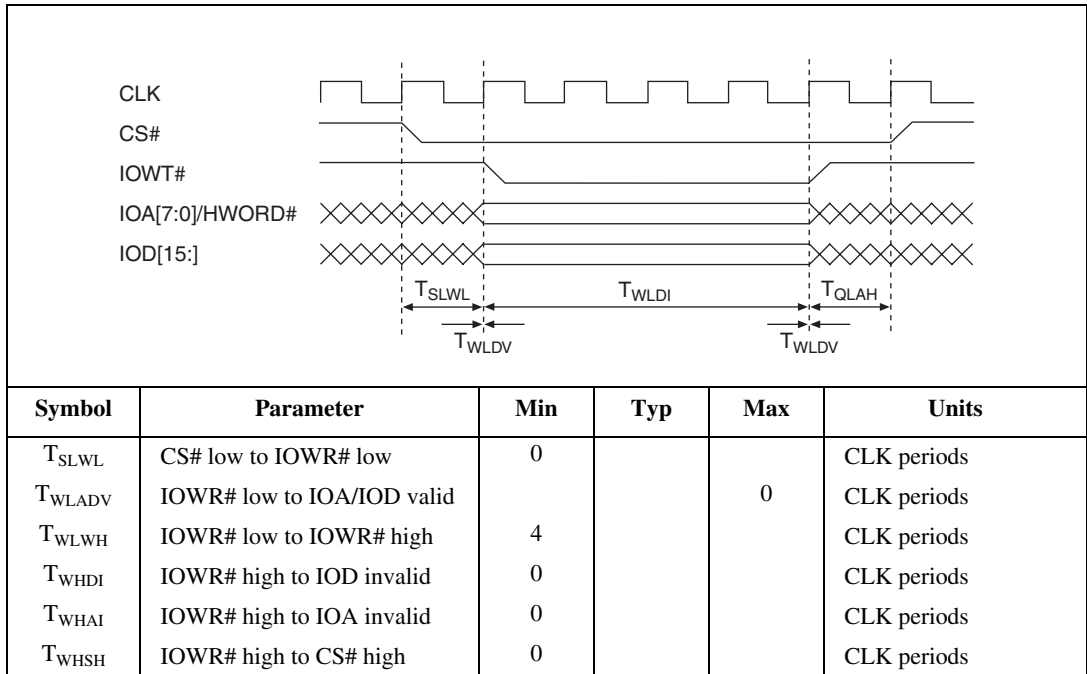


Figure A-2. Register Write Timing Diagram

DMA Reads (GEN4882 Mode Only)

This interface uses simple synchronizers that use two flip-flops in series and are clocked from CLK. IORD# and DACK# are synchronized to CLK while IOA and IOD are not. As long as the above timing specifications are met, none of the signals need be synchronous to CLK.

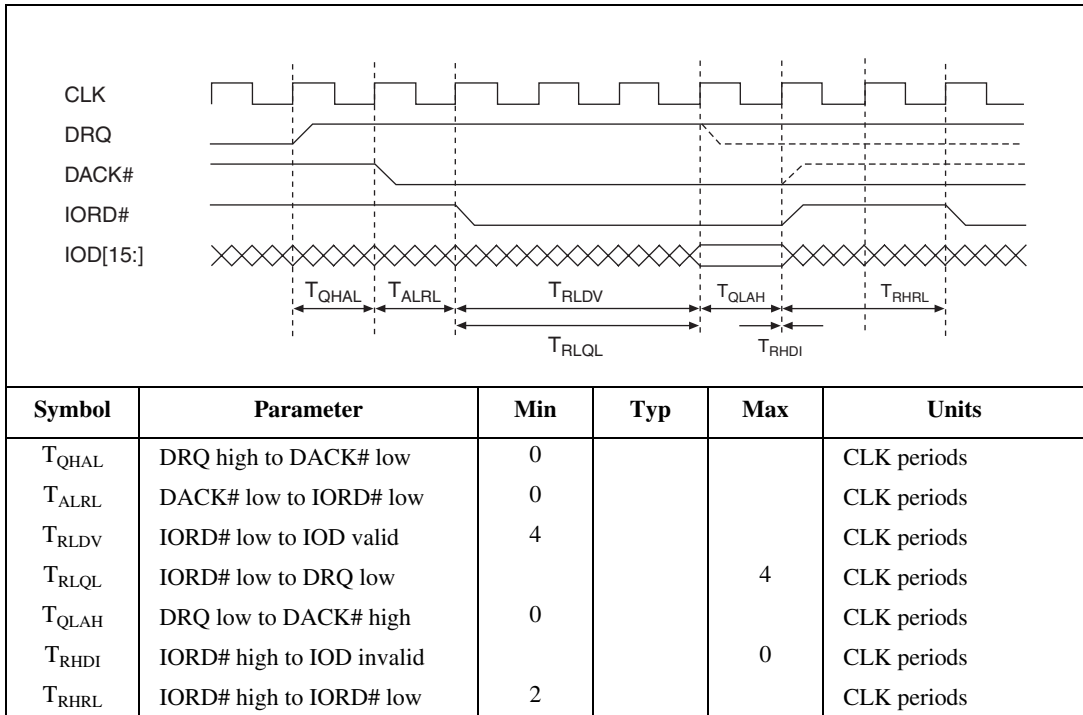


Figure A-3. DMA Read Timing Diagram

To read multiple words, DACK# may remain asserted during multiple assertions/unassertions of IORD#. IORD# must unassert after each word.

When the last word is read from the GFIFO, DRQ will unassert within four clock cycles of IORD# asserting.

DMA Writes (GEN4882 Mode Only)

This interface uses simple synchronizers that use two flip-flops in series and are clocked from CLK. IOWT# and DACK# are synchronized to CLK while IOA and IOD are not. As long as the above timing specifications are met, none of the signals need be synchronous to CLK.

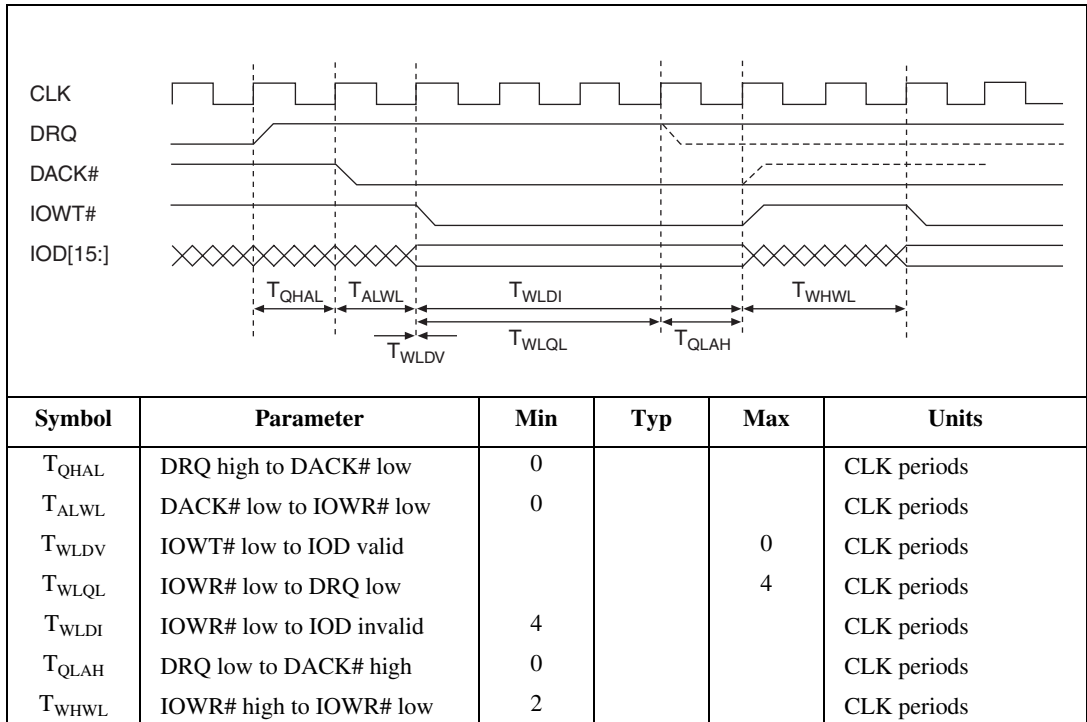


Figure A-4. DMA Write Timing Diagram

To write multiple words, DACK# may remain asserted during multiple assertions/unassertions of IOWT#. IOWT# must unassert after each word.

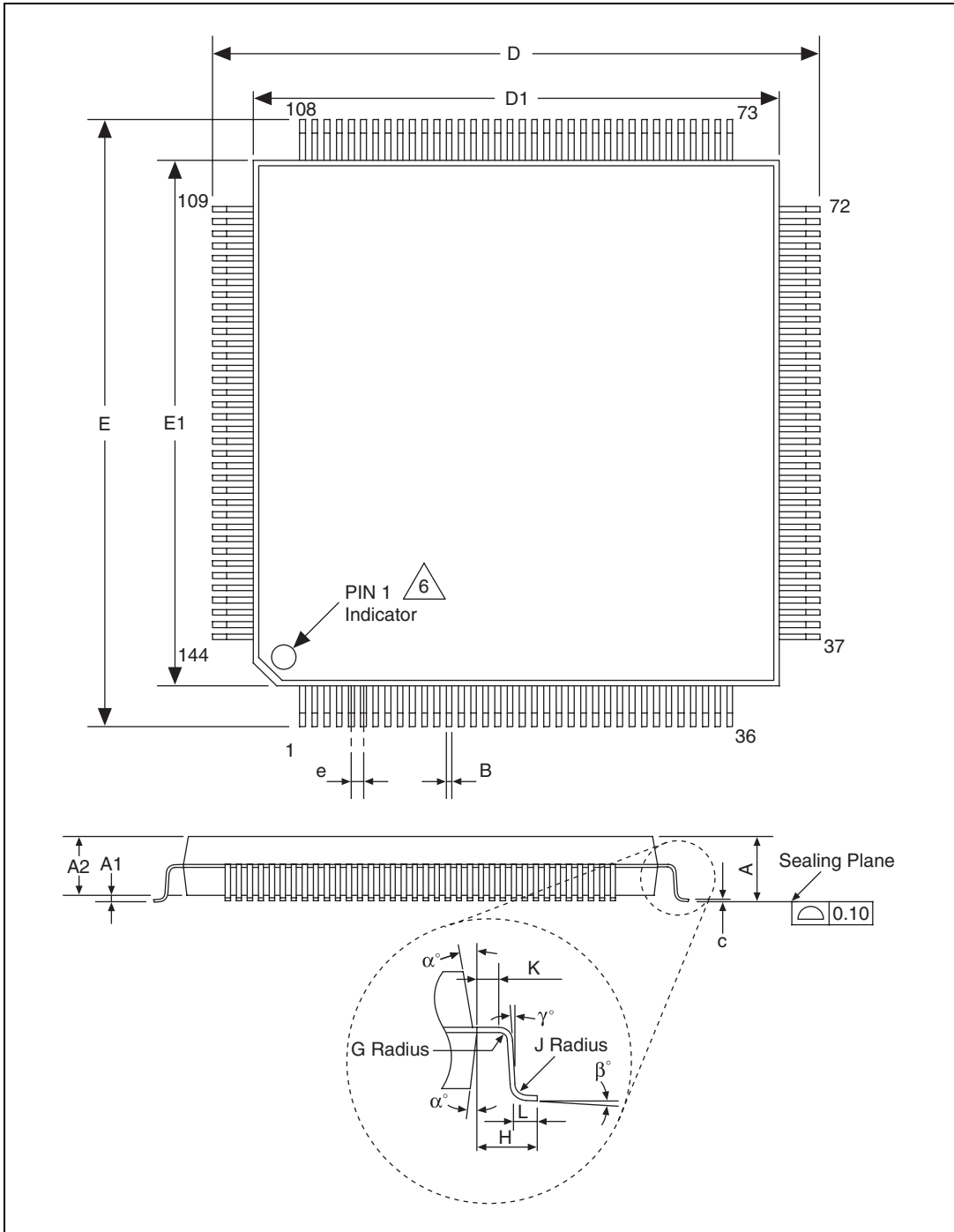
When a word is written to the GFIFO that causes the GFIFO to become full, DRQ will unassert within four clock cycles of IOWT# asserting.

Mechanical Information

Packaging

The TNT5002 is implemented in a standard 144-pin plastic quad flat pack (PQFP) package and a 256-ball plastic fine-pitch ball grid array (FPBGA).

QFP Package



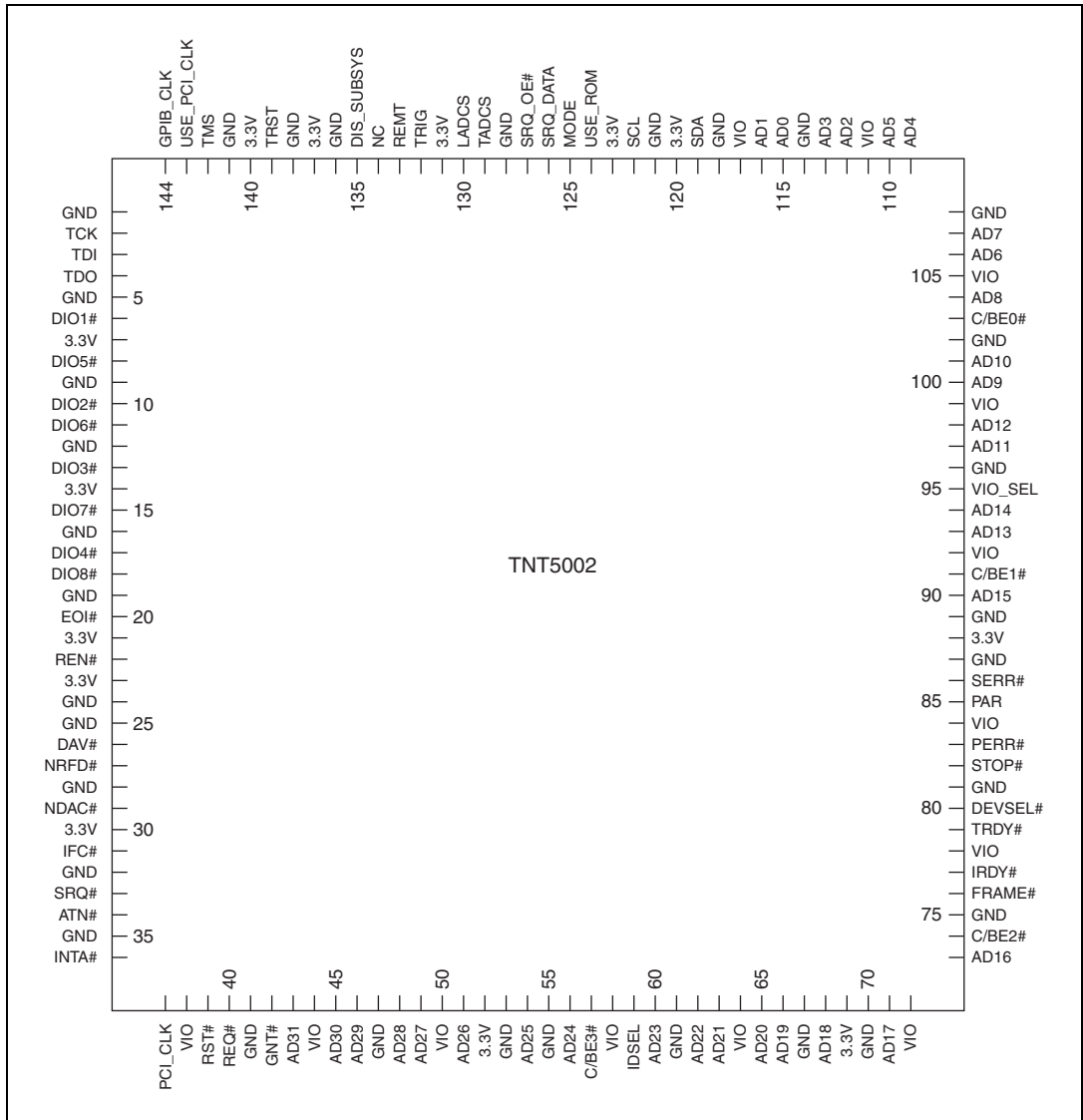
Symbol	Dimension	Min	Nom	Max
A	Package overall height ¹	3.5 mm	3.7 mm	4.07 mm
A1	Package standoff height	0.13 mm	0.29 mm	0.43 mm
A2	Package thickness	3.17 mm	3.41 mm	3.67 mm
D	Package overall width	31.90 BSC ² mm		
D1	Package width	28.00 BSC ² mm		
E	Package overall length	31.90 BSC ² mm		
E1	Package length	28.00 BSC ² mm		
L	Foot length	0.63 mm	0.84 mm	1.03 mm
e	Lead pitch	0.65 BSC ²		
B	Lead width	0.22 mm	—	0.38 mm
c	Lead thickness	0.10 mm	0.15 mm	0.23 mm
α	—	8 degrees	—	16 degrees
β	—	0 degrees	—	7 degrees
γ	—	0 degrees	—	10 degrees
G	Foot radius	0.08 degrees	0.23 degrees	—
H	Lead length ¹	1.95 REF mm		
J	Ankle radius	0.20 degrees	0.30 degrees	0.50 degrees
K	Foot length	0.20 mm	—	—
2H ³	—	3.9 mm		
<p>¹ The value for this measurement is for reference only.</p> <p>² ANSI Y14.5M-1982, <i>American National Standard Dimensioning and Tolerancing</i>, Section 1.3.2, defines Basic Dimension (BSC) as: A numerical value used to describe the theoretically exact size, profile, orientation, or location of a feature or datum target. It is the basis from which permissible variations are established by tolerances on other dimensions, in notes, or in feature control frames.</p> <p>³ The consistency within each option is the “Footprint” dimension, “2H.” This is the dimension of the feature calculated by subtracting the package body dimension “D1,” from the lead tip-to-tip dimension “D.”</p>				

Pinouts

The pinout on the TNT5002 depends on the mode as selected by MODE pin. When this pin is asserted or not connected, the TNT5002 is in PCI mode. When MODE is deasserted, the TNT5002 is in GEN mode. Refer to Chapter 1, [Architectural Overview](#), for a description of each mode.

PCI4882 Mode Pinout

PCI4882 Pinout



PCI4882 Mode

Name	Pin
3.3V	7, 14, 21, 23, 30, 52, 69, 88, 120, 123, 131, 137, 140
AD0	115
AD1	116
AD2	112
AD3	113
AD4	109
AD5	110
AD6	106
AD7	107
AD8	104
AD9	100
AD10	101
AD11	97
AD12	98
AD13	93
AD14	94
AD15	90
AD16	73
AD17	71
AD18	68
AD19	66
AD20	65
AD21	63
AD22	62
AD23	60
AD24	56
AD25	54
AD26	51
AD27	49
AD28	48

Name	Pin
AD29	46
AD30	45
AD31	43
ATN#	34
C/BE#0	103
C/BE#1	91
C/BE#2	74
C/BE#3	57
DAV#	26
DEVSEL#	80
DIO1#	6
DIO2#	10
DIO3#	13
DIO4#	17
DIO5#	8
DIO6#	11
DIO7#	15
DIO8#	18
DIS_SUBSYS	135
EOI#	20
FRAME#	76
GND	1, 5, 9, 12, 16, 19, 24, 25, 28, 32, 35, 41, 47, 53, 55, 61, 67, 70, 75, 81, 87, 89, 96, 102, 108, 114, 118, 121, 128, 136, 138, 141
GNT#	42
EXT_CLK	144
IDSEL	59
IFC#	31
INTA#	36
IRDY#	77
LADCS	130
MODE	125
NDAC#	29

Name	Pin
NRFD#	27
PAR	85
PCI_CLK	37
PERR#	83
REMT	133
REN#	22
REQ#	40
RST#	39
SCL	122
SDA	119
SERR#	86
SRQ#	33
STOP#	82
SRQ_DATA	126
SRQ_OE#	127
TADCS	129
TCK	2
TDI	3
TDO	4
TMS	142
TRDY#	79
TRIG	132
TRST	139
USE_PCI_CLK	143
USE_SER_ROM	124
VIO	38, 44, 50, 58, 64, 72, 78, 84, 92, 99, 105, 111, 117
VIO_SEL	95
* Pins not listed are no-connects.	

GEN4882/GEN9914 Mode

Name	Pin
3.3V	7, 14, 21, 23, 30, 52, 69, 88, 120, 123, 131, 137, 140, 135
DACK#	115
HWORD#	116
CS#	112
RST#	113
INT	109
DRQ	110
IORD#	106
IOWT#	107
IOA0	104
IOA1	100
IOA2	101
IOA3	97
IOA4	98
IOA5	93
IOA6	94
IOD0	90
IOD1	73
IOD2	71
IOD3	68
IOD4	66
IOD5	65
IOD6	63
IOD7	62
IOD8	60
IOD9	56
IOD10	54
IOD11	51
IOD12	49
IOD13	48

Name	Pin
IOD14	46
IOD15	45
ATN#	34
DAV#	26
DIO1#	6
DIO2#	10
DIO3#	13
DIO4#	17
DIO5#	8
DIO6#	11
DIO7#	15
DIO8#	18
EOI#	20
GND	1, 5, 9, 12, 16, 19, 24, 25, 28, 32, 35, 41, 47, 53, 55, 59, 61, 67, 70, 75, 81, 87, 89, 96, 102, 108, 114, 118, 121, 125, 128, 136, 138, 141, 143
CLK	144
IFC#	31
LADCS	130
NDAC#	29
NRFD#	27
REMT	133
REN#	22
PWR_GOOD	39
SRQ#	33
SRQ_DATA	126
SRQ_OE#	127
TADCS	129
TCK	2
TDI	3
TDO	4
TMS	142
TRIG	132

Name	Pin
TRST	139
VIO	38, 44, 50, 58, 64, 72, 78, 84, 92, 99, 105, 111, 117, 43, 91, 74, 57, 103, 80, 76, 42, 77, 85, 37, 83, 86, 82, 79
VIO_SEL	95
* Pins not listed are no-connects.	



GPIB Remote Messages

Hex	Dec	ASCII	Msg
00	00	NUL	
01	01	SOH	GTL
02	02	STX	
03	03	ETX	
04	04	EOT	SDC
05	05	ENQ	PPC
06	06	ACK	
07	07	BEL	
08	08	BS	GET
09	09	HT	TCT
0A	10	LF	
0B	11	VT	
0C	12	FF	
0D	13	CR	
0E	14	SO	
0F	15	SI	
10	16	DLE	
11	17	DC1	LLO
12	18	DC2	
13	19	DC3	
14	20	DC4	DCL

Hex	Dec	ASCII	Msg
20	32	SP	MLA0
21	33	!	MLA1
22	34	“	MLA2
23	35	#	MLA3
24	36	\$	MLA4
25	37	%	MLA5
26	38	&	MLA6
27	39	'	MLA7
28	40	(MLA8
29	41)	MLA9
2A	42	*	MLA10
2B	43	+	MLA11
2C	44	,	MLA12
2D	45	-	MLA13
2E	46	.	MLA14
2F	47	/	MLA15
30	48	0	MLA16
31	49	1	MLA17
32	50	2	MLA18
33	51	3	MLA19
34	52	4	MLA20

Hex	Dec	ASCII	Msg
15	21	NAK	PPU
16	22	SYN	
17	23	ETB	
18	24	CAN	SPE
19	25	EM	SPD
1A	26	SUB	
1B	27	ESC	
1C	28	FS	
1D	29	GS	
1E	30	RS	
1F	31	US	
40	64	@	MTA0
41	65	A	MTA1
42	66	B	MTA2
43	67	C	MTA3
44	68	D	MTA4
45	69	E	MTA5
46	70	F	MTA6
47	71	G	MTA7
48	72	H	MTA8
49	73	I	MTA9
4A	74	J	MTA10
4B	75	K	MTA11
4C	76	L	MTA12
4D	77	M	MTA13
4E	78	N	MTA14

Hex	Dec	ASCII	Msg
35	53	5	MLA21
36	54	6	MLA22
37	55	7	MLA23
38	56	8	MLA24
39	57	9	MLA25
3A	58	:	MLA26
3B	59	;	MLA27
3C	60	<	MLA28
3D	61	=	MLA29
3E	62	>	MLA30
3F	63	?	UNL
60	96	`	MSA0, PPE
61	97	a	MSA1, PPE
62	98	b	MSA2, PPE
63	99	c	MSA3, PPE
64	100	d	MSA4, PPE
65	101	e	MSA5, PPE
66	102	f	MSA6, PPE
67	103	g	MSA7, PPE
68	104	h	MSA8, PPE
69	105	i	MSA9, PPE
6A	106	j	MSA10, PPE
6B	107	k	MSA11, PPE
6C	108	l	MSA12, PPE
6D	109	m	MSA13, PPE
6E	110	n	MSA14, PPE

Hex	Dec	ASCII	Msg
4F	79	O	MTA15
50	80	P	MTA16
51	81	Q	MTA17
52	82	R	MTA18
53	83	S	MTA19
54	84	T	MTA20
55	85	U	MTA21
56	86	V	MTA22
57	87	W	MTA23
58	88	X	MTA24
59	89	Y	MTA25
5A	90	Z	MTA26
5B	91	[MTA27
5C	92	\	MTA28
5D	93]	MTA29
5E	94	^	MTA30
5F	95	_	UNT

Hex	Dec	ASCII	Msg
6F	111	o	MSA15, PPE
70	112	p	MSA16, PPD
71	113	q	MSA17, PPD
72	114	r	MSA18, PPD
73	115	s	MSA19, PPD
74	116	t	MSA20, PPD
75	117	u	MSA21, PPD
76	118	v	MSA22, PPD
77	119	w	MSA23, PPD
78	120	x	MSA24, PPD
79	121	y	MSA25, PPD
7A	122	z	MSA26, PPD
7B	123	{	MSA27, PPD
7C	124		MSA28, PPD
7D	125	}	MSA29, PPD
7E	126	~	MSA30, PPD
7F	127	DEL	

DCL Device Clear
GET Group Execute Trigger
GTL Go To Local
LLO Local Lockout
MLA My Listen Address
MSA My Secondary Address

MTA My Talk Address
PPC Parallel Poll Configure
PPD Parallel Poll Disable
PPE Parallel Poll Enable
PPU Parallel Poll Unconfigure
SDC Selected Device Clear

SPD Serial Poll Disable
SPE Serial Poll Enable
TCT Take Control
UNL Unlisten
UNT Untalk

Technical Support and Professional Services

Visit the following sections of the National Instruments Web site at ni.com for technical support and professional services:

- **Support**—Online technical support resources at ni.com/support include the following:
 - **Self-Help Resources**—For immediate answers and solutions, visit the award-winning National Instruments Web site for software drivers and updates, a searchable KnowledgeBase, product manuals, step-by-step troubleshooting wizards, thousands of example programs, tutorials, application notes, instrument drivers, and so on.
 - **Free Technical Support**—All registered users receive free Basic Service, which includes access to hundreds of Application Engineers worldwide in the NI Developer Exchange at ni.com/exchange. National Instruments Application Engineers make sure every question receives an answer.
- **Training and Certification**—Visit ni.com/training for self-paced training, eLearning virtual classrooms, interactive CDs, and Certification program information. You also can register for instructor-led, hands-on courses at locations around the world.
- **System Integration**—If you have time constraints, limited in-house technical resources, or other project challenges, NI Alliance Program members can help. To learn more, call your local NI office or visit ni.com/alliance.

If you searched ni.com and could not find the answers you need, contact your local office or NI corporate headquarters. Phone numbers for our worldwide offices are listed at the front of this manual. You also can visit the Worldwide Offices section of ni.com/niglobal to access the branch office Web sites, which provide up-to-date contact information, support phone numbers, email addresses, and current events.