

REALTEK

RTL8110S-32

INTEGRATED GIGABIT ETHERNET CONTROLLER (LOM)

DATASHEET

Rev. 1.8

20 June 2005

Track ID: JATR-1076-21



Realtek Semiconductor Corp.

No. 2, Industry E. Rd. IX, Science-Based Industrial Park, Hsinchu 300, Taiwan

Tel: +886-3-5780211 Fax: +886-3-5776047

www.realtek.com.tw

COPYRIGHT

©2005 Realtek Semiconductor Corp. All rights reserved. No part of this document may be reproduced, transmitted, transcribed, stored in a retrieval system, or translated into any language in any form or by any means without the written permission of Realtek Semiconductor Corp.

TRADEMARKS

Realtek is a trademark of Realtek Semiconductor Corporation. Other names mentioned in this document are trademarks/registered trademarks of their respective owners.

DISCLAIMER

Realtek provides this document “as is”, without warranty of any kind, neither expressed nor implied, including, but not limited to, the particular purpose. Realtek may make improvements and/or changes in this document or in the product described in this document at any time. This document could include technical inaccuracies or typographical errors.

USING THIS DOCUMENT

This document is intended for use by the software engineer when programming for the Realtek RTL8110S-32 controller chip. Information pertaining to the hardware design of products using these chips is contained in a separate document.

Though every effort has been made to ensure that this document is current and accurate, more information may have become available subsequent to the production of this guide. In that event, please contact your Realtek representative for additional information that may help in the development process.

REVISION HISTORY

Revision	Release Date	Summary
1.0	2003/03/20	First release.
1.1	2003/04/12	Revised pin name and pin assignments.
1.2	2003/06/24	Minor 233-pin TFBGA pin number corrections. IEEE 802.3z changed to IEEE 802.3ab in General Description.
1.3	2003/09/23	Add the voltage variation to DC characteristics.
1.4	2003/09/24	Remove “JTAG support” from the Features section. The RTL8110S does not support JTAG.
1.5	2004/01/16	EEDI/AUX and EEDO description changed in Table 3, page 7.
1.6	2004/02/26	VDD18 parameters changed in Table 12, page 21, and Table 15, page 22.
1.7	2004/08/12	Revised Pin 126 (VDD18A) description (see Table 8, page 9, Table 11, page 21, Table 12, page 21, and Table 15, page 22).
1.8	2005/06/20	Remove RTL8110S-64 support. The RTL8110S-64 is no longer available. Add part numbers for Lead Free and Green Package in Table 20, page 37.

Table of Contents

1. GENERAL DESCRIPTION	1
2. FEATURES	2
3. SYSTEM APPLICATIONS	2
4. PIN ASSIGNMENTS	3
4.1. PACKAGE IDENTIFICATION	3
5. PIN DESCRIPTIONS	4
5.1. POWER MANAGEMENT/ISOLATION.....	4
5.2. PCI INTERFACE	5
5.3. EEPROM	7
5.4. TRANSCEIVER INTERFACE.....	7
5.5. CLOCK	8
5.6. REGULATOR & REFERENCE.....	8
5.7. LEDs	8
5.8. POWER & GROUND	9
5.9. NC (NOT CONNECTED).....	9
6. FUNCTIONAL DESCRIPTION	10
6.1. TRANSCEIVER	10
6.1.1. <i>Transmitter</i>	10
6.1.2. <i>Receiver</i>	10
6.2. MAC.....	11
6.3. NEXT PAGE	11
6.4. MII/GMII INTERFACE.....	12
6.4.1. <i>MII</i>	12
6.4.2. <i>GMII</i>	12
6.5. LEDs	12
6.5.1. <i>Link Monitor</i>	12
6.5.2. <i>RX LED</i>	13
6.5.3. <i>TX LED</i>	14
6.5.4. <i>TX/RX LED</i>	15
6.5.5. <i>LINK/ACT LED</i>	16

6.6.	EEPROM INTERFACE	17
6.7.	POWER MANAGEMENT	17
7.	CHARACTERISTICS	21
7.1.	ABSOLUTE MAXIMUM RATINGS	21
7.2.	RECOMMENDED OPERATING CONDITIONS	21
7.3.	CRYSTAL REQUIREMENTS	21
7.4.	THERMAL CHARACTERISTICS	22
7.5.	DC CHARACTERISTICS	22
7.6.	AC CHARACTERISTICS	23
7.6.1.	<i>Serial EEPROM Interface Timing</i>	23
7.7.	PCI BUS OPERATION TIMING	24
7.7.1.	<i>PCI Bus Timing Parameters</i>	24
7.7.2.	<i>PCI Clock Specification</i>	26
7.7.3.	<i>PCI Transactions</i>	27
8.	MECHANICAL DIMENSIONS	35
8.1.	128-PIN QFP MECHANICAL DIMENSIONS	35
8.2.	NOTES FOR 128-PIN QFP DIMENSIONS	36
9.	ORDERING INFORMATION	37

List of Tables

TABLE 1. POWER MANAGEMENT/ISOLATION	4
TABLE 2. PCI INTERFACE.....	5
TABLE 3. EEPROM	7
TABLE 4. TRANSCEIVER INTERFACE	7
TABLE 5. CLOCK	8
TABLE 6. REGULATOR & REFERENCE	8
TABLE 7. LEDES	8
TABLE 8. POWER & GROUND.....	9
TABLE 9. NC (NOT CONNECTED).....	9
TABLE 10. EEPROM INTERFACE	17
TABLE 11. ABSOLUTE MAXIMUM RATINGS	21
TABLE 12. RECOMMENDED OPERATING CONDITIONS	21
TABLE 13. CRYSTAL REQUIREMENTS.....	21
TABLE 14. THERMAL CHARACTERISTICS.....	22
TABLE 15. DC CHARACTERISTICS.....	22
TABLE 16. EEPROM ACCESS TIMING PARAMETERS	23
TABLE 17. PCI BUS TIMING PARAMETERS	24
TABLE 18. MEASUREMENT CONDITION PARAMETERS.....	25
TABLE 19. CLOCK AND RESET SPECIFICATIONS	26
TABLE 20. ORDERING INFORMATION	37

List of Figures

FIGURE 1. PIN ASSIGNMENTS	3
FIGURE 2. RX LED	13
FIGURE 3. TX LED	14
FIGURE 4. TX/RX LED.....	15
FIGURE 5. LINK/ACT LED	16
FIGURE 6. SERIAL EEPROM INTERFACE TIMING	23
FIGURE 7. OUTPUT TIMING MEASUREMENT CONDITIONS	25
FIGURE 8. INPUT TIMING MEASUREMENT CONDITIONS	25
FIGURE 9. 3.3V CLOCK WAVEFORM	26
FIGURE 10. CLOCK SKEW DIAGRAM	26
FIGURE 11. I/O READ	27
FIGURE 12. I/O WRITE.....	27
FIGURE 13. CONFIGURATION READ	28
FIGURE 14. CONFIGURATION WRITE	29
FIGURE 15. BUS ARBITRATION	29
FIGURE 16. MEMORY READ BELOW 4GB (32-BIT ADDRESS, 32-BIT DATA)	30
FIGURE 17. MEMORY WRITE BELOW 4GB (32-BIT ADDRESS, 32-BIT DATA).....	31
FIGURE 18. TARGET INITIATED TERMINATION - DISCONNECT.....	31
FIGURE 19. TARGET INITIATED TERMINATION - ABORT	32
FIGURE 20. MASTER INITIATED TERMINATION - ABORT	32
FIGURE 21. PARITY OPERATION – ONE EXAMPLE	33
FIGURE 22. MEMORY READ ABOVE 4GB (DAC, 64-BIT ADDRESS, 32-BIT DATA)	34
FIGURE 23. MEMORY WRITE ABOVE 4GB (DAC, 64-BIT ADDRESS, 32-BIT DATA).....	34

1. General Description

The Realtek RTL8110S-32 LOM Ethernet controller combines a triple-speed IEEE 802.3 compliant Media Access Controller (MAC) with a triple-speed Ethernet transceiver, 32-bit PCI bus controller, and embedded memory. With state-of-the-art DSP technology and mixed-mode signal technology, it offers high-speed transmission over CAT 5 UTP or CAT 3 UTP (10Mbps only) cable. Functions such as Crossover Detection & Auto-Correction, polarity correction, adaptive equalization, cross-talk cancellation, echo cancellation, timing recovery, and error correction are implemented to provide robust transmission and reception capability at high speeds.

The device supports the PCI v2.2 bus interface for host communications with power management, and is compliant with the IEEE 802.3 specification for 10/100Mbps Ethernet and the IEEE 802.3ab specification for 1000Mbps Ethernet. It also supports an auxiliary power auto-detect function, and will auto-configure related bits of the PCI power management registers in PCI configuration space.

To achieve the most efficient power management possible, Advanced Configuration and Power Interface (ACPI) power management support is provided for modern operating systems that are capable of Operating System directed Power Management (OSPM).

In addition to the ACPI feature, the RTL8110S-32 supports remote wake-up (including AMD Magic Packet, Re-LinkOk, and Microsoft[®] Wake-up frame) in both ACPI and APM (Advanced Power Management) environments. The LWAKE pin provides four different output signals including active high, active low, positive pulse, and negative pulse. The versatility of the LWAKE pin provides motherboards with Wake-On-LAN (WOL) functionality. To support WOL from a deep power down state (e.g. D3cold, i.e. main power is off and only auxiliary exists), the auxiliary power source must be able to provide the needed power for the RTL8110S-32.

The RTL8110S is fully compliant with Microsoft[®] NDIS5 (IP, TCP, UDP) Checksum and Segmentation Task-offload features, and supports IEEE 802.1Q Virtual bridged Local Area Network (VLAN). The above features contribute to lowering CPU utilization, especially benefiting performance when in operation on a server network server. Also, the devices boost their PCI performance by supporting PCI Memory Read Line & Memory Read Multiple when transmitting, and Memory Write and Invalidate when receiving. To better qualify for server use, the RTL8110S-32 supports the PCI Dual Address Cycle (DAC) command when the assigned buffers reside at a physical memory address higher than 4 Gigabytes.

2. Features

- Integrated 10/100/1000 transceiver
- Auto-Negotiation with Next page capability
- Supports PCI 2.2, 32-bit, 33/66MHz
- Supports pair swap/polarity/skew correction
- Crossover Detection & Auto-Correction
- Wake-on-LAN and remote wake-up support
- Microsoft® NDIS5 Checksum Offload (IP, TCP, UDP) and largesend offload support
- Supports Full Duplex flow control (IEEE 802.3x)
- Fully compliant with IEEE 802.3, IEEE 802.3u, IEEE 802.3ab
- Supports IEEE 802.1Q VLAN tagging
- Serial EEPROM
- 3.3V signaling, 5V PCI I/O tolerant
- Transmit/Receive FIFO (8K/64K) support
- Supports power down/link down power saving
- 128-pin QFP

3. System Applications

- Gigabit Ethernet on Motherboard

4. Pin Assignments

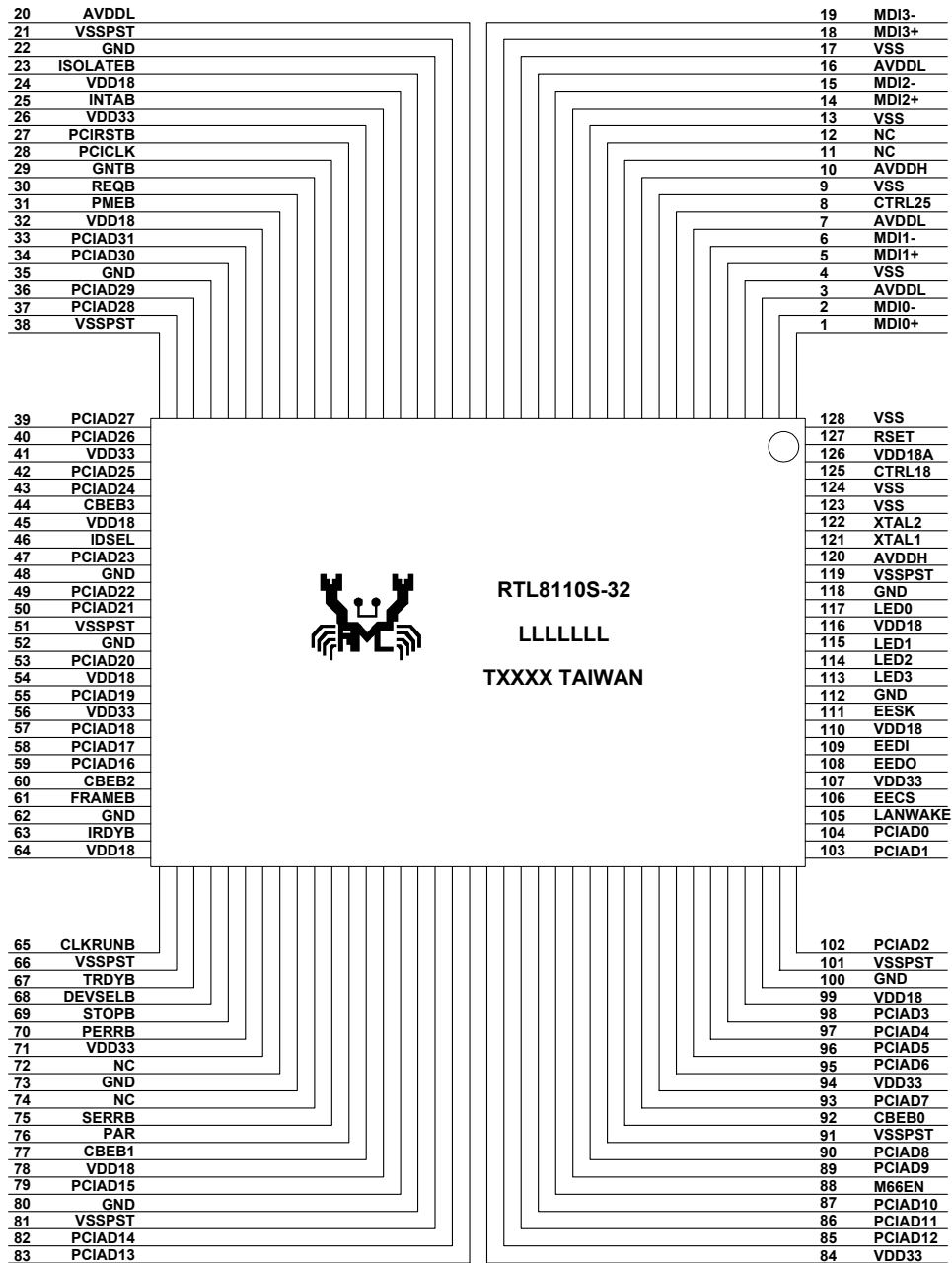


Figure 1. Pin Assignments

4.1. Package Identification

Lead (Pb)-free package is indicated by an 'L' in the location marked 'T' in Figure 1.

Green package is indicated by a 'G' in the location marked 'T' in Figure 1.

5. Pin Descriptions

The following signal type codes are used in the following tables:

I: Input.

O: Output

T/S: Tri-State bi-directional input/output pin.

S/T/S: Sustained Tri-State.

O/D: Open Drain.

5.1. Power Management/Isolation

Table 1. Power Management/Isolation

Symbol	Type	Pin No (128QFP)	Description													
PMEB (PME#)	O/D	31	Power Management Event: Open drain, active low. Used to request a change in the current power management state and/or to indicate that a power management event has occurred.													
ISOLATEB (ISOLATE#)	I	23	Isolate Pin: Active low. Used to isolate the RTL8110S from the PCI bus. The RTL8110S will not drive its PCI outputs (excluding PME#) and will not sample its PCI input (including PCIRSTB and PCICLK) as long as the Isolate pin is asserted.													
LANWAKE	O	105	<p>LAN WAKE-UP Signal (When CardB_En=0, bit2 Config3). This signal is used to inform the motherboard to execute the wake-up process. The motherboard must support Wake-On-LAN (WOL). There are 4 choices of output that may be asserted from the LANWAKE pin (active high, active low, positive pulse, and negative pulse). We can configure the LANWAKE output via two CONFIG bits: LWACT(Config1.4) and LWPTN(Config4.2).</p> <table border="1" data-bbox="651 1361 1342 1509"> <thead> <tr> <th colspan="2" rowspan="2">LWAKE Output</th> <th colspan="2">LWACT</th> </tr> <tr> <th>0</th> <th>1</th> </tr> </thead> <tbody> <tr> <th rowspan="2">LWPTN</th> <th>0</th> <td>Active high</td> <td>Active low</td> </tr> <tr> <th>1</th> <td>Positive pulse</td> <td>Negative pulse</td> </tr> </tbody> </table> <p>The default output is an active high signal. Once a PME event is received, the LANWAKE and PME# assert at the same time if the LWPME (bit4, CONFIG4) is set to 0. If the LWPME is set to 1, the LANWAKE asserts only when PME# asserts and ISOLATEB is low.</p>	LWAKE Output		LWACT		0	1	LWPTN	0	Active high	Active low	1	Positive pulse	Negative pulse
LWAKE Output		LWACT														
		0	1													
LWPTN	0	Active high	Active low													
	1	Positive pulse	Negative pulse													

5.2. PCI Interface

Table 2. PCI Interface

Symbol	Type	Pin No. (128QFP)	Description
PCIADPIN31-0	T/S	33, 34, 36, 37, 39, 40, 42, 43, 47, 49, 50, 53, 55, 57, 58, 59, 79, 82, 83, 85, 86, 87, 89, 90, 93, 95, 96, 97, 98, 102, 103, 104	AD31-0: 32-bit PCI address and data multiplexed pins. The address phase is the first clock cycle in which FRAMEB is asserted. During the address phase, AD31-0 contains a physical address (32 bits). For I/O, this is a byte address, and for configuration and memory, it is a double-word address. The RTL8110S supports both big-endian and little-endian byte ordering. Write data is stable and valid when IRDYB is asserted. Read data is stable and valid when TRDYB is asserted. Data I is transferred during those clocks where both IRDYB and TRDYB are asserted.
CBEBPIN3-0	T/S	44, 60, 77, 92	PCI bus command and byte enables multiplexed pins. During the address phase of a transaction, CBEBPIN3-0 defines the bus command. During the data phase, CBEBPIN3-0 are used as Byte Enables. The Byte Enables are valid for the entire data phase and determine which byte lanes carry meaningful data. CBEBPIN0 applies to byte 0, and CBEBPIN3 applies to byte 3.
PCICLK	I	28	PCI Clock. This clock input provides timing for all PCI transactions and is input to the PCI device. Supports up to a 66MHz PCI clock.
CLKRUNB	I/O	65	Clock Run. This signal is used by the RTL8110S to request starting (or speeding up) of the PCICLK clock. CLKRUNB also indicates the clock status. For the RTL8110S, CLKRUNB is an open drain output as well as an input. The RTL8110S requests the central resource to start, speed up, or maintain the interface clock by the assertion of CLKRUNB. For the host system, it is an S/T/S signal. The host system (central resource) is responsible for maintaining CLKRUNB asserted, and for driving it high to the negated (deasserted) state.
DEVSELB	S/T/S	68	Device Select. As a bus master, the RTL8110S samples this signal to ensure that a PCI target recognizes the destination address for the data transfer. As a target, the RTL8110S asserts this signal low when it recognizes its target address after FRAMEB is asserted.
FRAMEB	S/T/S	61	Cycle Frame. As a bus master, this pin indicates the beginning and duration of an access. FRAMEB is asserted low to indicate the start of a bus transaction. While FRAMEB is asserted, data transfer continues. When FRAMEB is de-asserted, the transaction is in the final data phase. As a target, the device monitors this signal before decoding the address to check if the current transaction is addressed to it.
GNTB	I	29	Grant. This signal is asserted low to indicate to the RTL8110S that the central arbiter has granted the ownership of the bus to the RTL8110S. This input is used when the device is acting as a bus master.
REQB	T/S	30	Request. The RTL8110S will assert this signal low to request the ownership of the bus from the central arbiter.
IDSEL	I	46	Initialization Device Select. This pin allows the device to identify when configuration read/write transactions are intended for it.

Symbol	Type	Pin No. (128QFP)	Description
INTAB	O/D	25	Interrupt A. Used to request an interrupt. It is asserted low when an interrupt condition occurs, as defined by the Interrupt Status, Interrupt Mask.
IRDYB	S/T/S	63	Initiator Ready. This indicates the initiating agent's ability to complete the current data phase of the transaction. As a bus master, this signal will be asserted low when the device is ready to complete the current data phase transaction. This signal is used in conjunction with the TRDYB signal. Data transaction takes place at the rising edge of CLK when both IRDYB and TRDYB are asserted low. As a target, this signal indicates that the master has put data on the bus.
TRDYB	S/T/S	67	Target Ready. This indicates the target agent's ability to complete the current phase of the transaction. As a bus master, this signal indicates that the target is ready for the data during write operations, or is ready to provide the data during read operations. As a target, this signal will be asserted low when the (slave) device is ready to complete the current data phase transaction. This signal is used in conjunction with the IRDYB signal. Data transaction takes place at the rising edge of CLK when both IRDYB and TRDYB are asserted low.
PAR	T/S	76	Parity. This signal indicates even parity across PCIADPIN31-0 and CBEB3-0 including the PAR pin. PAR is stable and valid one clock after each address phase. For data phase, PAR is stable and valid one clock after either IRDYB is asserted on a write transaction or TRDYB is asserted on a read transaction. Once PAR is valid, it remains valid until one clock after the completion of the current data phase. As a bus master, PAR is asserted during address and write data phases. As a target, PAR is asserted during read data phases.
M66EN	I	88	66MHZ_ENABLE. This pin indicates to the device whether the bus segment is operating at 66 or 33MHz. When this pin is asserted (active high), the current PCI bus segment that the device resides on operates in 66MHz mode. If this pin is de-asserted, the current PCI bus segment operates in 33MHz mode.
PERRB	S/T/S	70	Parity Error. This pin is used to report data parity errors during all PCI transactions except a Special Cycle. PERRB is driven active (low) two clocks after a data parity error is detected by the device receiving data, and the minimum duration of PERRB is one clock for each data phase with parity error detected.
SERRB	O/D	75	System Error. If an address parity error is detected and Configuration Space Status register bit 15 (detected parity error) is enabled, the device asserts the SERRB pin low and bit 14 of the Status register in Configuration Space.
STOPB	S/T/S	69	Stop. Indicates that the current target is requesting the master to stop the current transaction.
PCIRSTB	I	27	Reset. When PCIRSTB is asserted low, the device performs an internal system hardware reset. PCIRSTB must be held for a minimum period of 120 ns.

5.3. EEPROM

Table 3. EEPROM

Symbol	Type	Pin No (128QFP)	Description
EESK	O	111	Serial data clock.
EEDI/AUX	O/I	109	EEDI. Output to serial data input pin of EEPROM AUX. Input pin to detect if Aux. Power exists or not on initial power-on. This pin should be connected to EEPROM. To support wakeup from ACPI D3cold or APM power-down, this pin must be pulled high to aux. power via a resistor. If this pin is not pulled high to Aux. Power, the RTL8110S assumes that no Aux. Power exists.
EEDO	I	108	Input from serial data output pin of EEPROM.
EECS/BROM CSB	O	106	EECS. EEPROM chip select. BROMCSB. This is the chip select signal of the Boot PROM.

5.4. Transceiver Interface

Table 4. Transceiver Interface

Symbol	Type	Pin No (128QFP)	Description
MDI[0]+	I/O	1	In MDI mode, this is the first pair in 1000Base-T, i.e. the BI_DA+/- pair, and is the transmit pair in 10Base-T and 100Base-TX. In MDI crossover mode, this pair acts as the BI_DB+/- pair, and is the receive pair in 10Base-T and 100Base-TX.
MDI[0]-	I/O	2	
MDI[1]+	I/O	5	In MDI mode, this is the second pair in 1000Base-T, i.e. the BI_DB+/- pair, and is the transmit pair in 10Base-T and 100Base-TX. In MDI crossover mode, this pair acts as the BI_DA+/- pair, and is the transmit pair in 10Base-T and 100Base-TX.
MDI[1]-	I/O	6	
MDI[2]+	I/O	14	In MDI mode, this is the third pair in 1000Base-T, i.e. the BI_DC+/- pair. In MDI crossover mode, this pair acts as the BI_DD+/- pair.
MDI[2]-	I/O	15	
MDI[3]+	I/O	18	In MDI mode, this is the fourth pair in 1000Base-T, i.e. the BI_DD+/- pair. In MDI crossover mode, this pair acts as the BI_DC+/- pair.
MDI[3]-	I/O	19	

5.5. Clock

Table 5. Clock

Symbol	Type	Pin No (128QFP)	Description
Xtal1	I	121	Input of 25MHz clock reference.
Xtal2	O	122	Output of 25MHz clock reference.

5.6. Regulator & Reference

Table 6. Regulator & Reference

Symbol	Type	Pin No (128QFP)	Description
CTRL25	O	8	Regulator Control. Voltage control to external 2.5V regulator
CTRL18	O	125	Regulator Control. Voltage control to external 1.8V regulator
RSET	I	127	Reference. External Resistor Reference.

5.7. LEDs

Table 7. LEDs

Symbol	Type	Pin No (128QFP)	Description																									
LED0	O	117	<table border="1"> <thead> <tr> <th>LEDS1-0</th> <th>00</th> <th>01</th> <th>10</th> <th>11</th> </tr> </thead> <tbody> <tr> <td>LED0</td> <td>Tx/Rx</td> <td>ACT(Tx/Rx)</td> <td>Tx</td> <td>LINK10/ ACT</td> </tr> <tr> <td>LED1</td> <td>LINK1 00</td> <td>LINK10/100/ 1000</td> <td>LINK10/100/1 000</td> <td>LINK100/ ACT</td> </tr> <tr> <td>LED2</td> <td>LINK1 0</td> <td>FULL</td> <td>Rx</td> <td>FULL</td> </tr> <tr> <td>LED3</td> <td>LINK1 000</td> <td>-</td> <td>FULL</td> <td>LINK1000/ ACT</td> </tr> </tbody> </table>	LEDS1-0	00	01	10	11	LED0	Tx/Rx	ACT(Tx/Rx)	Tx	LINK10/ ACT	LED1	LINK1 00	LINK10/100/ 1000	LINK10/100/1 000	LINK100/ ACT	LED2	LINK1 0	FULL	Rx	FULL	LED3	LINK1 000	-	FULL	LINK1000/ ACT
LEDS1-0	00	01		10	11																							
LED0	Tx/Rx	ACT(Tx/Rx)		Tx	LINK10/ ACT																							
LED1	LINK1 00	LINK10/100/ 1000		LINK10/100/1 000	LINK100/ ACT																							
LED2	LINK1 0	FULL		Rx	FULL																							
LED3	LINK1 000	-	FULL	LINK1000/ ACT																								
LED1	O	115																										
LED2	O	114																										
LED3	O	113																										

Note 1: During power down mode, the LED signals are logic high.

Note 2: LEDSI-0's initial value comes from 93C46/93C56.

5.8. Power & Ground

Table 8. Power & Ground

Symbol	Type	Pin No (128QFP)	Description
VDD18A	Power	126	Analog 1.8V power supply.
VDD18	Power	24, 32, 45, 54, 64, 78, 99, 110, 116	Digital 1.8V power supply.
VDD33	Power	26, 41, 56, 71, 84, 94, 107	Digital 3.3V power supply.
GND/VSSPST	Power	21, 22, 35, 38, 48, 51, 52, 62, 66, 73, 80, 81, 91, 100, 101, 112, 118, 119	Digital Ground.
AVDDL	Power	3, 7, 16, 20	Analog 2.5V power supply.
AVDDH	Power	10, 120	Analog 3.3V power supply.
VSS	Power	4, 9, 13, 17, 123, 124, 128	Analog Ground.

5.9. NC (Not Connected)

Table 9. NC (Not Connected)

Symbol	Type	Pin No (128QFP)	Description
NC		11, 12, 72, 74	Not Connected.

6. Functional Description

6.1. Transceiver

6.1.1. Transmitter

In 10M mode, the Tx MAC retrieves packet data from the Tx Buffer Manager and sends it out through the transmitting physical layer interface. The transmit 4-bit nibbles (TXD[3:0]) clocked at 2.5Mhz (TXC), are serialized into 10Mbps serial data. Then, the 10Mbps serial data is converted into a Manchester-encoded data stream and is transmitted onto the media by the DAC converter.

In 100M mode, the transmitted 4-bit nibbles (TXD[3:0]) from the MAC, clocked at 25Mhz (TXC), are converted into 5B symbol code via 4B/5B coding technology, scrambled and serialized, before being converted to 125Mhz NRZ and NRZI signals. After that, the NRZI signal is passed to the MLT3 encoder, then to the DAC converter for transmission onto the media.

In 1000M mode, the RTL8110S's PCS layer receives data bytes from the MAC through the GMII interface and performs the generation of continuous code-groups through 4D-PAM5 coding technology. Then, those code groups are passed through a waveform shaping filter to minimize EMI effects, and are transmitted onto the 4-pair CAT5 cable at 125MBaud/s through a DAC converter.

6.1.2. Receiver

In MII (10Mbps) mode, the received differential signal is converted into a Manchester-encoded data stream. The stream is processed with a Manchester decoder, and is de-serialized into 4-bit wide nibbles. The 4-bit nibbles are presented to the MII interface at a clock speed of 2.5MHz. In 100Mbps mode, the MLT3 signal is processed with an ADC, equalizer, BLW (Baseline Wander) correction, timing recovery, MLT3 and NRZI decoder, descrambler, 4B/5B decoder, and then is presented to the MII interface in 4-bit wide nibbles at a clock speed of 25MHz.

In GMII mode, the input signal from the media first passes through the on-chip sophisticated hybrid circuit to subtract the transmitted signal from the input signal for effective reduction of near-end echo. The received signal is processed with adaptive equalization, BLW (Baseline Wander) correction, cross-talk cancellation, echo cancellation, timing recovery, error correction, and 4D-PAM5 decoding. Then, the 8-bit wide data is recovered and is sent to the GMII interface at a clock speed of 125MHz. The Rx MAC retrieves the packet data from the receive MII/GMII interface and sends it to the Rx Buffer Manager.

6.2. MAC

The RTL8110S supports new descriptor-based buffer management that significantly reduces host CPU utilization and is particularly effective in server applications. The new buffer management algorithm provides Microsoft Large-Send offload, IP checksum offload, TCP checksum offload, UDP checksum offload, and IEEE 802.1P, 802.1Q VLAN tagging capabilities. The device supports up to 1024 consecutive descriptors in memory for transmit and receive separately, which means there might be 3 descriptor rings, one a high priority transmit descriptor ring, another a normal priority transmit descriptor ring, and the other a receive descriptor ring. Each descriptor ring may consist of up to 1024 consecutive descriptors. Each descriptor consists of 4 consecutive double words. The start address of each descriptor ring should be 256-byte aligned. Software must pre-allocate enough buffers and configure all descriptor rings before transmitting and/or receiving packets. Descriptors can be chained to form a packet in both Tx and Rx. Refer to the Realtek RTL8110S Programming Guide for detailed information. Any Tx buffers pointed to by the Tx descriptors should be at least 4 bytes.

The RTL8110S will automatically pad any packets less than 64 bytes to 64-bytes long (including a 4-byte CRC) before transmitting that packet onto the network medium. If a packet consists of two or more descriptors, then the descriptors in command mode should have the same configuration, except EOR, FS, or LS bits.

6.3. Next Page

If 1000Base-T mode is advertised, three additional Next Pages are automatically exchanged between the two link partners. Users can set Reg4.15 to 1 to exchange extra Next Pages via Reg7 and Reg8 as defined in IEEE 802.3ab.

6.4. MII/GMII Interface

6.4.1. MII

The RTL8110S supports 10Mbps and 100Mbps link operation. During the operation, the PHY communicates with the MAC through the MII as defined in the IEEE 802.3 (clause 22) specifications. The MII consists of a transmit data interface (TxEN, TxER, TXD[3:0], and TxCLK), a receive data interface (RxDV, RxER, RXD[3:0], and RxCLK), two status signals (CRS and COL) and a management interface (MDC and MDIO). In this mode of operation, both Transmit and Receive clocks are supplied by the PHY.

6.4.2. GMII

In 1000Base-T mode, the GMII interface is selected, the 125MHz transmit clock is expected on GTXCLK, TXCLK sources 25MHz, 2.5MHz, or 0MHz clock depending on the operation mode, and RXCLK sources the 125MHz receive clock.

6.5. LEDs

The RTL8110S supports four LED signals in four different configurable operation modes. The modes are shown in in Table 7, page 8.

6.5.1. Link Monitor

The Link Monitor senses a link, such as LINK10, LINK100, LINK1000, LINK10/100/1000. Whenever a link is established, the specific link LED pin is driven low. Once disconnected, the link LED pin is driven high indicating that no network connection exists.

6.5.2. RX LED

In 10/100/1000Mbps mode, blinking of the Rx LED indicates that receive activity is occurring.

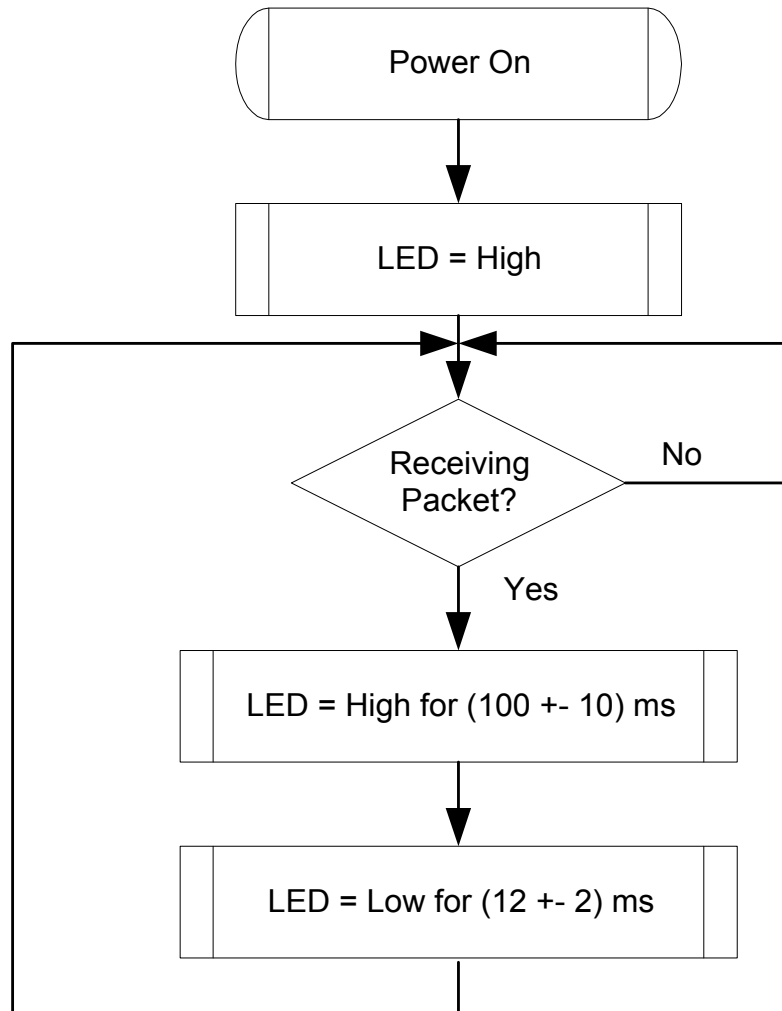


Figure 2. RX LED

6.5.3. TX LED

In 10/100/1000Mbps mode, blinking of the Tx LED indicates that transmit activity is occurring.

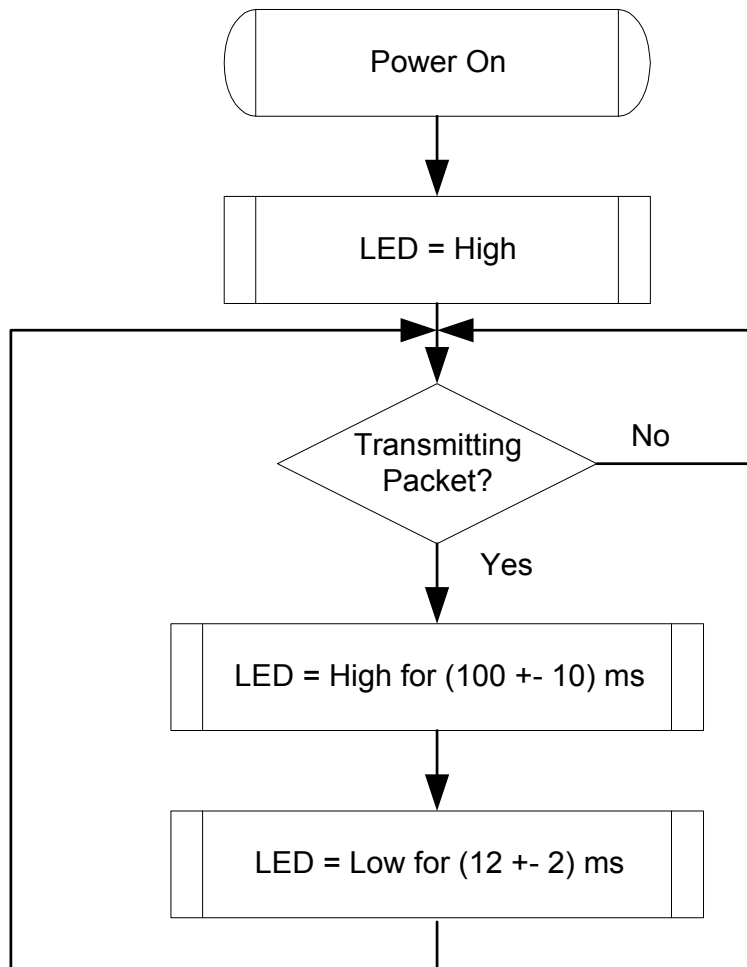


Figure 3. TX LED

6.5.4. TX/RX LED

In 10/100/1000Mbps mode, blinking of the Tx/Rx LED indicates that both transmit and receive activity is occurring.

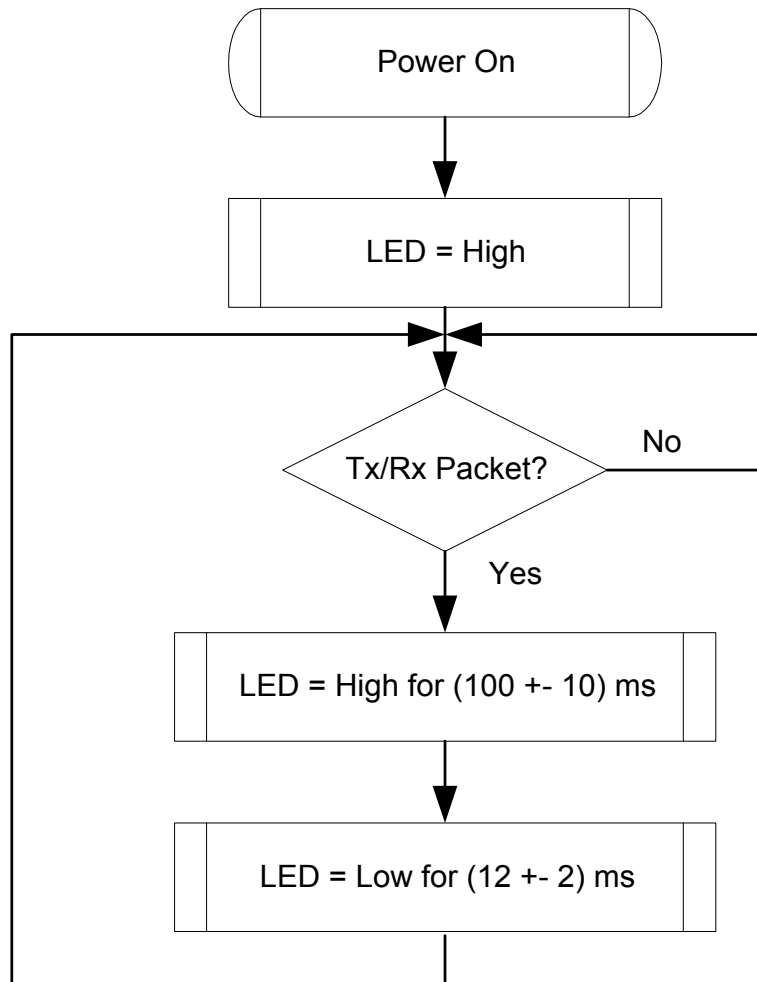


Figure 4. TX/RX LED

6.5.5. LINK/ACT LED

In 10/100/1000Mbps mode, blinking of the LINK/ACT LED indicates that the RTL8110S is linked and operating properly. When this LED is high for extended periods, it indicates that a link problem exists.

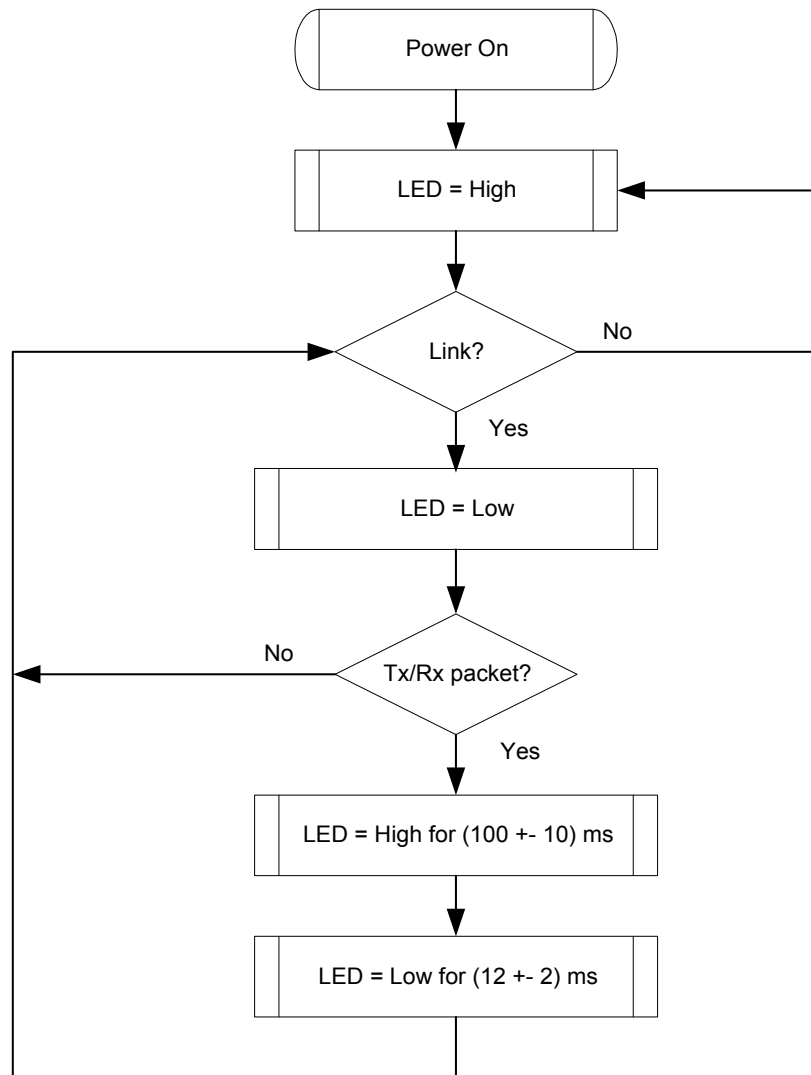


Figure 5. LINK/ACT LED

6.6. EEPROM Interface

The RTL8110S supports the attachment of an external EEPROM. The 93C46 is a 1K-bit EEPROM (the 93C56 is a 2K-bit EEPROM). The EEPROM interface provides the ability for the RTL8110S to read from and write data to an external serial EEPROM device.

Values in the external EEPROM allow default fields in PCI configuration space and I/O space to be overridden following a reboot or software EEPROM auto load command. The RTL8110S will auto load values from the EEPROM. If the EEPROM is not present, the RTL8110S initialization uses default values for the appropriate Configuration and Operational Registers. Software can read and write to the EEPROM using ‘bit-bang’ accesses via the 9346CR Register. The interface consists of EESK, EECS, EEDO, and EEDI.

Table 10. EEPROM Interface

EEPROM	Description
EECS	93C46 (93C56) chip select.
EESK	EEPROM serial data clock.
EEDI/Aux	Input data bus/Input pin to detect if Aux. Power exists or not on initial power-on. This pin should be connected to Boot PROM. To support wakeup from ACPI D3cold or APM power-down, this pin must be pulled high to aux. power via a resistor. If this pin is not pulled high to Aux. Power, the RTL8110S assumes that no Aux. Power exists.
EEDO	Output data bus.

6.7. Power Management

The RTL8110S is compliant with ACPI (Rev 1.0, 1.0b, 2.0), PCI Power Management (Rev 1.1), and Network Device Class Power Management Reference Specification (V1.0a), such as to support an OS-directed Power Management (OSPM) environment.

The RTL8110S can monitor the network for a Wakeup Frame, a Magic Packet, or a Re-LinkOk, and notify the system via PME# when such a packet or event occurs. Then, the whole system can be restored to a normal state to process incoming jobs.

When the RTL8110S is in power down mode (D1 ~ D3):

- The Rx state machine is stopped, and the RTL8110S monitors the network for wakeup events such as a Magic Packet, Wakeup Frame, and/or Re-LinkOk, in order to wake up the system. When in power down mode, the RTL8110S will not reflect the status of any incoming packets in the ISR register and will not receive any packets into the Rx FIFO buffer.
- The FIFO status and packets that have already been received into the Rx FIFO before entering power down mode are held by the RTL8110S.
- Transmission is stopped. PCI bus master mode is stopped. The Tx FIFO buffer is held.
- After restoration to a D0 state, the RTL8110S transfers data that was not moved into the Tx FIFO buffer during power down mode. Packets that were not transmitted completely last time are re-transmitted.

The D3cold_support_PME bit (bit15, PMC register) and the Aux_I_b2:0 bits (bit8:6, PMC register) in PCI configuration space

depend on the existence of Aux power (bit15, PMC) = 1.

If EEPROM D3cold_support_PME bit (bit15, PMC) = 0, the above 4 bits are all 0's.

Example:

If EEPROM D3c_support_PME = 1:

- If Aux. power exists, then PMC in PCI config space is the same as EEPROM PMC (if EEPROM PMC = C2 F7, then PCI PMC = C2 F7).
- If Aux. power is absent, then PMC in PCI config space is the same as EEPROM PMC except the above 4 bits are all 0's (if EEPROM PMC = C2 F7, the PCI PMC = 02 76).

In the above case, if wakeup support is desired when main power is off, it is suggested that the EEPROM PMC be set to C2 F7 (Realtek EEPROM default value).

If EEPROM D3c_support_PME = 0:

- If Aux. power exists, then PMC in PCI config space is the same as EEPROM PMC (if EEPROM PMC = C2 77, then PCI PMC = C2 77).
- If Aux. power is absent, then PMC in PCI config space is the same as EEPROM PMC except the above 4 bits are all 0's (if EEPROM PMC = C2 77, then PCI PMC = 02 76).

In the above case, if wakeup support is not desired when main power is off, it is suggested that the EEPROM PMC be set to 02 76.

Link Wakeup occurs only when the following conditions are met:

- The LinkUp bit (CONFIG3#4) is set to 1, the PMEn bit (CONFIG1#0) is set to 1, and the PME# can be asserted in the current power state.
- The Link status is re-established.

Magic Packet Wakeup occurs only when the following conditions are met:

- The destination address of the received Magic Packet is acceptable to the RTL8110S, e.g. a broadcast, multicast, or unicast packet addressed to the current RTL8110S adapter.
- The received Magic Packet does not contain a CRC error.
- The Magic bit (CONFIG3#5) is set to 1, the PMEn bit (CONFIG1#0) is set to 1, and the PME# can be asserted in the current power state.
- The Magic Packet pattern matches, i.e. $6 * FFh + MISC$ (can be none) + $16 * DID$ (Destination ID) in any part of a valid (Fast) Ethernet packet.

A Wakeup Frame event occurs only when the following conditions are met:

- The destination address of the received Wakeup Frame is acceptable to the RTL8110S, e.g. a broadcast, multicast, or unicast address to the current RTL8110S adapter.
- The received Wakeup Frame does not contain a CRC error.
- The PMEn bit (CONFIG1#0) is set to 1.
- The 16-bit CRC* of the received Wakeup Frame matches with the 16-bit CRC* of the sample Wakeup Frame pattern given by the local machine's OS. Or, the RTL8110S is configured to allow direct packet wakeup, e.g. a broadcast, multicast, or unicast network packet.

*16-bit CRC: The RTL8110S supports two normal wakeup frames (covering 64 mask bytes from offset 0 to 63 of any incoming network packet) and three long wakeup frames (covering 128 mask bytes from offset 0 to 127 of any incoming network packet).

The PME# signal is asserted only when the following conditions are met:

- The PMEn bit (bit0, CONFIG1) is set to 1.
- The PME_En bit (bit8, PMCSR) in PCI Configuration Space is set to 1.
- The RTL8110S may assert PME# in the current power state or in isolation state, depending on the PME_Support (bit15-11) setting of the PMC register in PCI Configuration Space.
- A Magic Packet, LinkUp, or Wakeup Frame has been received.
- Writing a 1 to the PME_Status (bit15) of the PMCSR register in the PCI Configuration Space clears this bit and causes the RTL8110S to stop asserting a PME# (if enabled).

When the device is in power down mode, e.g. D1-D3, the IO, MEM, and Boot ROM spaces are all disabled. After a RST# assertion, the device's power state is restored to D0 automatically if the original power state was D3_{cold}. There is no hardware delay at the device's power state transition. When in ACPI mode, the device does not support PME (Power Management Enable) from D0 (this is the Realtek default setting of the PMC register auto loaded from EEPROM). The setting may be changed from the EEPROM, if required). The RTL8110S also supports the legacy LAN WAKE-UP function. The LWAKE pin is used to notify legacy motherboards to execute the wake-up process whenever the device receives a wakeup event, such as a Magic Packet.

The LWAKE signal is asserted according to the following settings:

1. LWPME bit (bit4, CONFIG4):
 - LWAKE can only be asserted when PMEB is asserted and ISOLATEB is low.
 - LWAKE is asserted whenever a wakeup event occurs.
2. Bit1 of DELAY byte (offset 1Fh, EEPROM):
 - LWAKE signal is enabled.
 - LWAKE signal is disabled.

7. Characteristics

7.1. Absolute Maximum Ratings

WARNING: Absolute maximum ratings are limits beyond which permanent damage may be caused to the device, or device reliability will be affected. All voltages are specified reference to GND unless otherwise specified.

Table 11. Absolute Maximum Ratings

Description/Symbol	Minimum	Maximum	Unit
Supply Voltage (VDD33, AVDDH)	-0.5	4	V
Supply Voltage (VDD25)	-0.5	3	V
Supply Voltage (VDD18, VDD18A)	-0.5	2	V
Input Voltage (DCinput)	-0.5	VDD33 + 0.5	V
Output Voltage (DCoutput)	-0.5	VDD33 + 0.5	V
Storage Temperature	-55	+125	°C

7.2. Recommended Operating Conditions

Table 12. Recommended Operating Conditions

Description	Pins	Minimum	Typical	Maximum	Unit
Supply Voltage VDD	VDD33, AVDDH	3.0	3.3	3.6	V
	VDD25	2.25	2.5	2.75	V
	VDD18, VDD18A	1.6	1.8	2.0	V
Ambient Temperature T _A		0		70	°C
Maximum Junction Temperature				125	°C

7.3. Crystal Requirements

Table 13. Crystal Requirements

Symbol	Description/Condition	Minimum	Typical	Maximum	Unit
F _{ref}	Parallel resonant crystal reference frequency, fundamental mode, AT-cut type.		25		MHz
F _{ref} Stability	Parallel resonant crystal frequency stability, fundamental mode, AT-cut type. T _a =25°C.	-50		+50	ppm
F _{ref} Tolerance	Parallel resonant crystal frequency tolerance, fundamental mode, AT-cut type. T _a =-20°C ~+70°C.	-30		+30	ppm

Symbol	Description/Condition	Minimum	Typical	Maximum	Unit
F_{ref} Duty Cycle	Reference clock input duty cycle.	40		60	%
C_L	Load Capacitance.			27	pF
ESR	Equivalent Series Resistance.			10	Ω
DL	Drive Level.			0.5	mW

7.4. Thermal Characteristics

Table 14. Thermal Characteristics

Parameter	Minimum	Maximum	Units
Storage Temperature	-55	+125	$^{\circ}\text{C}$
Ambient Operating Temperature	0	70	$^{\circ}\text{C}$

7.5. DC Characteristics

Table 15. DC Characteristics

Symbol	Parameter	Conditions	Minimum	Typical	Maximum	Units
VDD33	3.3V Supply Voltage		3.0	3.3	3.6	V
VDD18, VDD18A	1.8V Supply Voltage		1.6	1.8	2.0	V
VDD25	2.5V Supply Voltage		2.25	2.5	2.75	V
V_{oh}	Minimum High Level Output Voltage	$I_{oh} = -8\text{mA}$	$0.9 * V_{cc}$		V_{cc}	V
V_{ol}	Maximum Low Level Output Voltage	$I_{ol} = 8\text{mA}$			$0.1 * V_{cc}$	V
V_{ih}	Minimum High Level Input Voltage		$0.5 * V_{cc}$		$V_{cc}+0.5$	V
V_{il}	Maximum Low Level Input Voltage		-0.5		$0.3 * V_{cc}$	V
I_{in}	Input Current	$V_{in} = V_{cc}$ or GND	-1.0		1.0	μA
I_{oz}	Tri-State Output Leakage Current	$V_{out} = V_{cc}$ or GND	-10		10	μA
I_{cc33}	Average Operating Supply Current from 3.3V	At 1Gbps with heavy network traffic		170		mA
I_{cc18}	Average Operating Supply Current from 1.8V	At 1Gbps with heavy network traffic		660		mA

7.6. AC Characteristics

7.6.1. Serial EEPROM Interface Timing

93C46(64*16)/93C56(128*16)

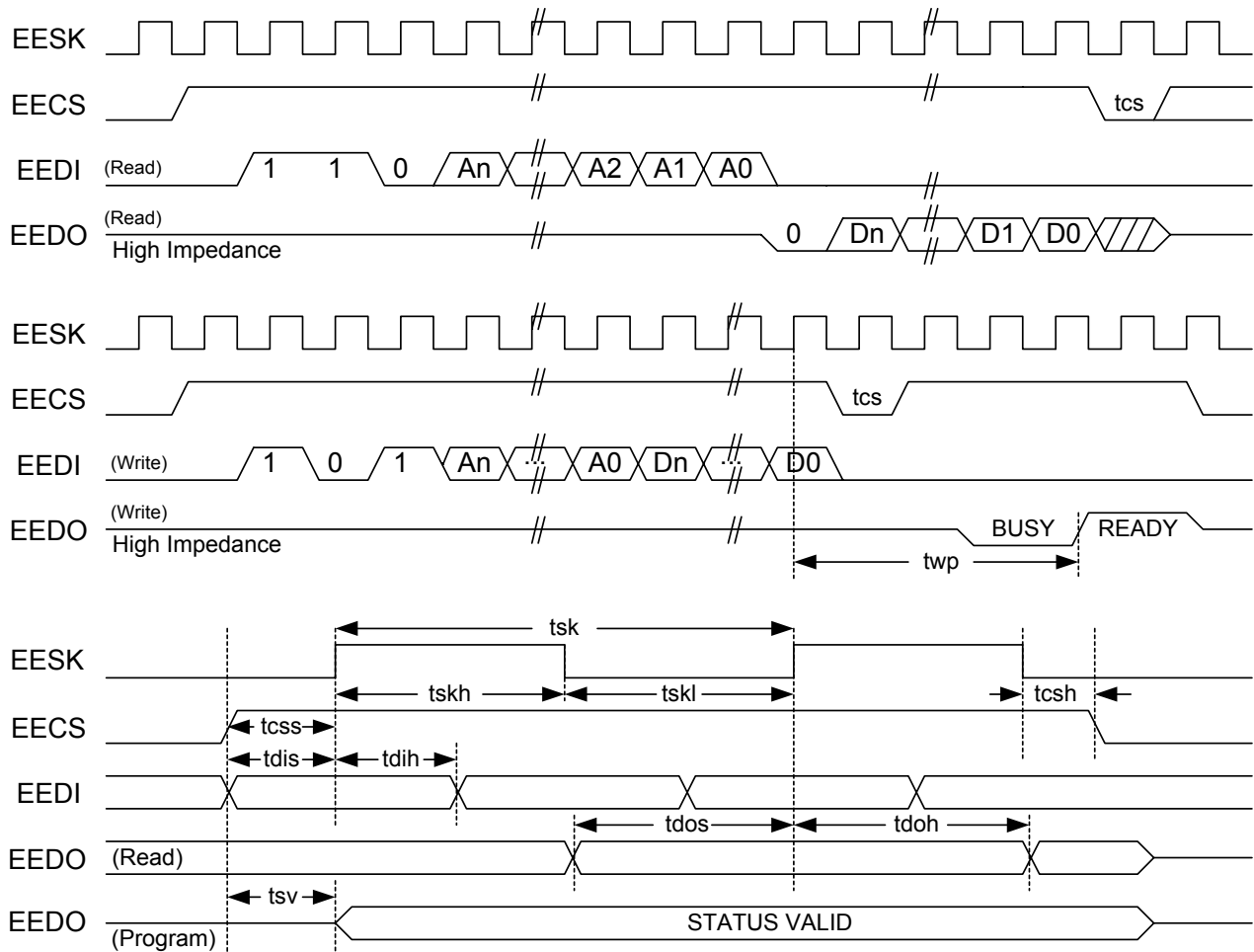


Figure 6. Serial EEPROM Interface Timing

Table 16. EEPROM Access Timing Parameters

Symbol	Parameter	EEPROM Type	Min.	Max.	Unit
tcs	Minimum CS Low Time	9346/9356	1000/250		ns
twp	Write Cycle Time	9346/9356		10/10	ms
tsk	SK Clock Cycle Time	9346/9356	4/1		μ s
tskh	SK High Time	9346/9356	1000/500		ns
tskl	SK Low Time	9346/9356	1000/250		ns
tcss	CS Setup Time	9346/9356	200/50		ns

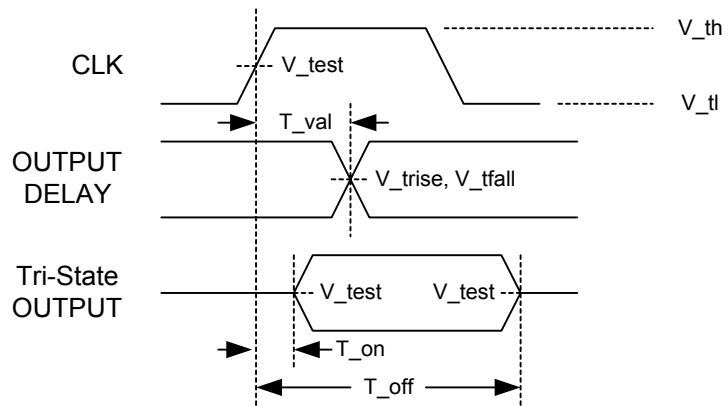
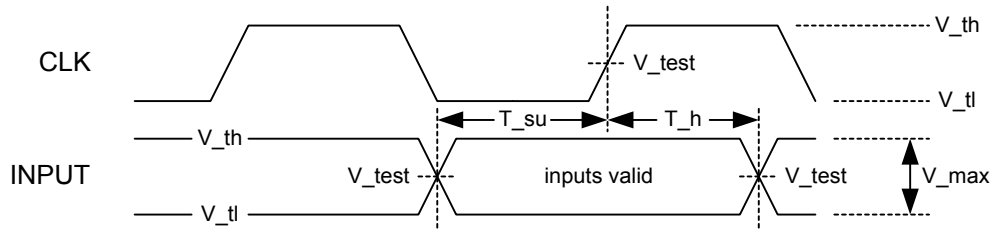
Symbol	Parameter	EEPROM Type	Min.	Max.	Unit
tcsH	CS Hold Time	9346/9356	0/0		ns
tdis	DI Setup Time	9346/9356	400/50		ns
tdih	DI Hold Time	9346/9356	400/100		ns
tdos	DO Setup Time	9346/9356	2000/500		ns
tdoh	DO Hold Time	9346/9356		2000/500	ns
tsv	CS to Status Valid	9346/9356		1000/500	ns

7.7. PCI Bus Operation Timing

7.7.1. PCI Bus Timing Parameters

Table 17. PCI Bus Timing Parameters

Symbol	Parameter	66MHz		33MHz		Parameter
		Min	Max	Min	Symbol	
T val	CLK to Signal Valid Delay-based signals	2	6	2	11	ns
T val(ptp)	CLK to Signal Valid Delay-point to point	2	6	2	12	ns
T on	Float to Active Delay	2		2		ns
T off	Active to Float Delay		14		28	ns
T su	Input Setup Time to CLK-based signals	3		7		ns
T su(ptp)	Input Setup Time to CLK-point to point	5		10		ns
T h	Input Hold Time from CLK	0		0		ns
T rst	Reset active time after power stable	1		1		ms
T rst-clk	Reset active time after CLK STABLE	100		100		μs
T rst-off	Reset Active to Output Float delay		40		40	ns
T rhfa	RSTB High to First configuration Access	2 ²⁵		2 ²⁵		clocks
T rhff	RSTB High to First FRAMEB assertion	5		5		clocks


Figure 7. Output Timing Measurement Conditions

Figure 8. Input Timing Measurement Conditions
Table 18. Measurement Condition Parameters

Symbol	Level	Units
Vth	0.6Vcc	V
Vtf	0.2Vcc	V
Vtest	0.4Vcc	V
Vtrise	0.285Vcc	V
Vtfall	0.615Vcc	V
Vmax	0.4Vcc	V
Input Signal Edge Rate	1	V/ns

7.7.2. PCI Clock Specification

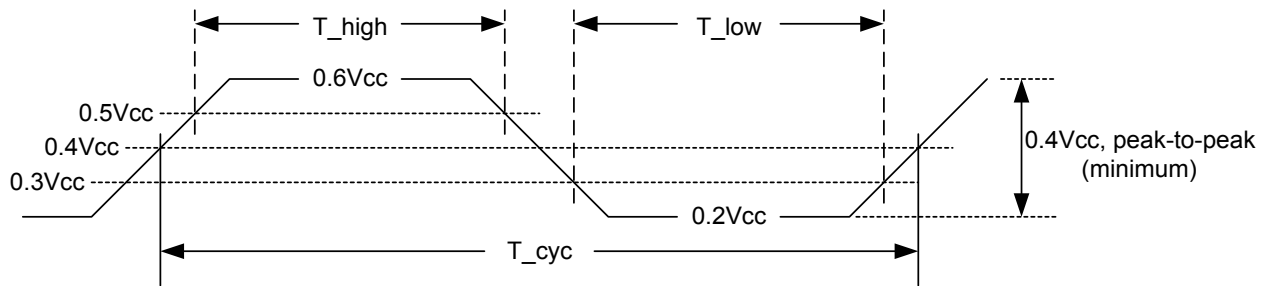


Figure 9. 3.3V Clock Waveform

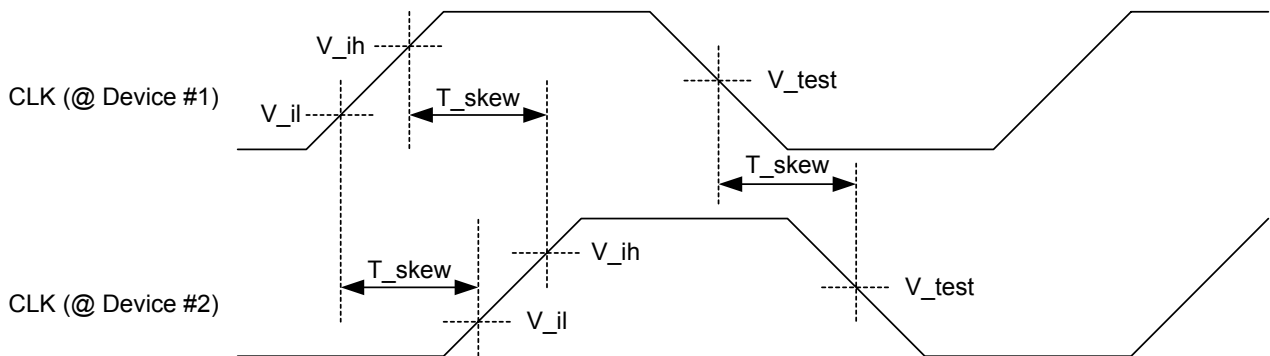
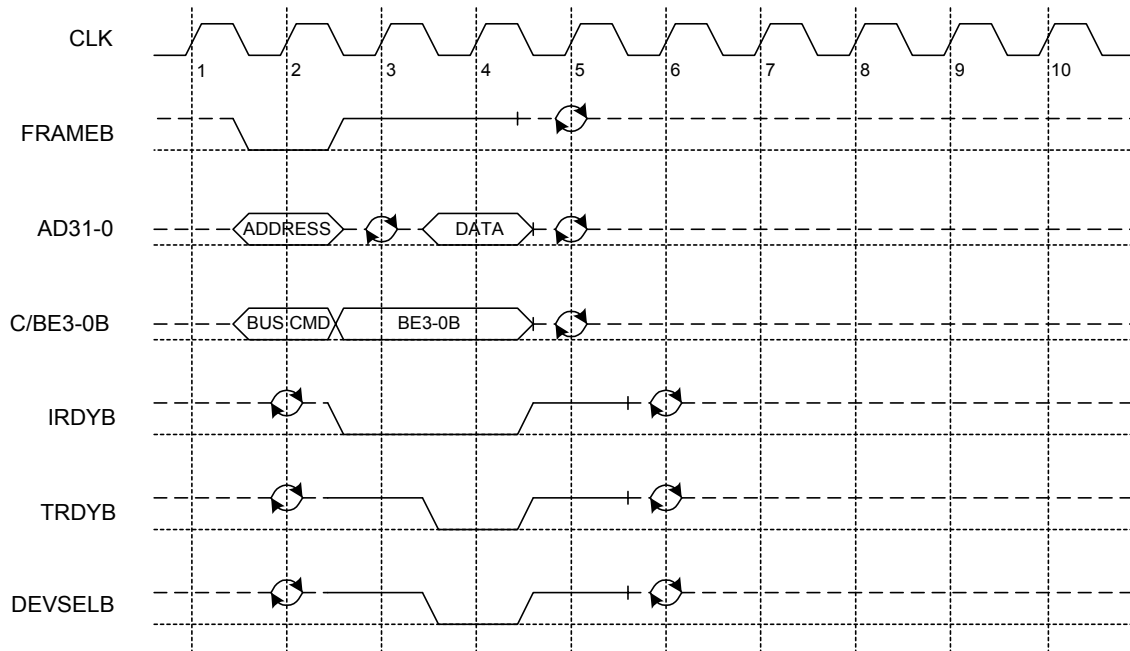
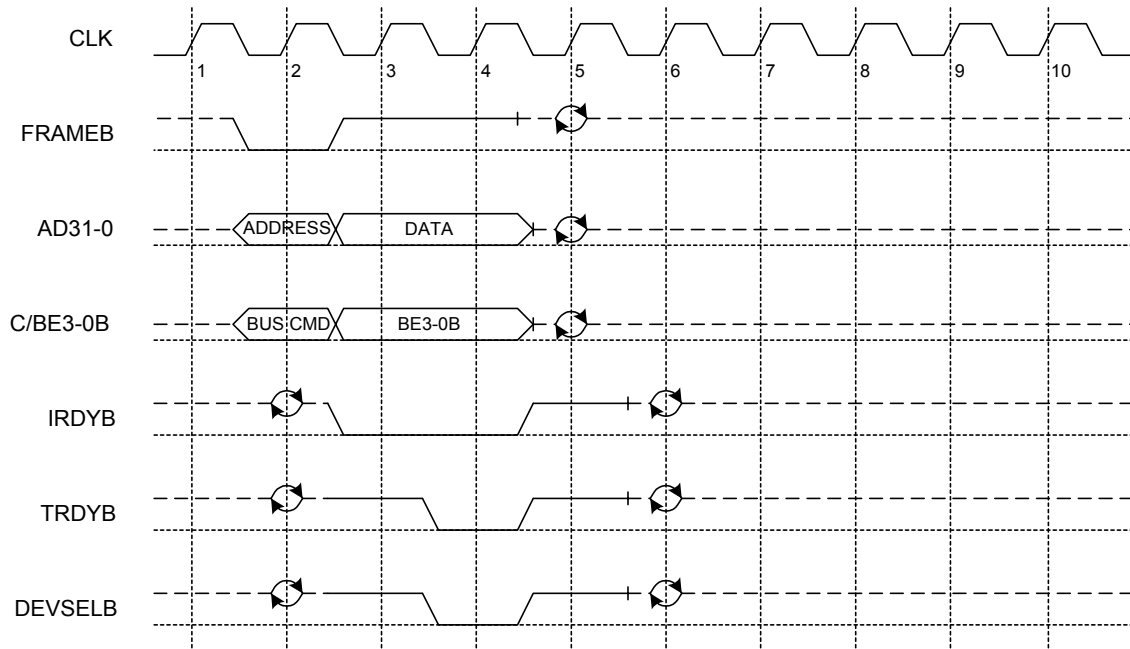


Figure 10. Clock Skew Diagram

Table 19. Clock and Reset Specifications

Symbol	Parameter	66MHz		33MHz		Parameter
		Min	Max	Min	Symbol	
T _{cyc}	CLK Cycle Time	15	30	30	∞	ns
T _{high}	CLK High Time	6		11		ns
T _{low}	CLK Low Time	6		11		ns
--	CLK Slew Rate	1.5	4	1	4	V/ns
--	RST# Slew Rate	50	-	50	-	mV/ns
T _{skew}	CLK Skew		1		2	ns

7.7.3. PCI Transactions

Figure 11. I/O Read

Figure 12. I/O Write

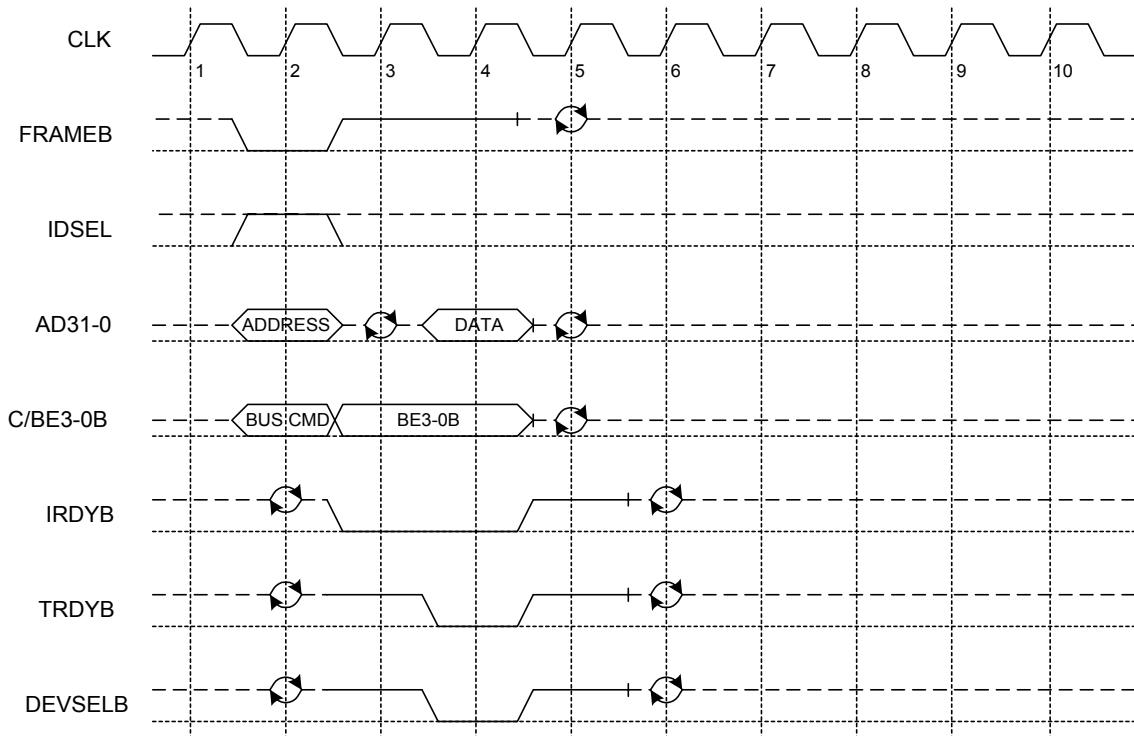


Figure 13. Configuration Read

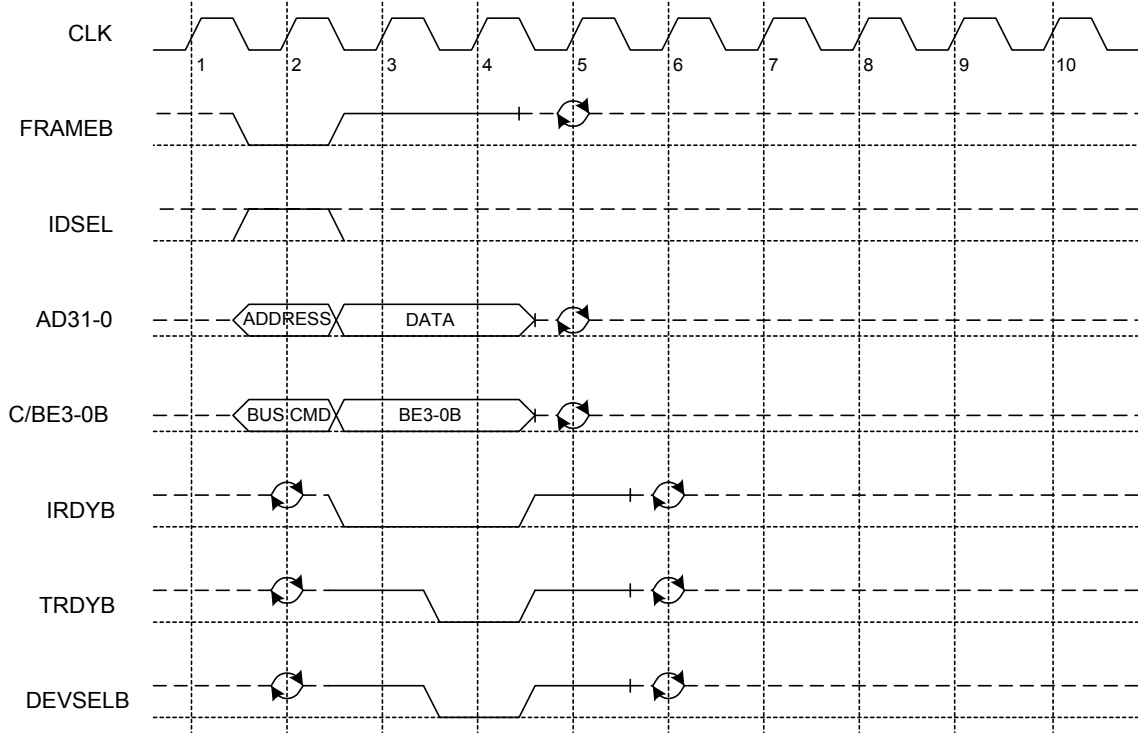


Figure 14. Configuration Write

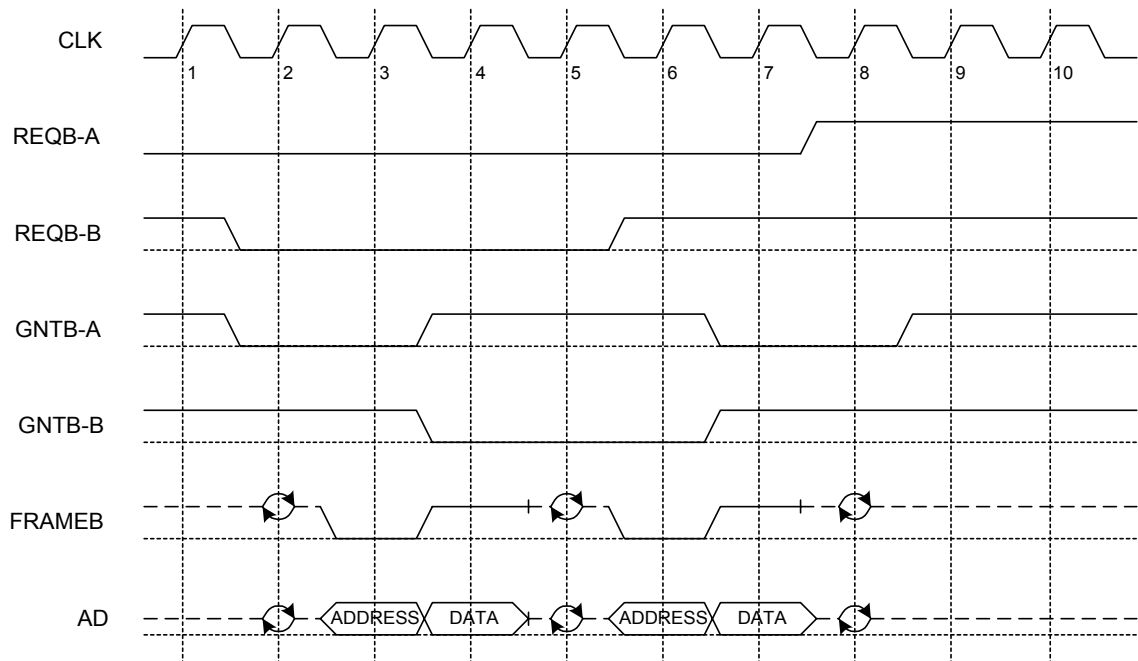


Figure 15. Bus Arbitration

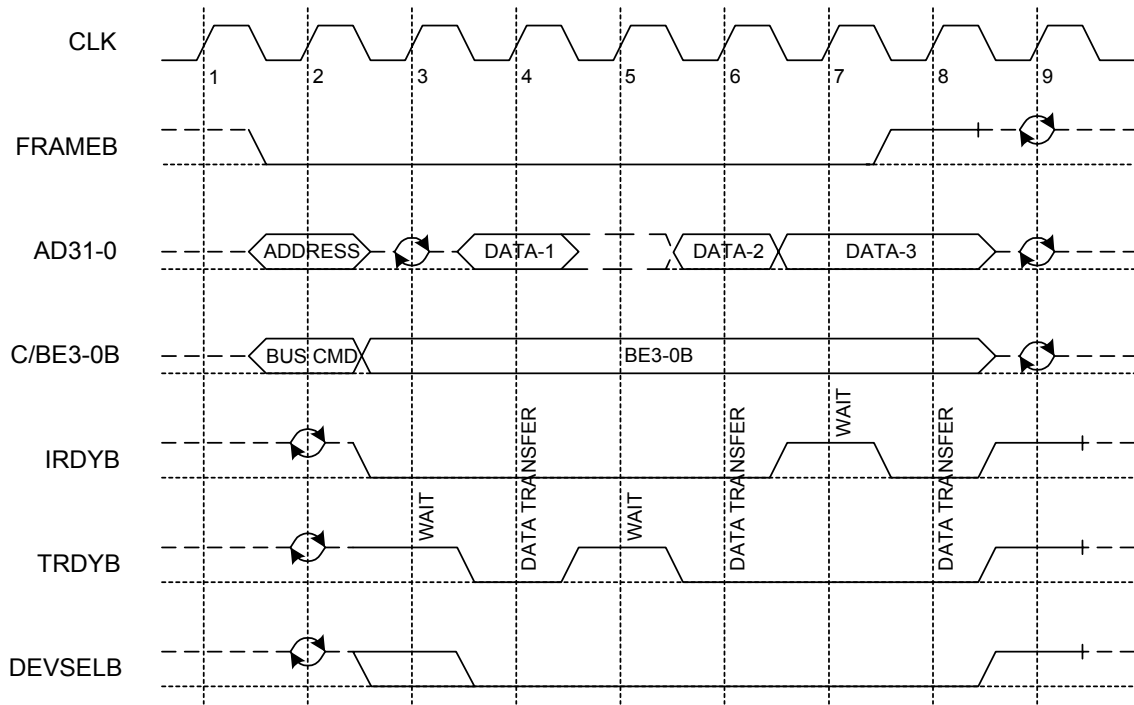


Figure 16. Memory Read below 4GB (32-bit address, 32-bit data)

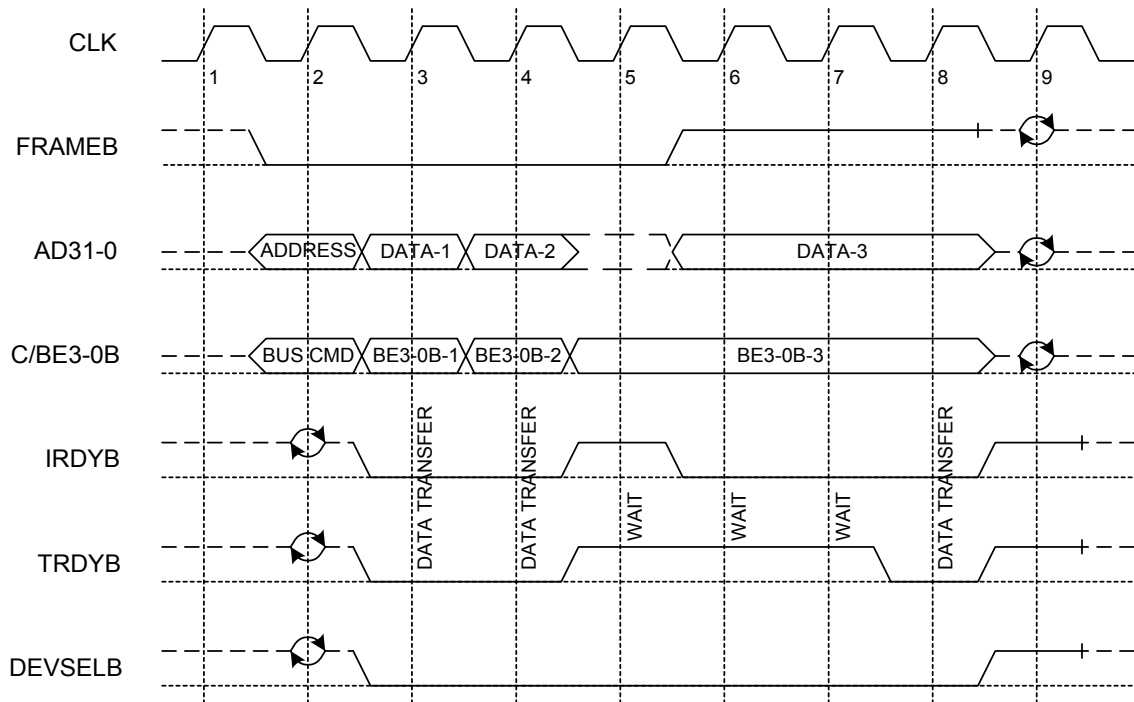


Figure 17. Memory Write below 4GB (32-bit address, 32-bit data)

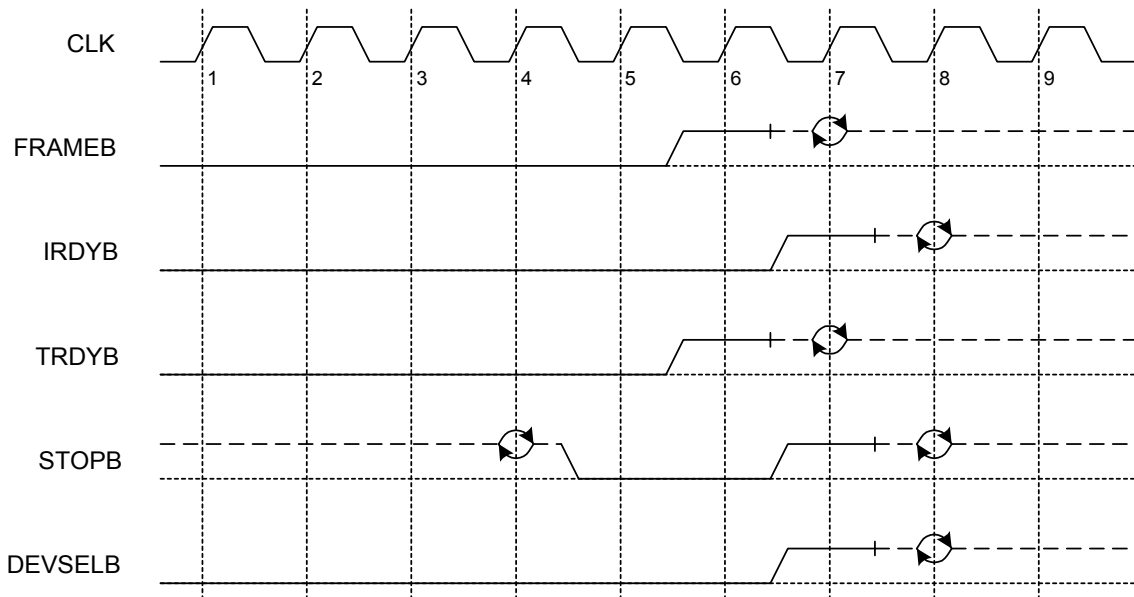


Figure 18. Target Initiated Termination - Disconnect

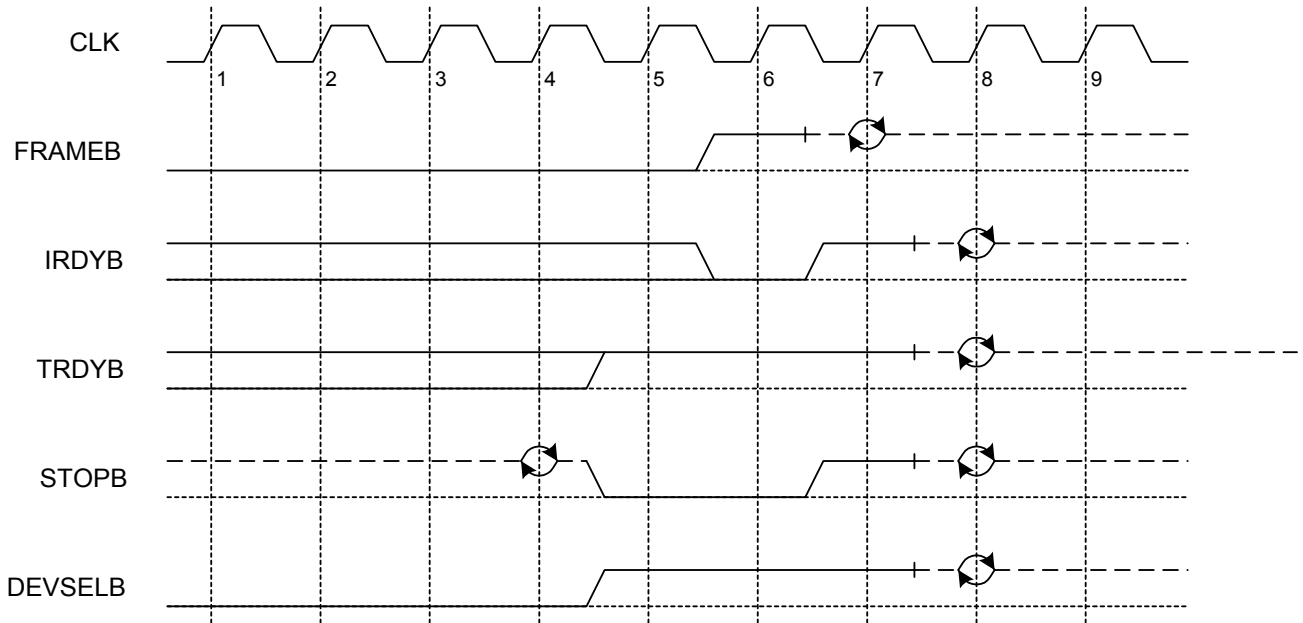


Figure 19. Target Initiated Termination - Abort

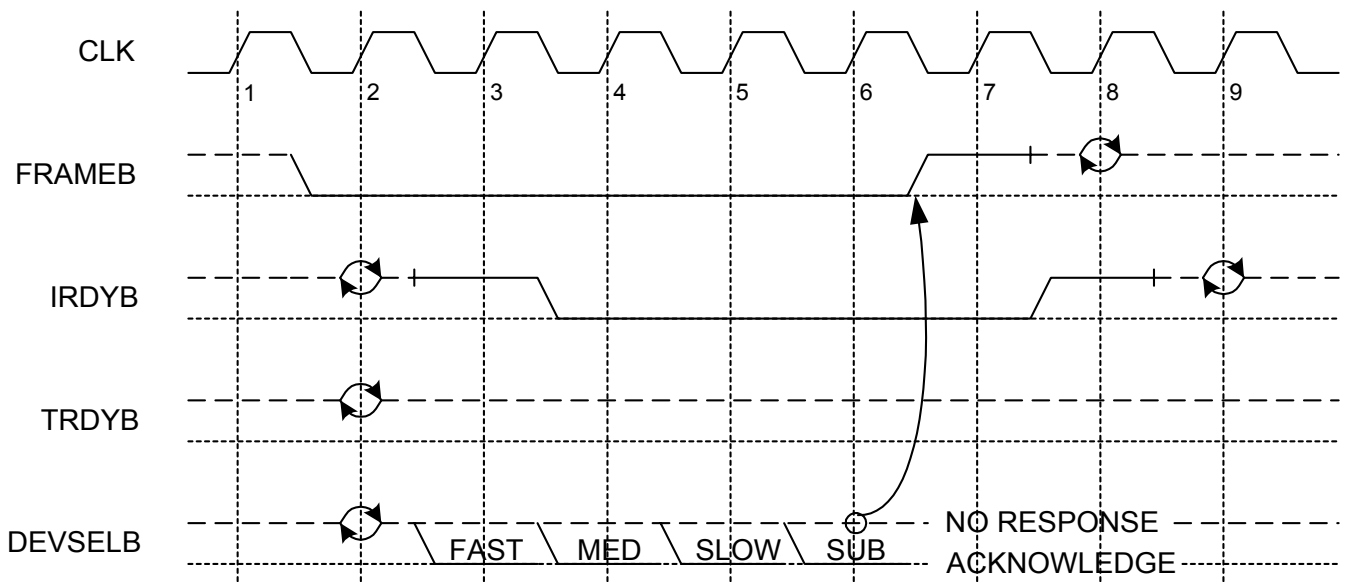


Figure 20. Master Initiated Termination - Abort

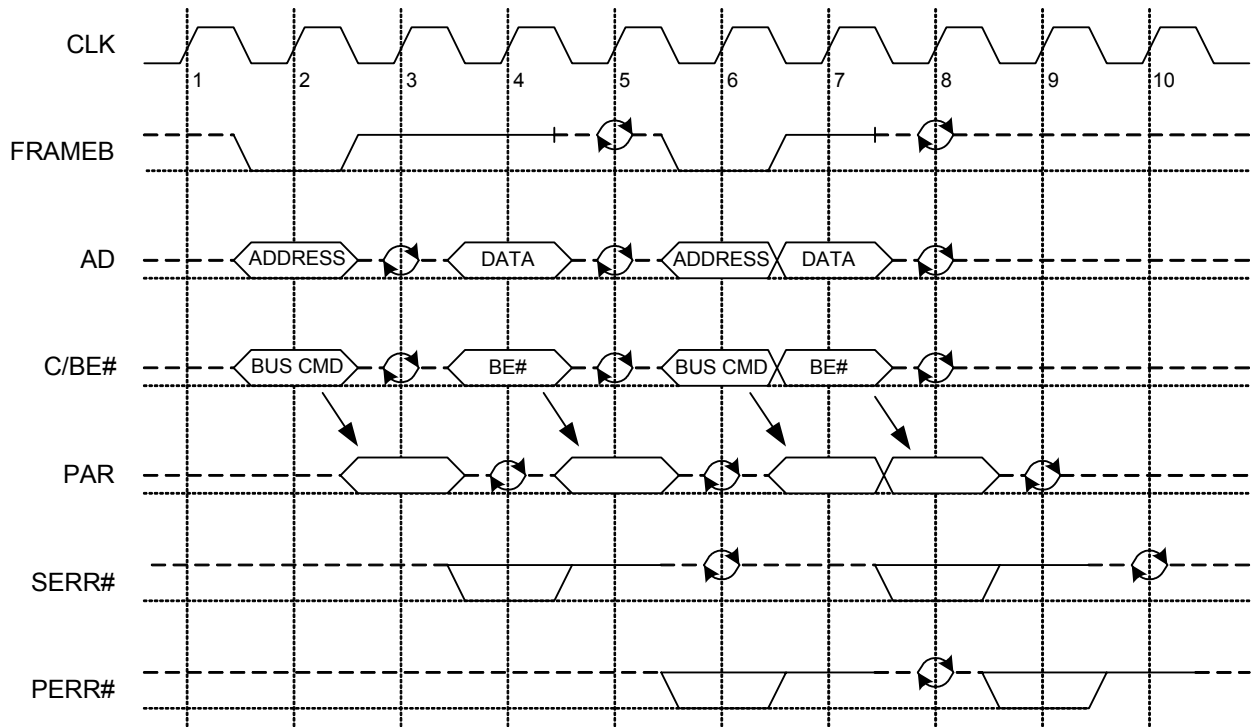


Figure 21. Parity Operation – One Example

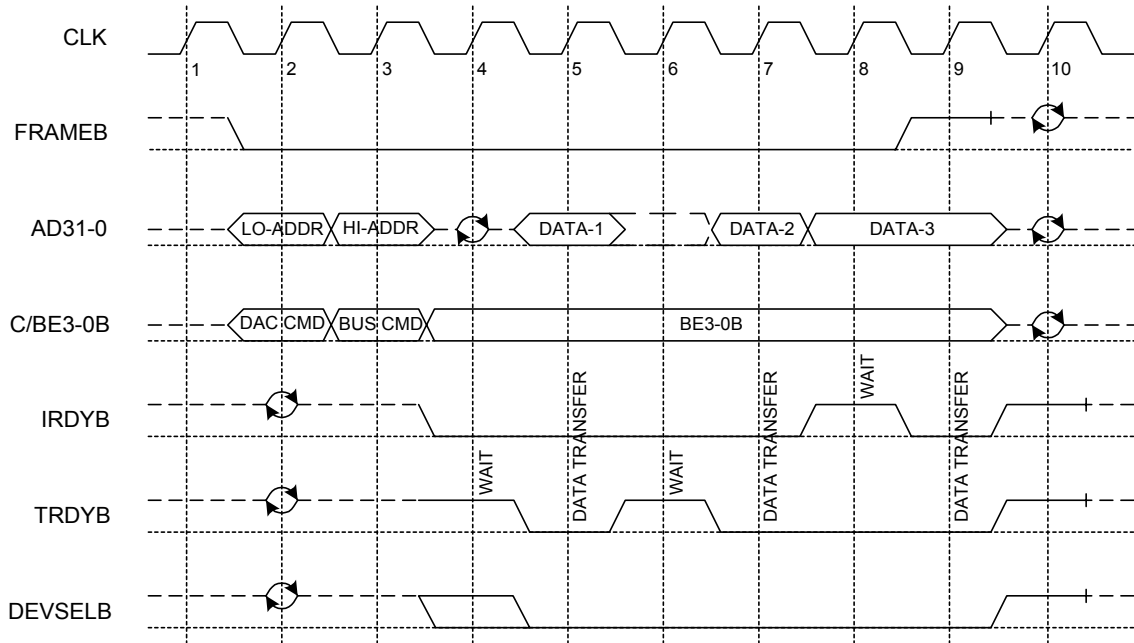


Figure 22. Memory Read above 4GB (DAC, 64-bit address, 32-bit data)

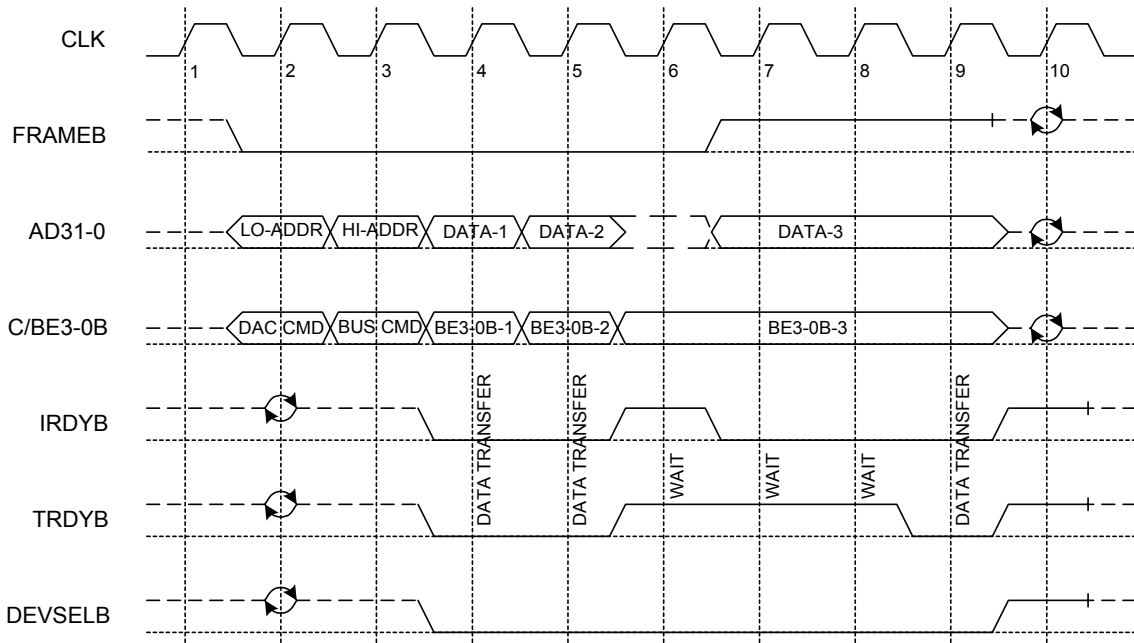
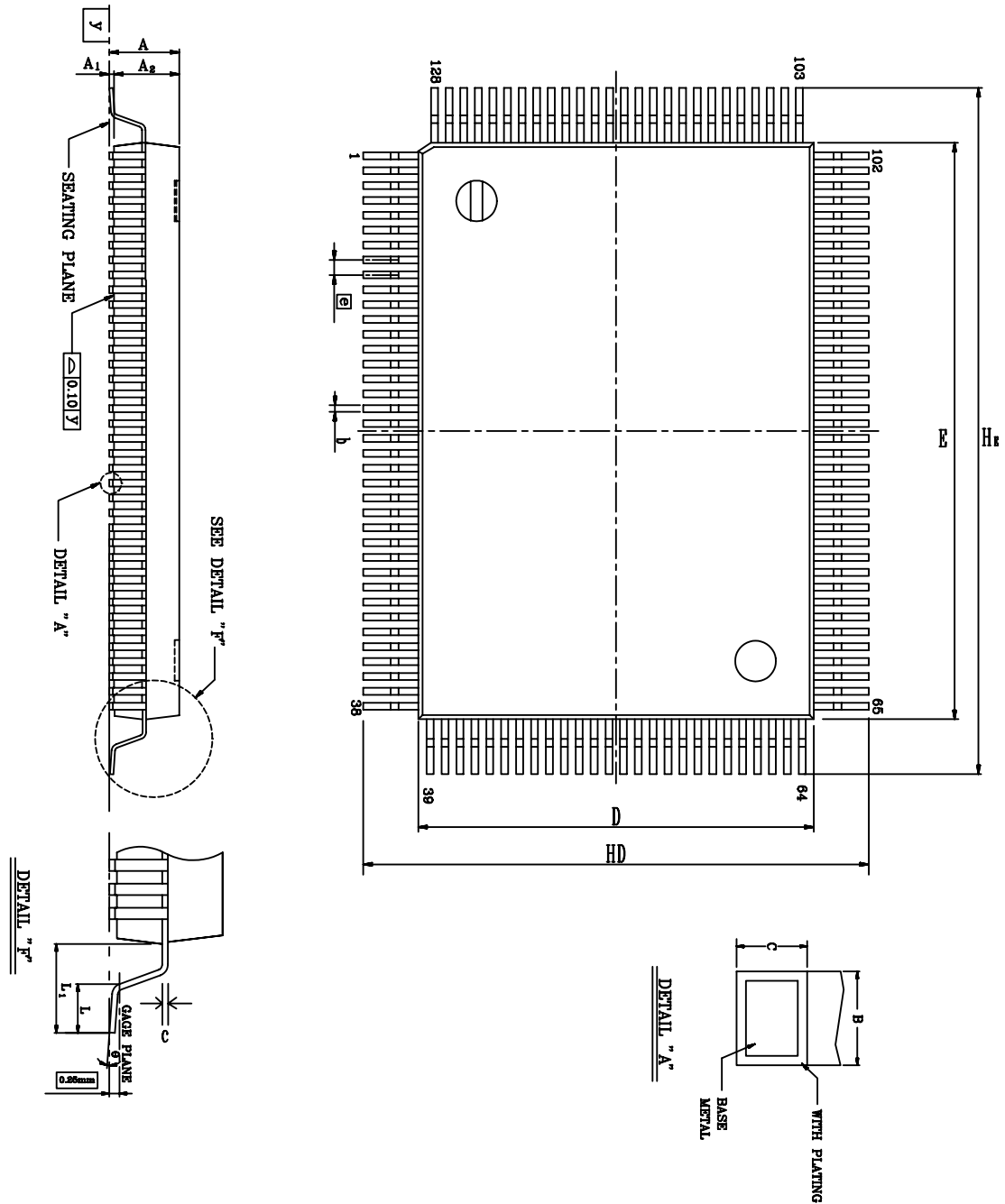


Figure 23. Memory Write above 4GB (DAC, 64-bit address, 32-bit data)

8. Mechanical Dimensions

8.1. 128-Pin QFP Mechanical Dimensions



See the Mechanical Dimensions notes on the next page.

8.2. Notes for 128-Pin QFP Dimensions

Symbol	Dimensions in inches			Dimensions in mm		
	Min	Typical	Max	Min	Typical	Max
A	-	-	0.134	-	-	3.40
A1	0.004	0.010	0.036	0.10	0.25	0.91
A2	0.102	0.112	0.122	2.60	2.85	3.10
b	0.005	0.009	0.013	0.12	0.22	0.32
c	0.002	0.006	0.010	0.05	0.15	0.25
D	0.541	0.551	0.561	13.75	14.00	14.25
E	0.778	0.787	0.797	19.75	20.00	20.25
e	0.020 BSC			0.50 BSC		
HD	0.665	0.677	0.689	16.90	17.20	17.50
HE	0.902	0.913	0.925	22.90	23.20	23.50
L	0.027	0.035	0.043	0.68	0.88	1.08
L1	0.053	0.063	0.073	1.35	1.60	1.85
y	-	-	0.004	-	-	0.10
θ	0°	-	12°	0°	-	12°

Notes:

1. Dimensions D & E do not include interlead flash.
2. Dimension b does not include dambar protrusion/intrusion.
3. Controlling dimension: Millimeter
4. General appearance spec. Should be based on final visual inspection.

TITLE: 128 QFP (14x20 mm) PACKAGE OUTLINE			
-CU L/F, FOOTPRINT 3.2 mm			
LEADFRAME MATERIAL			
APPROVE		DOC. NO.	
		VERSION	
		PAGE	
CHECK		DWG NO.	Q128 - 1
		DATE	
REALTEK SEMICONDUCTOR CORP.			

9. Ordering Information

Table 20. Ordering Information

Part Number	Package	Status
RTL8110S-32	128-pin QFP	MP
RTL8110S-32-LF	128-pin QFP Lead (Pb)-Free	MP
RTL8110S-32-GR	128-pin QFP Green Package	MP

Note: See page 3 for Lead (Pb)-Free/Green package identification.

Realtek Semiconductor Corp.

Headquarters

No. 2, Industry East Road IX, Science-based
Industrial Park, Hsinchu, 300, Taiwan, R.O.C.

Tel: 886-3-5780211 Fax: 886-3-5776047

www.realtek.com.tw