

# NM95MS16

## Plug and Play Front-End Devices for ISA-BUS Systems

### General Description

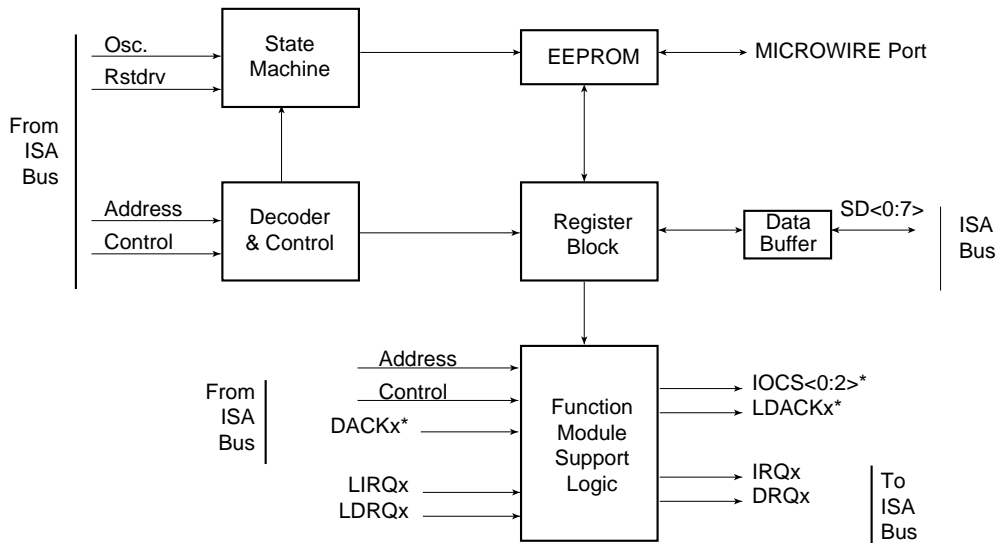
The NM95MS16 is the smaller of a family of devices designed to provide complete Plug and Play Capability for ISA bus systems. The NM95MS16 includes the necessary state machine logic to manage the Plug and Play protocol in addition to switches for steering Interrupt and DMA requests. It also features a built-in 2 kbits of serial EEPROM for storing the resource data specified in the Plug and Play Standard. In addition, 4 kbits of EEPROM is available for use by other on-board logic. This device provides a "truly complete" single-chip solution for implementing Plug and Play on ISA-Bus Adapter cards. The NM95MS16 supports one logical device with a flexible choice of DMA/IRQ selection and I/O Chipselect generation as well as offering 16-bit addressing in Mode 1.

NM95MS16 is implemented using Fairchild's Advanced CMOS process and operates single power supply. The NM95MS16 is available in a 48-pin TQFP package and 52-pin PLCC package.

### Features

- Complete Implementation of Plug and Play Standard
  - Direct interface to ISA bus
- Two modes of operation
  - DMA mode
  - Extended Interrupt mode (**Windows® 95 logo** compatible)
- 6 or 8 ISA bus interrupt lines and 2 DRQ/DACK lines supported
- On-chip EEPROM for resource request table
- Additional 4 kbits of on-chip EEPROM available for external access
- 24 mA Drivers for Data outputs
- Complete compliance to ISA PnP specification (Ver. 1.0A)
- 48-Pin TQFP, and 52-Pin PLCC Packages

### Block Diagram

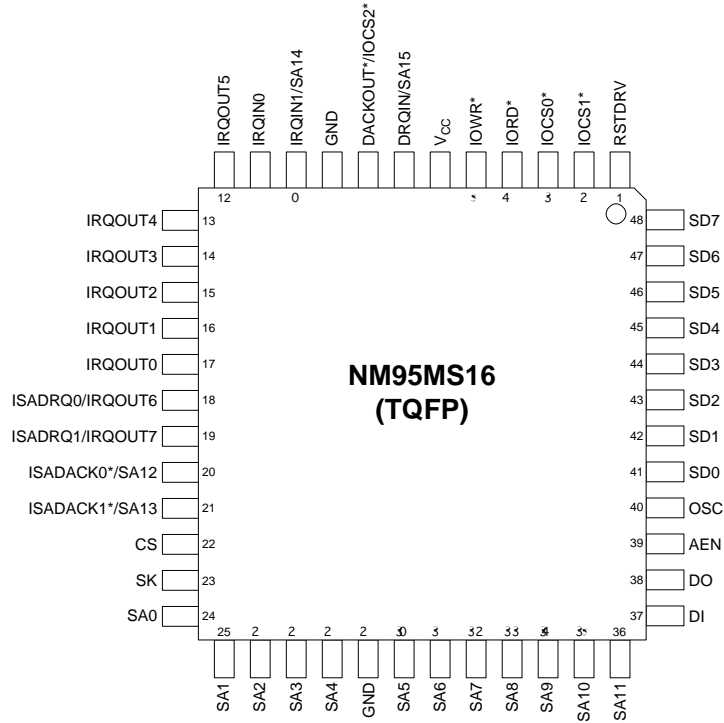


DS012601-1

Windows® 95 is a registered trademark of Microsoft Corporation.

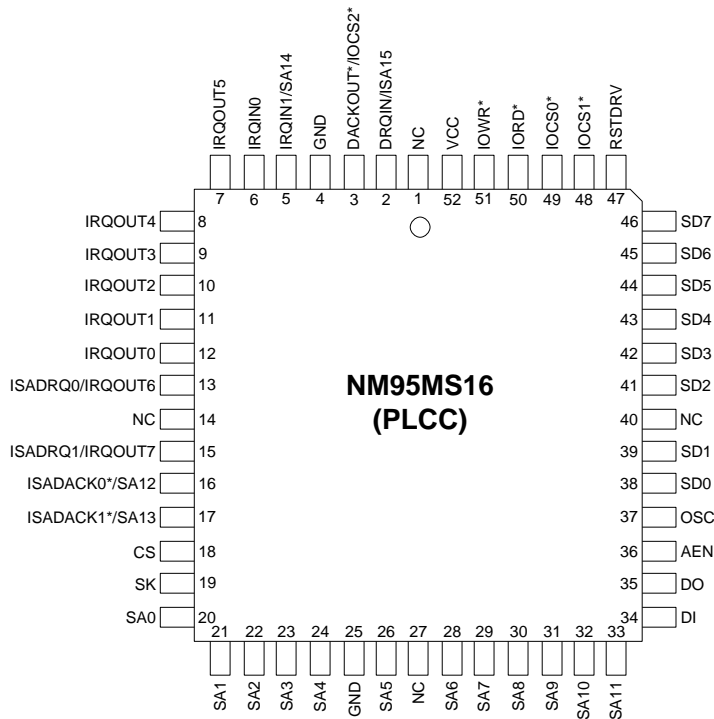
## Connection Diagrams

Commercial Temperature Range (0°C to +70°C)



DS012601-2

Order Number NM95MS16VBH



DS012601-3

Order Number NM95MS16V

### Connection Diagrams (Continued)

Signals	Type	Description
SA<11:0>	I	Address inputs from the ISA bus.
IORD*	I	I/O read strobe from the ISA bus.
IOWR*	I	I/O write strobe from the ISA bus.
AEN	I	Address Enable from ISA Bus —used in conjunction with DMA.
SD<7:0>	I/O	Data bus —lower byte —from/to the ISA bus.
OSC (Note 1)	I	“OSC” clock from the ISA bus —used for internal state machines.
RSTDRV	I	Reset input from the ISA bus.
CS	I	Chip select for Microwire port. <b>There should be a pull down resistor of 4.7k</b> on CS pin if unused externally, or directly connected to GND.
SK, DI	I	Clock and Data input lines for Microwire bus connection to access a portion (4k) on chip EEPROM.
DO	O	Data output line for the Microwire interface detailed above.
IRQOUT<5:0>	O	Connection to ISA bus interrupt request pins. On-chip interrupt request(s) may be connected to any 6 of the ISA IRQ lines.
IRQIN<1:0>	I	Interrupt request from on-board logic
DRQin/SA<15>	I	DMA request from on-board logic, or Address input from ISA bus depending on mode selected.
DACKOUT* /IOCS2*	O	DMA Acknowledge for on-board logic or Programmable chipselect (2) depending on mode selected.
ISADRQ<1:0>/IRQOUT<7:6>	O	Connection for two ISA bus DMA Request lines, or additional interrupt request lines depending on the mode selected.
ISADACK<1:0>*/SA<13:12>	I	DMA Acknowledge from the ISA bus or additional address lines depending on the mode selected.
IOCS<1:0>*	O	Programmable chip selects to address on-board peripheral.
IRQIN<1>/SA<14>	I	Interrupt request from on board logic or Address input from ISA bus depending on mode selected.

\*Signal name with a "\*" means its an active low signal.

**Note 1:** "OSC" clock from ISA Bus is fixed at a standard frequency of 14.318 MHz. NM95MS16 is designed and tested for 14.318 MHz. However NM95MS16 can handle frequencies up to 24 MHz though it is not 100% tested.

## Pinout Details for the NM95MS16

Mode 00 = DMA Mode; Mode 01 = Extended Interrupt Mode

TQFP Pin	DMA Mode	Ext.Intr.Mode
1	RSTDRV	RSTDRV
2	IOCS1*	IOCS1*
3	IOCS0*	IOCS0*
4	IORD*	IORD*
5	IOWR*	IOWR*
6	V <sub>CC</sub>	V <sub>CC</sub>
7	DRQIN	SA15
8	DACKOUT*	IOCS2*
9	GND	GND
10	IRQIN1	SA14
11	IRQIN0	IRQIN0
12	IRQOUT5	IRQOUT5
13	IRQOUT4	IRQOUT4
14	IRQOUT3	IRQOUT3
15	IRQOUT2	IRQOUT2
16	IRQOUT1	IRQOUT1
17	IRQOUT0	IRQOUT0
18	ISADRQ0	IRQOUT6
19	ISADRQ1	IRQOUT7
20	ISADACK0*	SA12
21	ISADACK1*	SA13
22	CS	CS
23	SK	SK
24	SA0	SA0

TQFP Pin	DMA Mode	Ext.Intr.Mode
25	SA1	SA1
26	SA2	SA2
27	SA3	SA3
28	SA4	SA4
29	GND	GND
30	SA5	SA5
31	SA6	SA6
32	SA7	SA7
33	SA8	SA8
34	SA9	SA9
35	SA10	SA10
36	SA11	SA11
37	DI	DI
38	DO	DO
39	AEN	AEN
40	OSC	OSC
41	SD0	SD0
42	SD1	SD1
43	SD2	SD2
44	SD3	SD3
45	SD4	SD4
46	SD5	SD5
47	SD6	SD6
48	SD7	SD7

**Note:** Mode selection (00 or 01) is done by setting MS bits in the EEPROM configuration register. Detailed information about this is described in User's Guide.

### Absolute Maximum Ratings (Note 2)

Ambient Storage Temperature	-65°C to +150°C
All Input or Output Voltages with Respect to Ground	$V_{CC} + 1V$ to $-0.3V$
Lead Temperature (Soldering, 10 seconds)	+300°C
ESD Rating	2000V Min

### Operating Conditions

Ambient Operating Temperature NM95MS16	0°C to +70°C
Positive Power Supply ( $V_{CC}$ )	4.5V to 5.5V

### DC Electrical Characteristics

Symbol	Parameter	Test Conditions	Limits			Units
			Min	Typ (Note 3)	Max	
$I_{CCA}$	Active Power Supply Current	$f_{SCL} = 100$ kHz			15	mA
$I_{LI}$	Input Leakage Current	$V_{IN} = GND$ or $V_{CC}$		0.2	15	$\mu A$
$I_{LO}$	Output Leakage Current	$V_{OUT} = GND$ to $V_{CC}$			15	$\mu A$
$V_{IL}$	Input Low Voltage		-0.1	0.8	V	
$V_{IH}$	Input High Voltage		2.0		$V_{CC} + 1.0$	V
$V_{OL}$	Output Low Voltage	$I_{OL} = 24$ mA (Note 5) $I_{OL} = 2.1$ mA (Note 6)			0.4	V
$V_{OH}$	Output High Voltage	$I_{OH} = -3$ mA (Note 5) $I_{OH} = -400$ $\mu A$ (Note 6)	2.4 2.4			V V

### Capacitance $T_A = +25^\circ C$ , $f = 1.0$ MHz, $V_{CC} = 5V$

Symbol	Test	Conditions	Max	Units
CI/O (Note 4)	Input/Output Capacitance	VI/O = 0V	8	pF
CIN (Note 4)	Input Capacitance	VIN = 0V	6	pF
COUT (Note 4)	Output Capacitance	VOUT = 0V	6	pF

**Note 2:** Stress above those listed under "Absolute Maximum Ratings" may cause permanent damage to the device. This is a stress rating only, and functional operation of the device at these or any other conditions above those indicated in the operational sections of the specification is not implied. Exposure to absolute maximum rating conditions for extended periods may affect device reliability.

**Note 3:** Typical values are for  $T_A = 25^\circ C$  and nominal supply voltage (5V).

**Note 4:** This parameter is periodically sampled and not 100% tested.

**Note 5:** These values are for ISA signals like SD[0:7], IRQx, DRQx.

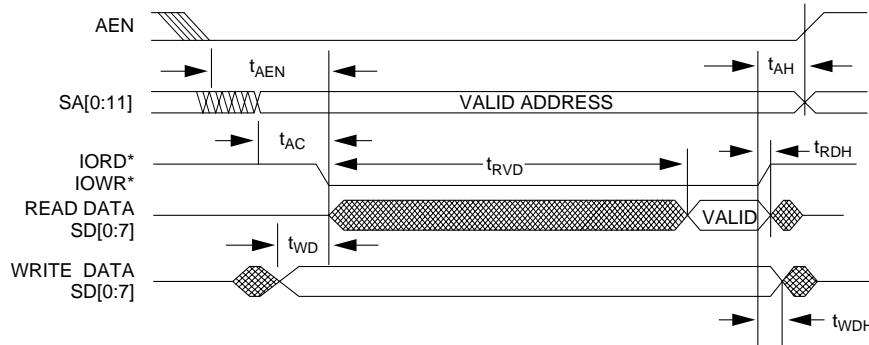
**Note 6:** These values are for card signal like IOCS[0:3]\*, DO(EEPROM).

### AC Electrical Characteristics

Symbol	Parameter	Min	Max	Unit
$t_{AEN}$	AEN Valid to Command Active	100		ns
$t_{AC}$	Address Valid to Command Active	88		ns
$t_{RVD}$	Active Read to Valid Data		200	ns
$t_{AH}$	Address, AEN Hold from Inactive Command	30		ns
$t_{RDH}$	Read Data Hold from Inactive Read		5	ns
$t_{WD}$	Write Data Valid before Write Active	22		ns
$t_{WDH}$	Write Data Hold after Write Inactive	25		ns
$t_{CSA}$	Chip Selects Valid from Address Valid	5	25	ns
$t_{CSC}$	Chip Selects Valid from Command Active	5	25	ns
$t_{IDD}$	Propagation Delay for IRQ/DRQ/DACK	5	25	ns

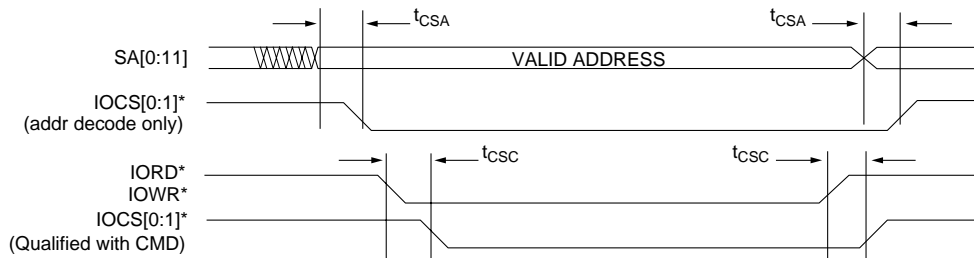
## Timing Diagrams

### Timings for ISA Read/Write Cycle



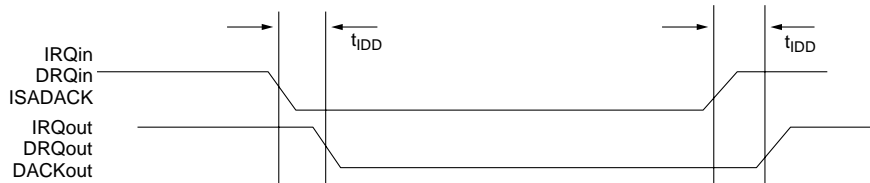
DS012601-4

### Decode Delay for Chipselect Generation



DS012601-5

### Propagation Delay for IRQ/DRQ/DACK



DS012601-6

## INTRODUCTION

The NM95MS16 is a single-chip solution for the ISA Plug and Play (PnP) specification. It implements the complete state machine and the necessary logic for supporting configurable Interrupts and DMA channels on the ISA bus for one logical device. Apart from providing "PnP" capability, it has built-in EEPROM that eliminates external EEPROM. This device is available in a space saving 48-pin Thin Quad Flat Pack (TQFP) package.

## Functional Description

NM95MS16 has two modes of operation, viz, "DMA mode" and "Extended Interrupt mode". These modes are programmed using the mode select (MS) bits in one of the configuration registers

(Refer to the NM95MS16 User's guide for detailed information). Each of these modes are discussed below.

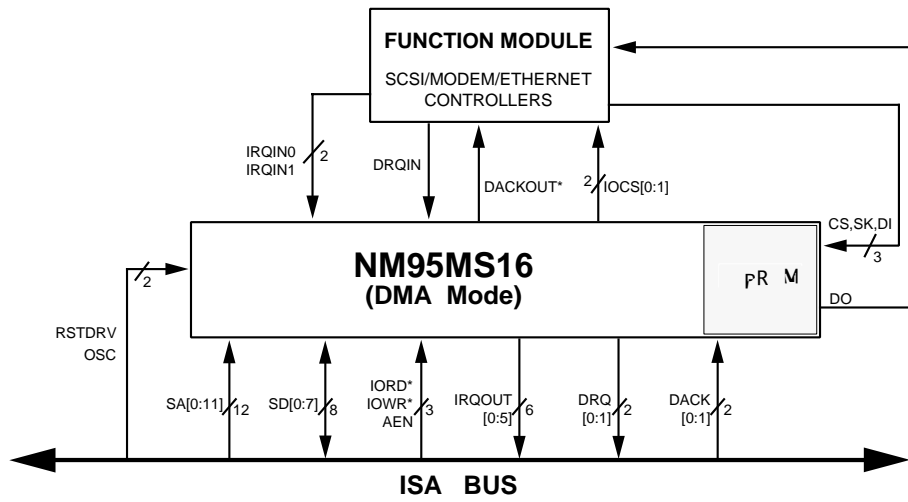
### DMA Mode

In the DMA mode, support is provided for

1. One on-board DMA request that is switchable to any two DMA channels on the ISA bus.
2. Two on-board interrupt request lines switchable to any six IRQ lines on the ISA bus.
3. Two programmable I/O chip selects for on-board logic.

Figure 1 shows a Block Diagram of NM95MS16 configured for DMA Mode.

**INTRODUCTION** (Continued)



DS012601-7

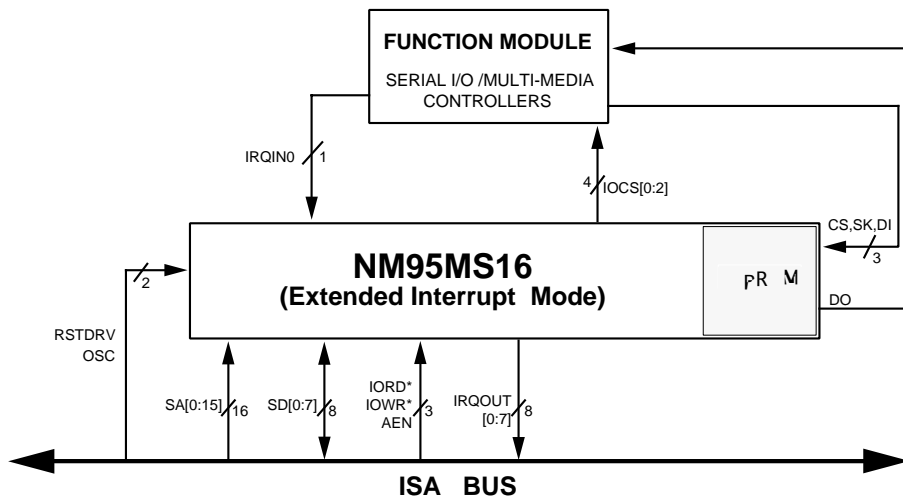
**FIGURE 1.**

**Extended Interrupt Mode**

In the Ext.Int. mode, support is provided for:

1. Two on-board interrupt request lines switchable to any eight IRQ lines on the ISA bus.
2. Three programmable I/O chip selects for on-board logic.
3. ISA address SA12–SA15 are also included for extended decode.

Figure 2 shows a Block Diagram of NM95MS16 configured for Extended Interrupt Mode.



DS012601-8

**FIGURE 2.**

**Chipselect Generation**

Individual I/O chipselect can be generated in the following two ways:

- A) Address Decode only
- B) Address Decode qualified by Command (IORD\*, IOWR\*).

**On-Chip EEPROM**

NM95MS16 has 6 kbits of EEPROM on chip. All the PnP resource data structure for the logical device is stored in this EEPROM. Of the 6 kbits, 4 kbits are available for the logical device's external usage. The logical device can access the EEPROM through a microwire port, which is essentially a 4-wire serial bus. The pins CS, SK, DI and DO follow the exact timing as the standard microwire bus and are compatible to the NM93Cxx family of EEPROMs.

## INTRODUCTION (Continued)

### EEPROM Programming

The entire 6 kbits of EEPROM can be programmed through the ISA bus. The EEPROM can be programmed by putting the device (NM95MS16) in the Config. state (as defined in the PnP standard). Under this state 4 registers at address 0xF0–0xF3 are accessible to program the EEPROM. The data to be programmed is loaded in register at address 0xF3 and 0xF2 (LSB and MSB respectively). The address to be programmed is loaded in register at address

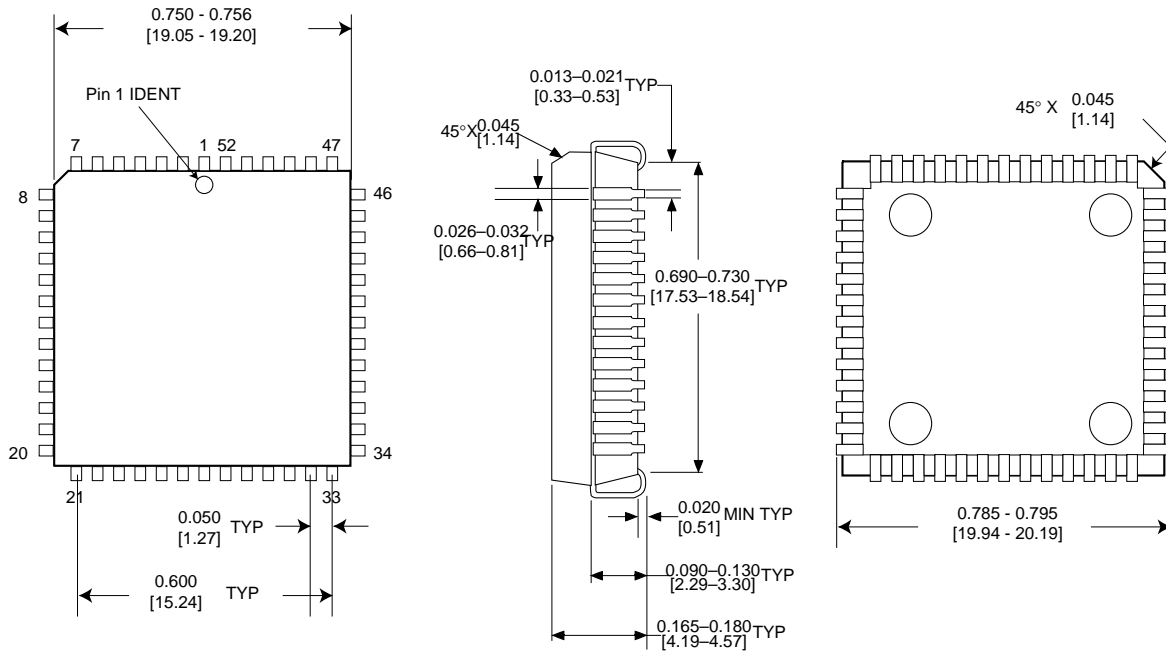
0xF1. The Ninth bit of address for 6 kbits of memory is provided through the register at address 0xF0. Both read write are possible. The actual operation does not begin until Go Ahead (GA) bit is set. Programming a word takes approximately 10 ms. The status of the operation can be polled by the Status bit. This bit is set when the operation is in progress and will be reset when complete. The register at address 0xF0 is COMMAND register. This is the handshake register in programming the EEPROM and is explained below in a tabular format.

COMMAND Register	0xF0	Bit[1:0] —OP Code bits	10 - Read operation 01 - Write operation 11 - Erase operation
		Bit[2] —GA(Go ahead bits)	If set to 1 the programming will continue.
		Bit[6:3] —Reserved, should be 0.	
		Bit[7] —It provides A8 of the address. A[0:7] is provided by 0xF1 reg. (Note 7)	
Address Register	0xF1	AddressRegister [A0–A7]	
Data Register	0xF2	Data Byte [MSB]	
Data Register	0xF3	Data Byte [LSB]	
STATUS Register	0x05	Bit[0] —Status/Busy bit.	“0” if busy, “1” is done.

**Note 7:** The PNP resource data portion of the internal memory is at high address. Hence to program that portion, bit [7] of register 0xF0 (Address A8) should be set to “1”.

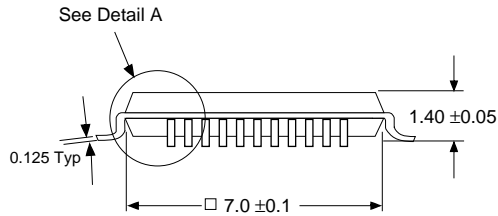
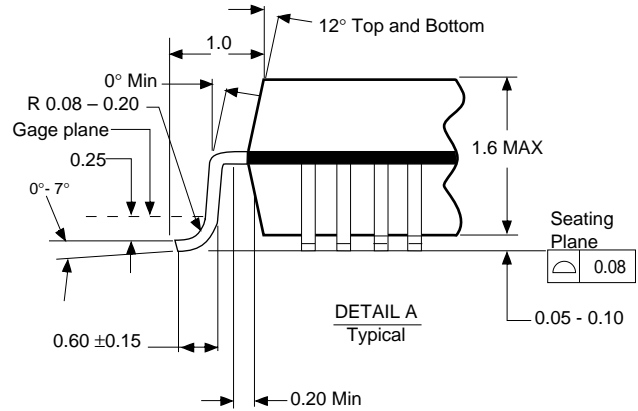
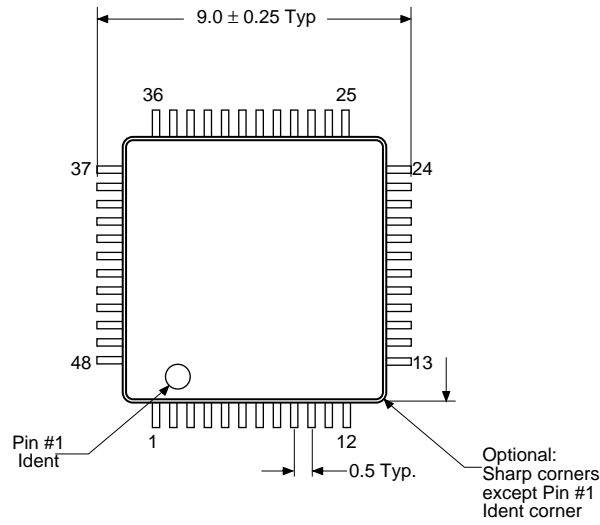


**Physical Dimensions** inches (millimeters) unless otherwise noted



**52-Lead Molded Plastic Leaded Chip Carrier  
Package Number V52A  
Order Number NM95MS16V**

**Physical Dimensions** inches (millimeters) unless otherwise noted



**TQFP Package (VBH)  
Package Number VBH48A  
Order Number NM95MS16VBH**

**Life Support Policy**

Fairchild's products are not authorized for use as critical components in life support devices or systems without the express written approval of the President of Fairchild Semiconductor Corporation. As used herein:

1. Life support devices or systems are devices or systems which, (a) are intended for surgical implant into the body, or (b) support or sustain life, and whose failure to perform, when properly used in accordance with instructions for use provided in the labeling, can be reasonably expected to result in a significant injury to the user.
2. A critical component is any component of a life support device or system whose failure to perform can be reasonably expected to cause the failure of the life support device or system, or to affect its safety or effectiveness.

**Fairchild Semiconductor  
Americas  
Customer Response Center**  
Tel: 1-888-522-5372

**Fairchild Semiconductor  
Europe**  
Fax: +44 (0) 1793-856858  
Deutsch Tel: +49 (0) 8141-6102-0  
English Tel: +44 (0) 1793-856856  
Français Tel: +33 (0) 1-6930-3696  
Italiano Tel: +39 (0) 2-249111-1

**Fairchild Semiconductor  
Hong Kong**  
8/F, Room 808, Empire Centre  
68 Mody Road, Tsimshatsui East  
Kowloon, Hong Kong  
Tel: +852-2722-8338  
Fax: +852-2722-8383

**Fairchild Semiconductor  
Japan Ltd.**  
4F, Natsume Bldg.  
2-18-6, Yushima, Bunkyo-ku  
Tokyo, 113-0034 Japan  
Tel: 81-3-3818-8840  
Fax: 81-3-3818-8841