



MULTIMEDIA CHIPSET

Apollo KLE133



Features	VIA Apollo KLE133	Intel® 810E	VIA Apollo PLE133
North Bridge	VT8361	82810E	VT8601A
Processor Support	AMD Duron™	Intel® Celeron™ Intel® Pentium® III VIA C3™	Intel® Celeron™ Intel® Pentium® III VIA C3™
Front Side Bus Settings	200MHz	66/100/133MHz	66/100/133MHz
Integrated 2D/3D	Integrated AGP2X	i752 - AGP2X	Integrated AGP2X
Memory Bus Settings	66/100/133MHz	66/100/133MHz	66/100/133MHz
Max. Memory	3GB	512MB	1.5GB
Memory Type	PC66/100/133 SDRAM VC SDRAM	PC66/100 SDRAM	PC66/100/133 SDRAM VC SDRAM
South Bridge	VT82C686B	82801AA	VT8231
ACR Support	Yes	Yes	Yes
Integrated Audio/Modem	AC'97/MC'97	AC'97/MC'97	AC'97/MC'97
Sound Blaster™ Compatible Audio	Yes	No	Yes
Integrated Network controller	1/10Mb HomePNA or 10/100 BaseT Ethernet	No	1/10Mb HomePNA or 10/100 BaseT Ethernet
PCI Devices/Slots	Up to 8	Up to 6	Up to 8
ISA Devices Support	Yes	No	Yes
IDE	ATA 33/66/100	ATA 33/66	ATA 33/66/100
USB	4 ports	2 ports	4 ports
Integrated Super IO	FDC/2S/1P/Game port/IR	No	FDC/2S/1P/Game port/IR
IO APIC	Yes	Yes	Yes
Integrated Hardware Monitoring	Yes	No	Yes
Power Management	ACPI/OnNow™ PMM	ACPI/OnNow™ PMM	ACPI/OnNow™ PMM

Benefits of VIA Apollo KLE133

Extremely cost effective platform

The VIA Apollo KLE133's highly integrated design enables OEMs and system builders to offer extremely cost effective PCs by eliminating numerous previously discrete PC components.

Rich AGP graphics capabilities at minimal cost

The integrated AGP2X graphics provide a rich 3D graphical experience when surfing the web or running your favorite software applications.

PC133 performance

Cost Effective PC133 SDRAM offers the bandwidth necessary to squeeze the peak performance out of the latest generation AMD Duron™ processors and multimedia software applications.

Features

- Supports AMD® Duron™ Processor
- 200MHz FSB settings
- Integrated AGP2X graphics core
- Support for PC133 SDRAM as well as PC66/100 SDRAM and Virtual Channel memory
- Support for Advanced Communications Riser (ACR)
- Integrated AC'97, MC'97 Audio/Modem
- Integrated 10/100Mb BaseT Ethernet controller or 1/10Mb HomePNA
- Support for ATA 33/66/100
- 4 USB ports, UHCI compliant
- Integrated Super I/O
- Support for LPC (Low Pin Count) bus
- Support for CRT, Digital Flat Panel and TV display
- Integrated hardware monitoring
- Advanced power management capabilities
- 552-pin BGA VT8361 North Bridge
- 352-pin BGA VT82C686B South Bridge

www.viatech.com



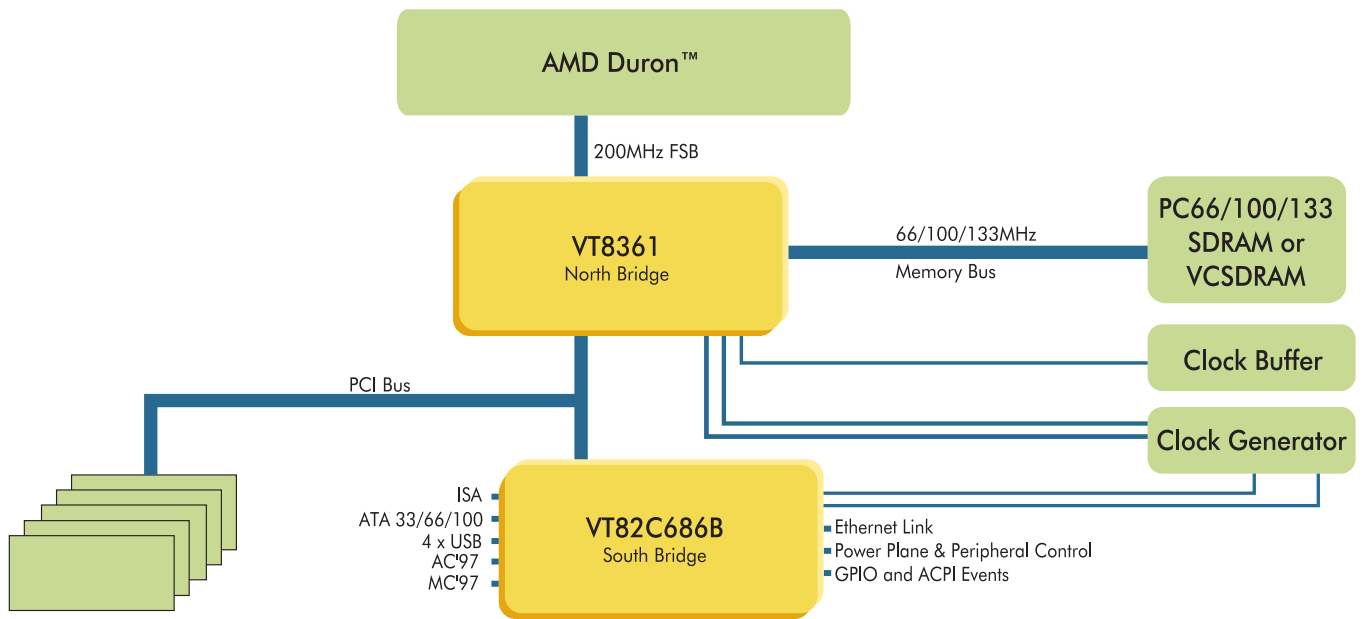
VIA Technologies, Inc.
533 Chung-Cheng RD 8F.,
Hsin-Tien, Taipei 231, Taiwan.
TEL: 886-2-22185452

05, 2001

MULTIMEDIA CHIPSET

Apollo KLE133

With its built-in graphics and audio capabilities, high performance 200MHz system bus, and support for PC100/133 DRAM, the VIA Apollo KLE133 chipset delivers impressive levels of scalability and performance on a cost-effective, integrated chipset platform for the AMD Duron™ processor.



The VIA Apollo KLE133, designed for the specific needs of the Value PC, Information PC and Internet Appliance market segments, combines AGP2X graphics capabilities with PC100/133 SDRAM support to deliver unrivaled flexibility and performance in an affordable yet highly-integrated chipset. With its fast 200MHz FSB, the VIA Apollo KLE133 is designed to optimize the performance of the AMD Duron™ processor and its support for PC133 SDRAM ensures ample memory bandwidth for the most demanding software and Internet applications at minimal cost.



A wide range of additional integrated features provide OEMs and System Integrators with further scope to reduce the cost of building innovative systems without sacrificing features and performance. These include an integrated 10/100 BaseT Ethernet and HomePNA controller, AC'97 audio, MC'97 modem, Super I/O, hardware monitoring capabilities, support for four USB ports, ATA-100, and advanced power management.