

F71869

Super I/O + Hardware Monitor

Release Date: Jul, 2009

Version: V1.1



F71869 Datasheet Revision History

Version	Date	Page	Revision History
V1.0	Jun, 2009		Official released
V1.1	Jul, 2009	16	Revise ST2 pin description

Please note that all data and specifications are subject to change without notice. All the trade marks of products and companies mentioned in this data sheet belong to their respective owners.

LIFE SUPPORT APPLICATIONS

These products are not designed for use in life support appliances, devices, or systems where malfunction of these products can reasonably be expected to result in personal injury. Customers using or selling these products for use in such applications do so at their own risk and agree to fully indemnify Fintek for any damages resulting from such improper use or sales.



Table of Contents

1. GENERAL DESCRIPTION.....	4
2. FEATURE.....	4
3. PIN CONFIGURATION.....	7
4. PIN DESCRIPTION.....	8
4.1 POWER PINS.....	8
4.2 LPC INTERFACE.....	9
4.3 FDC.....	9
4.4 UART AND SIR.....	10
4.5 PARALLEL PORT.....	12
4.6 HARDWARE MONITOR.....	13
4.7 ACPI FUNCTION PINS.....	14
4.8 BIT SELECT AND OTHERS.....	16
4.9 KBC FUNCTION.....	17
5. FUNCTIONAL DESCRIPTION.....	18
5.1 POWER TRAP OPERATION.....	18
5.2 HARDWARE MONITOR.....	18
5.3 ACPI FUNCTION.....	28
5.4 TIMING CONTROL SEQUENCE.....	29
5.5 ST1, ST2 AND ATX_PWRGDSW TIMING.....	30
5.6 AMD TSI AND INTEL PECI FUNCTION.....	32
5. REGISTER DESCRIPTION.....	34
6.1 GLOBAL CONTROL REGISTERS.....	38
6.2 FDC REGISTERS (CR00).....	45
6.3 UART1 REGISTERS (CR01).....	47
6.4 UART2 REGISTERS (CR02).....	48
6.5 PARALLEL PORT REGISTER (CR03).....	50
6.6 HARDWARE MONITOR REGISTERS (CR04).....	51
6.7 KBC REGISTERS (CR05).....	84
6.8 GPIO REGISTERS (CR06).....	85
6.9 BIT SELECT REGISTERS (CR07).....	99
6.10 PME AND ACPI REGISTERS (CR0A).....	101

**F71869**

7. ELECTRICAL CHARACTERISTIC	107
8. ORDERING INFORMATION.....	108
9. PACKAGE DIMENSIONS (128-PQFP)	108
10. APPLICATION CIRCUIT.....	110

Fintek
Do Not Copy!
Confidential



1. General Description

The F71869 which is the featured IO chip for PC system is equipped with one IEEE 1284 Parallel Port, two UART Ports, Hardware Keyboard Controller, SIR and one FDC. The F71869 integrates with hardware monitor, 9 sets of voltage sensor, 3 sets of creative auto-controlling fans and 3 temperature sensor pins for the accurate dual current type temperature measurement for CPU thermal diode or external transistors 2N3906. Others, the F71869 supports newest AMD TSI and Intel PECE interfaces and INTEL Ixex PEAK SMBus for temperature sensing and provides the power sequence controller function for AMD platform

The F71869 provides flexible features for multi-directional application. For instance, supports 3-in/out pins North Bridge Bit select controlling with offset implement., provides 45 GPIO pins (multi-pin), IRQ sharing function also designed in UART feature for particular usage and accurate current mode H/W monitor will be worth in measurement of temperature, provides 3 modes fan speed control mechanism included Manual Mode/Stage Auto Mode/Linear Auto Mode for users' selection.

These features as above description will help you more and improve product value. Finally, the F71869 is powered by 3.3V voltage, with the LPC interface in the green package of 128-PQFP.

2. Feature

● General Functions

- Comply with LPC Spec. 1.0
- Support DPM (Device Power Management), ACPI
- Support AMD power sequence controller
- 3 In/Out Bit Select
- Provides one FDC, two UARTs, Hardware KBC and Parallel Port
- H/W monitor functions
- Support AMD TSI Interface, Intel PECE interface, Intel Block Read/Write SMBus Interface
- 45 GPIO Pins for flexible application
- 24/48 MHz clock input
- Packaged in 128-PQFP and powered by 3.3VCC

● FDC

- Compatible with IBM PC AT disk drive systems

**F71869**

- Variable write pre-compensation with track selectable capability
- Support vertical recording format
- DMA enable logic
- 16-byte data FIFOs
- Support floppy disk drives and tape drives
- Detects all overrun and under run conditions
- Built-in address mark detection circuit to simplify the read electronics
- Completely compatible with industry standard 82077
- 360K/720K/1.2M/1.44M/2.88M format; 250K, 300K, 500K, 1M, 2M bps data transfer rate

UART

- Two high-speed 16C550 compatible UART with 16-byte FIFOs
- Fully programmable serial-interface characteristics
- Baud rate up to 115.2K
- Support IRQ sharing
- Support Ring-In Wakeup

Infrared

- Support IrDA version 1.0 SIR protocol with maximum baud rate up to 115.2K bps

Parallel Port

- One PS/2 compatible bi-directional parallel port
- Support Enhanced Parallel Port (EPP) – Compatible with IEEE 1284 specification
- Support Extended Capabilities Port (ECP) – Compatible with IEEE 1284 specification
- Enhanced printer port back-drive current protection

Keyboard Controller

- LPC interface support serial interrupt channel 1, 12.
- Two 16bit Programmable Address fully decoder, default 0x60 and 0x64.
- Support two PS/2 interface, one for PS/2 mouse and the other for keyboard.
- Keyboard's scan code support set1, set2.
- Programmable compatibility with the 8042.
- Support both interrupt and polling modes.
- Fast Gate A20 and Hardware Keyboard Reset.

Hardware Monitor Functions

**F71869**

- 3 dual current type ($\pm 3^{\circ}\text{C}$) thermal inputs for CPU thermal diode and 2N3906 transistors
- Temperature range $-40^{\circ}\text{C} \sim 127^{\circ}\text{C}$
- 9 sets voltage monitoring (6 external and 3 internal powers)
- High limit signal (PME#) for Vcore level
- 3 fan speed monitoring inputs
- 3 fan speed PWM/DC control outputs(support 3 wire and 4 wire fans)
- Stage auto mode (2-Limit and 3-Stage)/Linear auto mode/Manual mode
- Issue PME# and OVT# hardware signals output
- Case intrusion detection circuit
- WATCHDOG comparison of all monitored values

- **Integrate AMD TSI Interface**
- **Integrate Intel PECCI Interface**
 - PECCI Spec. 1.1A Ready
- **Support AMD Power Sequence Controller**
- **Intel Block Read/Write SMBus Interface**
- **Package**
 - 128-pin PQFP Green Package

3. Pin Configuration

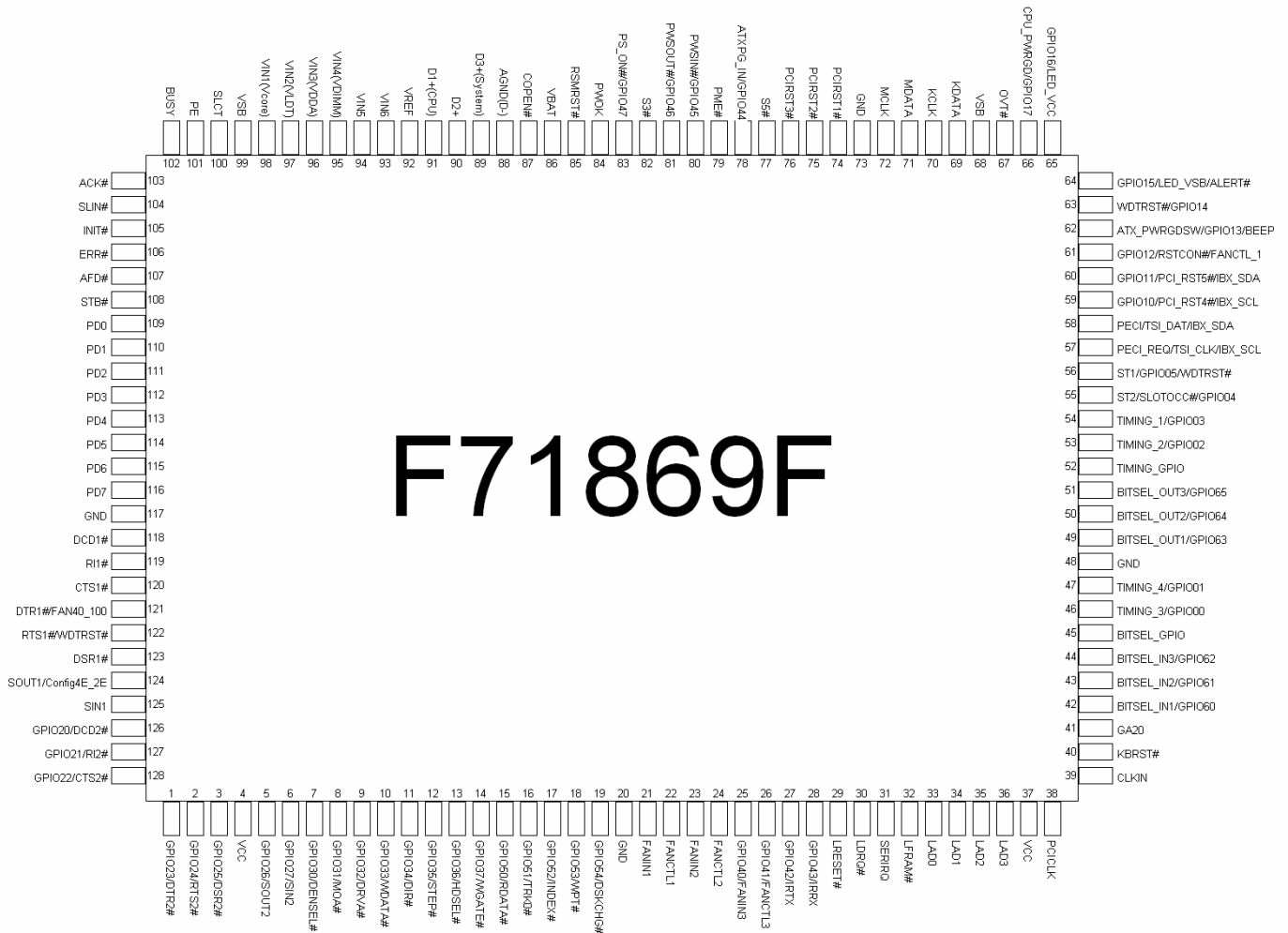


Figure1. F71869 pin configuration

4. Pin Description

I/O _{12t}	- TTL level bi-directional pin with 12 mA source-sink cap ability.
I/O _{16t-u47k}	- TTL level bi-directional pin with 16 mA source-sink cap ability. With internal 47k pull-up.
I/OOD _{12t5v}	- TTL level bi-directional pin, can select to OD or OUT by register, with 12 mA source-sink capability.
I/OD _{16t5v}	- TTL level bi-directional pin, Open-drain output with 16 mA source-sink capability, 5V tolerance.
OD _{16-5v-u10k}	- Open-drain output pin with 16 mA sink capability, pull-up 10k ohms, 5V tolerance.
I/OOD _{8st5v}	- TTL level bi-directional pin and schmitt trigger, Open-drain output with 8 mA sink capability, 5V tolerance.
I/OOD _{12st5v}	- TTL level bi-directional pin and schmitt trigger, Open-drain output with 12 mA sink capability, 5V tolerance.
I/OD _{14st5v}	- TTL level bi-directional pin and schmitt trigger, Open-drain output with 14 mA sink capability, 5V tolerance.
I _L /O _{D8-S1}	- Low level bi-directional pin (V _{IH} → 0.9V, V _{IL} → 0.6V.). Output with 8mA drive and 1mA sink capability.
I _L /OD ₁₂	- Low level bi-directional pin (V _{IH} → 0.9V, V _{IL} → 0.6V.). Output with 12mA sink capability.
O _{8t5v-u47k}	- Open-drain pin with 8 mA source-sink capability, pull-up 47k ohms, 5V tolerance.
O ₈	- Output pin with 8 mA source-sink capability.
O ₁₂	- Output pin with 12 mA source-sink capability.
O ₁₆	- Output pin with 16 mA source-sink capability.
AOUT	- Output pin(Analog).
OD ₁₂	- Open-drain output pin with 12 mA sink capability.
OD _{14-5v}	- Open-drain output pin with 14 mA sink capability, 5V tolerance.
OD _{12-5v}	- Push-pull/open-drain output pin with 12 mA sink capability, 5V tolerance.
IN _{t5v}	- TTL level input pin, 5V tolerance.
IN _{st-u47k}	- TTL level input pin and schmitt trigger. With internal pull-up 47k resistor.
IN _{st5v}	- TTL level input pin and schmitt trigger, 5V tolerance.
AIN	- Input pin(Analog).
P	- Power.

4.1 Power Pins

Pin No.	Pin Name	Type	Description
4, 37	VCC	P	Power supply voltage input with 3.3V
68	VSB	P	Stand-by power supply voltage input 3.3V
99	VDDA	P	Stand-by power supply voltage input 3.3V
86	VBAT	P	Battery voltage input
88	AGND(D-)	P	Analog GND
20, 48, 73, 117	GND	P	Digital GND



F71869

4.2 LPC Interface

Pin No.	Pin Name	Type	PWR	Description
29	LRESET#	IN _{st5v}	VCC	Reset signal. It can connect to PCIRST# signal on the host.
30	LDRQ#	O ₁₆	VCC	Encoded DMA Request signal.
31	SERIRQ	I/O _{16t-u47k}	VCC	Serial IRQ input/Output.
32	LFRAM#	IN _{st-u47k}	VCC	Indicates start of a new cycle or termination of a broken cycle.
36-33	LAD[3:0]	I/O _{16t-u47k}	VCC	These signal lines communicate address, control, and data information over the LPC bus between a host and a peripheral.
38	PCICLK	IN _{st}	VCC	33MHz PCI clock input.
39	CLKIN	IN _{st}	VCC	System clock input. According to the input frequency 24/48MHz.

4.3 FDC

Pin No.	Pin Name	Type	PWR	Description
7	GPIO30	I/OD _{14st5v}	VCC	Default General Purpose IO.
	DENSEL#	OD _{14-5v}		Drive Density Select. Set to 1 - High data rate.(500Kbps, 1Mbps) Set to 0 – Low data rate. (250Kbps, 300Kbps) FDC function is selected by register setting.
8	GPIO31	I/OD _{14st5v}	VCC	Default General Purpose IO.
	MOA#	OD _{14-5v}		Motor A On. When set to 0, this pin enables disk drive 0. This is an open drain output. FDC function is selected by register setting.
9	GPIO32	I/OD _{14st5v}	VCC	Default General Purpose IO.
	DRVA#	OD _{14-5v}		Drive Select A. When set to 0, this pin enables disk drive A. This is an open drain output. FDC function is selected by register setting.
10	GPIO33	I/OD _{14st5v}	VCC	Default General Purpose IO.
	WDATA#	OD _{14-5v}		Write data. This logic low open drain writes pre-compensation serial data to the selected FDD. An open drain output. FDC function is selected by register setting.
11	GPIO34	I/OD _{14st5v}	VCC	Default General Purpose IO.
	DIR#	OD _{14-5v}		Direction of the head step motor. An open drain output. Logic 1 = outward motion Logic 0 = inward motion FDC function is selected by register setting.
12	GPIO35	I/OD _{14st5v}	VCC	Default General Purpose IO.

	STEP#	OD _{14-5v}		Step output pulses. This active low open drain output produces a pulse to move the head to another track. FDC function is selected by register setting.
13	GPIO36	I/OD _{14st5v}	VCC	Default General Purpose IO.
	HDSEL#	OD _{14-5v}		Head select. This open drain output determines which disk drive head is active. Logic 1 = side 0 Logic 0 = side 1 FDC function is selected by register setting.
14	GPIO37	I/OD _{14st5v}	VCC	Default General Purpose IO.
	WGATE#	OD _{14-5v}		Write enable. An open drain output. FDC function is selected by register setting.
15	GPIO50	I/OOD _{12st5v}	VCC	Default General Purpose IO.
	RDATA#	IN _{st5v}		The read data input signal from the FDD. FDC function is selected by register setting.
16	GPIO51	I/OOD _{12st5v}	VCC	Default General Purpose IO.
	TRK0#	IN _{st5v}		Track 0. This Schmitt-triggered input from the disk drive is active low when the head is positioned over the outermost track. FDC function is selected by register setting.
17	GPIO52	I/OOD _{12st5v}	VCC	Default General Purpose IO.
	INDEX#	IN _{st5v}		This Schmitt-triggered input from the disk drive is active low when the head is positioned over the beginning of a track marked by an index hole. FDC function is selected by register setting.
18	GPIO53	I/OOD _{12st5v}	VCC	Default General Purpose IO.
	WPT#	IN _{st5v}		Write protected. This active low Schmitt input from the disk drive indicates that the diskette is write-protected. FDC function is selected by register setting.
19	GPIO54	I/OOD _{12st5v}	VCC	Default General Purpose IO.
	DSKCHG#	IN _{st5v}		Diskette change. This signal is active low at power on and whenever the diskette is removed. FDC function is selected by register setting.

4.4 UART and SIR

Pin No.	Pin Name	Type	PWR	Description
27	GPIO42	I/OOD _{12t5v}	VCC	Default General Purpose IO.
	IRTX	O ₁₂		Infrared Transmitter Output. The function is selected by register setting.
28	GPIO43	I/OOD _{12t5v}	VCC	Default General Purpose IO.
	IRRX	IN _{st5v}		Infrared Receiver input. The function is selected by register

				setting.
118	DCD1#	IN _{st5v}	VCC	Data Carrier Detect. An active low signal indicates the modem or data set has detected a data carrier.
119	RI1#	IN _{st5v}	VSB	Ring Indicator. An active low signal indicates that a ring signal is being received from the modem or data set.
120	CTS1#	IN _{st5v}	VCC	Clear To Send is the modem control input.
121	DTR1#	O _{8t5v-u47k}	VCC	UART 1 Data Terminal Ready. An active low signal informs the modem or data set that controller is ready to communicate. Internal 47k ohms pulled high and disable after power on strapping.
	FAN40_100	IN _{t5v}		Power on strapping pin: 1(Default): (Internal pull high) Power on fan speed default duty is 40%.(PWM) 0: (External pull down) Power on fan speed default duty is 100%.(PWM)
122	RTS1#	O _{8t5v-u47k}	VCC	UART 1 Request To Send. An active low signal informs the modem or data set that the controller is ready to send data. Internal 47k ohms pulled high and disable after power on strapping.
123	DSR1#	IN _{st5v}	VCC	Data Set Ready. An active low signal indicates the modem or data set is ready to establish a communication link and transfer data to the UART.
124	SOUT1	O _{8t5v-u47k}	VCC	UART 1 Serial Output. Used to transmit serial data out to the communication link. Internal 47k ohms pulled high and disable after power on strapping.
	Config4E_2E	IN _{t5v}		Power on strapping: 1(Default): Configuration register 4E 0: Configuration register 2E
125	SIN1	IN _{st5v}	VCC	Serial Input. Used to receive serial data through the communication link.
126	GPIO20	I/OOD _{8st5v}	VCC	Default General Purpose IO.
	DCD2#	IN _{st5v}		Data Carrier Detect. An active low signal indicates the modem or data set has detected a data carrier. The function is selected by register setting.
127	GPIO21	I/OOD _{8st5v}	VSB	Default General Purpose IO.
	RI2#	IN _{st5v}		Ring Indicator. An active low signal indicates that a ring signal is being received from the modem or data set. The function is selected by register setting.
128	GPIO22	I/OOD _{8st5v}	VCC	Default General Purpose IO.
	CTS2#	IN _{st5v}		Clear To Send is the modem control input. The function is selected by register setting.
1	GPIO23	I/OOD _{8st5v}	VCC	Default General Purpose IO.
	DTR2#	O _{8t5v-u47k}		UART 2 Data Terminal Ready. An active low signal informs the modem or data set that controller is ready to communicate. Internal 47k ohms pulled high and disable after


F71869

				power on strapping. The function is selected by register setting.
2	GPIO24	I/OOD _{8st5v}	VCC	Default General Purpose IO.
	RTS2#	O _{8t5v-u47k}		.UART 2 Request To Send. An active low signal informs the modem or data set that the controller is ready to send data. Internal 47k ohms pulled high and disable after power on strapping. The function is selected by register setting.
3	GPIO25	I/OOD _{8st5v}	VCC	Default General Purpose IO.
	DSR2#	IN _{st5v}		Data Set Ready. An active low signal indicates the modem or data set is ready to establish a communication link and transfer data to the UART. The function is selected by register setting.
5	GPIO26	I/OOD _{8st5v}	VCC	Default General Purpose IO.
	SOUT2	O _{8t5v-u47k}		UART 2 Serial Output. Used to transmit serial data out to the communication link. Internal 47k ohms pulled high and disable after power on strapping. The function is selected by register setting.
6	GPIO27	I/OOD _{8st5v}	VCC	Default General Purpose IO.
	SIN2	IN _{st5v}		Serial Input. Used to receive serial data through the communication link. The function is selected by register setting.

4.5 Parallel Port

Pin No.	Pin Name	Type	PWR	Description
100	SLCT	IN _{st5v}	VCC	An active high input on this pin indicates that the printer is selected. Refer to the description of the parallel port for definition of this pin in ECP and EPP mode.
101	PE	IN _{st5v}	VCC	An active high input on this pin indicates that the printer has detected the end of the paper. Refer to the description of the parallel port for the definition of this pin in ECP and EPP mode.
102	BUSY	IN _{st5v}	VCC	An active high input indicates that the printer is not ready to receive data. Refer to the description of the parallel port for definition of this pin in ECP and EPP mode.
103	ACK#	IN _{st5v}	VCC	An active low input on this pin indicates that the printer has received data and is ready to accept more data. Refer to the description of the parallel port for the definition of this pin in ECP and EPP mode.
104	SLIN#	I/OOD _{12st5v}	VCC	Output line for detection of printer selection. Refer to the description of the parallel port for the definition of this pin in ECP and EPP mode.
105	INIT#	I/OOD _{12st5v}	VCC	Output line for the printer initialization. Refer to the description of the parallel port for the definition of this pin in


F71869

				ECP and EPP mode.
106	ERR#	IN _{st5v}	VCC	An active low input on this pin indicates that the printer has encountered an error condition. Refer to the description of the parallel port for the definition of this pin in ECP and EPP mode.
107	AFD#	I/OOD _{12st5v}	VCC	An active low output from this pin causes the printer to auto feed a line after a line is printed. Refer to the description of the parallel port for the definition of this pin in ECP and EPP mode.
108	STB#	I/OOD _{12st5v}	VCC	An active low output is used to latch the parallel data into the printer. Refer to the description of the parallel port for the definition of this pin in ECP and EPP mode.
109	PD0	I/O _{12st5v}	VCC	Parallel port data bus bit 0. Refer to the description of the parallel port for the definition of this pin in ECP and EPP mode.
110	PD1	I/O _{12st5v}	VCC	Parallel port data bus bit 1.
111	PD2	I/O _{12st5v}	VCC	Parallel port data bus bit 2.
112	PD3	I/O _{12st5v}	VCC	Parallel port data bus bit 3.
113	PD4	I/O _{12st5v}	VCC	Parallel port data bus bit 4.
114	PD5	I/O _{12st5v}	VCC	Parallel port data bus bit 5.
115	PD6	I/O _{12st5v}	VCC	Parallel port data bus bit 6.
116	PD7	I/O _{12st5v}	VCC	Parallel port data bus bit 7.

4.6 Hardware Monitor

Pin No.	Pin Name	Type	PWR	Description
93	VIN6	AIN	VDDA	Voltage input 6.
94	VIN5	AIN	VDDA	Voltage input 5.
95	VIN4 (VDIMM)	AIN	VDDA	Voltage input 4 or VDIMM input used in AMD platform. The input voltage level for timing control usage must be over 1V after voltage divider.
96	VIN3 (VDDA)	AIN	VDDA	Voltage input 3 or VDDA input used in AMD platform. The input voltage level for timing control usage must be over 1V after voltage divider.
97	VIN2 (VLDT)	AIN	VDDA	Voltage input 2 or VLDT input used in AMD platform. The input voltage level for timing control usage must be over 1V after voltage divider.
98	VIN1 (Vcore)	AIN	VDDA	Voltage Input for Vcore. The input voltage level for timing control usage must be over 0.7V.
21	FANIN1	IN _{st5v}	VCC	Fan 1 tachometer input.
22	FANCTL1	OOD _{12-5v} AOUT	VCC	Fan 1 control output. This pin provides PWM duty-cycle output or a voltage output.
23	FANIN2	IN _{st5v}	VCC	Fan 2 tachometer input.
24	FANCTL2	OOD _{12-5v}	VCC	Fan 2 control output. This pin provides PWM duty-cycle

		AOUT		output or a voltage output.
25	GPIO40	I/OD _{12st5v}	VCC	Default General Purpose IO.
	FANIN3	IN _{st5v}		Fan 3 speed input. This function is selected by register setting.
26	GPIO41	I/OD _{12st5v}	VCC	Default General Purpose IO. This pin default function is GPIO function. Please take care the application if user want to implement FANCTL function.
	FANCTL3*	OOD _{12-5v} AOUT		Fan 3 control output. This pin provides PWM duty-cycle output or a voltage output.
57	PECI_REQ#	OD ₁₂	VSB	PECI REQUEST signal. Selected by TIMING_GPIO trap pin.
	TSI_CLK	I/OD _{125v}		AMD TSI interface clock output. Selected by TIMING_GPIO trap pin.
	IBX_SCL	OD ₁₂		INTEL IBex PEAK platform hardware monitor interface clock output. Selected by register.
58	PECI	I _{Lv} /O _{D8-S1}	VSB	Intel Peci hardware monitor interface. When TIMING_GPIO pin is set in GPIO function (INTEL mode). Peci function can be set by the register.
	TSI_DAT	I _{Lv} /OD ₁₂		AMD TSI interface data input. When TIMING_GPIO pin is set in TIMING function (AMD mode). TSI function can be set by the register.
	IBX_SDA	I _{Lv} /OD ₁₂		INTEL IBex PEAK platform hardware monitor interface input. When TIMING_GPIO pin is set in GPIO function (INTEL mode). IBX function can be set by the register.
89	D3+(System)	AIN	VDDA	Thermal diode/transistor temperature sensor input for system use.
90	D2+	AIN	VDDA	Thermal diode/transistor temperature sensor input.
91	D1+(CPU)	AIN	VDDA	CPU thermal diode/transistor temperature sensor input. This pin is for CPU use.
92	VREF	AOUT	VDDA	Voltage sensor output.
79	PME#	OD _{12-5v-u47k}	VSB	Generated PME event. It supports the PCI PME# interface. This signal allows the peripheral to request the system to wake up from the S3 state.
63	WDTRST#	OD _{12-5v}	VSB	Watch dog timer signal output.
	GPIO14	I/OD _{12st5v}		General Purpose IO. GPIO function is selected by register setting
67	OVT#	OD _{12-5v}	VSB	Over temperature signal output.

4.7 ACPI Function Pins

Pin No.	Pin Name	Type	PWR	Description
59	GPIO10	I/OD _{12st5v}	VSB	Default General Purpose IO. GPIO function is selected by register setting

	PCI_RST4#	O _{12-5v}		It is an output buffer of LRESET#. This function is selected by register setting.
	IBX_SCL	I/OD _{125v}		INTEL IBex PEAK platform hardware monitor interface clock output. This function is selected by register setting.
60	GPIO11	I/OOD _{12st5}	VSB	Default General Purpose IO.
	PCI_RST5#	O _{12-5v}		It is an output buffer of LRESET#. This function is selected by register setting.
	IBX_SDA	I/OD _{125v}		INTEL IBex PEAK platform hardware monitor interface input. This function is selected by register setting.
61	GPIO12	I/OOD _{12st5v}	VSB	Default General Purpose IO.
	RSTCON#	IN _{st5v}		It is an output buffer of RSTCON#. This function is selected by register setting.
	FANCTL1	OOD _{12-5v} AOUT		Fan 1 control output. This pin provides PWM duty-cycle output or a voltage output. This function is selected by register setting.
64	GPIO15	I/OOD _{12st5v}	VSB	Default General Purpose IO.
	LED_VSB	OD _{12-5v}		Power LED for VSB. This function is selected by register setting.
	ALERT#	OD _{12-5v}		Alert a signal when temperature over limit setting. This function is selected by register setting.
65	GPIO16	I/OOD _{12st5v}	VSB	Default General Purpose IO.
	LED_VCC	OD _{12-5v}		Power LED for VCC. This function is selected by register setting.
66	CPU_PWRGD	OD _{12-5v}	VSB	CPU Power Good signal output (Detected by VIN1~VIN4 level good)
	GPIO15	I/OOD _{12st5v}		General Purpose IO. GPIO function is selected by register setting
74	PCIRST1#	OD _{12-5v}	VSB	It is an output buffer of LRESET#.
75	PCIRST2#	O _{12-5v}	VSB	It is an output buffer of LRESET#.
76	PCIRST3#	O _{12-5v}	VSB	It is an output buffer of LRESET#.
77	S5#	IN _{st5v-u47k}	VSB	S5# signal input.
78	GPIO44	I/OOD _{12st5v}	VSB	Default General Purpose IO.
	ATXPG_IN	IN _{st5v}		ATX Power Good input.
84	PWROK	OD _{12-5v}	VBAT	PWROK function, It is power good signal of VCC, which is delayed 400ms (default) as VCC arrives at 2.8V.
80	PWSIN#	IN _{ts5v}	VSB	Main power switch button input.
81	PWSOUT#	OD _{12-5v-u47k}	VSB	Panel Switch Output. This pin is low active and pulse output. It is power on request output#.
82	S3#	IN _{st5v-u47k}	VSB	S3# Input is Main power on-off switch input.
83	PS_ON#	OD _{12-5v}	VSB	Power supply on-off control output. Connect to ATX power supply PS_ON# signal.
85	RSMRST#	OD _{12-5v-u10k}	VBAT	Resume Reset# function, It is power good signal of VSB, which is delayed 66ms as VSB arrives at 2.8V.
87	COPEN#	IN _{st5v}	VBAT	Case Open Detection #. This pin is connected to a specially designed low power CMOS flip-flop backed by the battery for case open state preservation during power loss.



4.8 Bit Select and Others

Pin No.	Pin Name	Type	PWR	Description
42-44	BITSEL_IN[1:3]	IN _{st-lv}	VSB	North bridge bit select input pins. Special level input VIH → 0.9, VIL → 0.6
	GPIO[60:62]	I/OOD _{12st5v}		General Purpose IO. GPIO function is selected by register setting
45	BITSEL_GPIO	IN _{st5v-u47k}	VSB	Bit select or GPIO trap pin
46	TIMING_3	OD _{12-5v}	VSB	Active high. Timing sequence 3 of power on/off sequence pins. The external pull high resistor is required. (Detected by VIN3 level good)
	GPIO00	I/OOD _{12st5v}		General Purpose IO. GPIO function is selected by register setting
47	TIMING_4	OD _{12-5v}	VSB	Active high. Timing sequence 4 of power on/off sequence pins. The external pull high resistor is required. (Detected by VIN1 level good)
	GPIO01	I/OOD _{12st5v}		General Purpose IO. GPIO function is selected by register setting
49-51	BITSEL_OUT [1:3]	OD _{12-5v}	VSB	North bridge bit select output pins. Special level input VIH → 0.9, VIL → 0.6
	GPIO[63:65]	I/OOD _{12t}		General Purpose IO. GPIO function is selected by register setting
52	TIMING_GPIO	IN _{st5v-u47k}	VSB	Timing sequence or GPIO trap pin
53	TIMING_2	OD _{12-5v}	VSB	Active high. Timing sequence 2 of power on/off sequence pins. The external pull high resistor is required. (Detected by VIN4 level good)
	GPIO02	I/OOD _{12st5v}		General Purpose IO. GPIO function is selected by register setting
54	TIMING_1	OD _{12-5v}	VSB	Active high. Timing sequence 1 of power on/off sequence pins. The external pull high resistor is required. (Output detected by VCCOK level good, ref Figure 16)
	GPIO03	I/OOD _{12st5v}		General Purpose IO. GPIO function is selected by register setting
55	ST2	OD ₁₂	VSB	Status Pin2 for S0#/S3#/S5# states application. (Default function) In S0# → ST2 pin status is Tri-state. In S3# → ST2 pin status is Low level. In S5# → ST2 pin status is Tri-state, and can be programmed Low level.
	SLOT0CC#	IN _{st5v}		CPU SLOT0CC# input.


F71869

	GPIO04	OD _{12-5v}		General Purpose IO. GPIO function is selected by register setting
56	ST1	OD ₁₂	VSB	Status Pin1 for S0#/S3#/S5# states application. (Default function) In S0# → ST1 pin status is Tri-state. In S3# → ST1 pin status is Low level. In S5# → ST1 pin status is Tri-state.
	GPIO03	I/OD _{12st5v}		General Purpose IO. GPIO function is selected by register setting
	WDTRST#	OD _{12-5v}		Watch dog timer signal output.
62	ATX_PWRGDSW	OD _{24-5v}	VSB	ATX_PWRGDSW for S0#/S3#/S5# states application. In S0# → ATX_PWRGDSW pin status is Low-state. In S3# → ATX_PWRGDSW pin status is Tri-state. In S5# → ATX_PWRGDSW pin status is Tri-state, and can be programmed Low-state.
	GPIO13	I/OD _{24st5v}		General Purpose IO. GPIO function is selected by register setting
	BEEP	OD _{24-5v}		Beep pin.

4.9 KBC Function

Pin No.	Pin Name	Type	PWR	Description
40	KBRST#	OD _{16-5v-u10k}	VCC	Keyboard reset. This pin is high after system reset. Internal pull high 3.3V with 10k ohms. (KBC P20)
41	GA20	OD _{16-5v-u10k}	VCC	Gate A20 output. This pin is high after system reset. Internal pull high 3.3V with 10k ohms. (KBC P21)
69	KDATA	I/OD _{16st5v}	VSB	Keyboard Data.
70	KCLK	I/OD _{16st5v}	VSB	Keyboard Clock.
71	MDATA	I/OD _{16st5v}	VSB	PS2 Mouse Data.
72	MCLK	I/OD _{16st5v}	VSB	PS2 Mouse Clock.



5. Functional Description

5.1 Power Trap Operation

The F71869 provides four pins for power on hardware strapping to select functions. There is a form to describe how to set the functions you want.

Table1. Power on trap configuration

Pin No.	Symbol	Value	Description
52	TIMING_GPIO	1	Set pin 46, 47, 53, 54 as timing sequence output
		0	Set pin 46, 47, 53, 54 as GPIO (Default)
45	BITSEL_GPIO	1	Set pin 42, 43, 44 as bit select input and pin 49, 50, 51 as bit select output (Default)
		0	Set pin 42~44, 49~51 as GPIO
121	FAN40_100	1	Power on Fan speed default duty is 40%(PWM)(Default)
		0	Power on Fan speed default duty is 100%(PWM)
124	Config4E_2E	1	Configuration Register I/O port is 4E/4F. (Default)
		0	Configuration Register I/O port is 2E/2F.
22	FAN1_PWM_DC	1	FANCTRL1 is PWM mode.
		0	FANCTRL1 is DAC mode.
24	FAN2_PWM_DC	1	FANCTRL2 is PWM mode.
		0	FANCTRL2 is DAC mode.
26	FAN3_PWM_DC	1	FANCTRL3 is PWM mode.
		0	FANCTRL3 is DAC mode.

5.2 Hardware Monitor

For the 8-bit ADC has the 8mv LSB, the maximum input voltage of the analog pin is 2.048V. Therefore the voltage under 2.048V (ex: 1.5V) can be directly connected to these analog inputs. The voltage higher than 2.048V should be reduced by a factor with external resistors so as to obtain the input range. Only 3VCC/VSB/VBAT is an exception for it is main power of the F71869. Therefore 3VCC/VSB/VBAT can directly connect to this chip's power pin and need no external resistors. There are two functions in this pin with 3.3V. The first function is to supply internal analog power of the F71863 and the second function is that voltage with 3.3V is connected to internal serial resistors to monitor the +3.3V voltage. The internal serial resistors are two 150K ohm, so that the internal reduced voltage is half of +3.3V.

There are four voltage inputs in the F71869 and the voltage divided formula is shown as follows:

$$VIN = V_{+12V} \times \frac{R_2}{R_1 + R_2} \quad \text{where } V_{+12V} \text{ is the analog input voltage, for example.}$$

If we choose $R_1=27K$, $R_2=5.1K$, the exact input voltage for V_{+12V} will be 1.907V, which is within the tolerance. As for application circuit, it can be refer to the figure shown as follows.

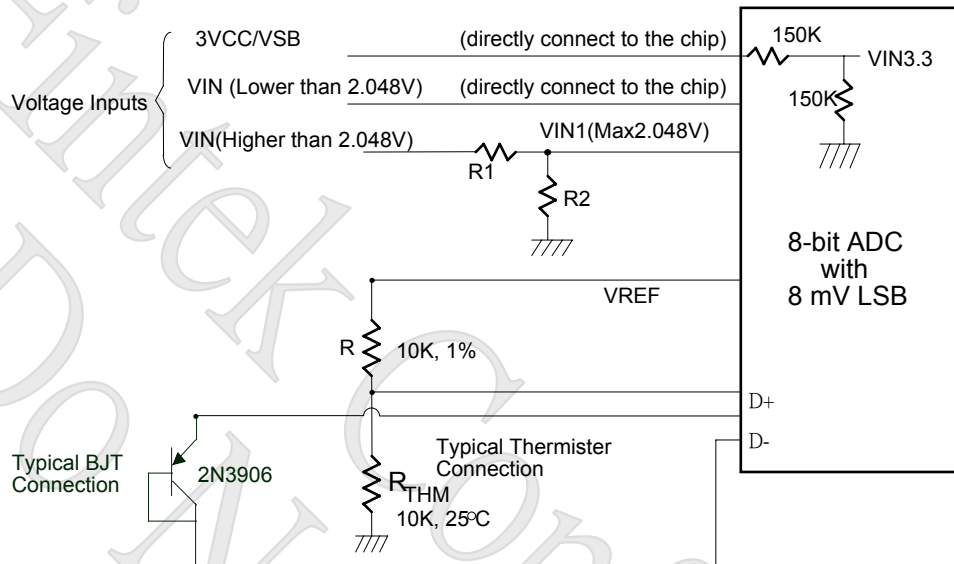


Figure 2. Hardware monitor configuration

The F71869 monitors three remote temperature sensors. These sensors can be measured from -40°C to 127°C . More detail please refer register description.

Table 3. Remote-sensor transistor manufacturers

Manufacturer	Model Number
Panasonic	2SB0709 2N3906
Philips	PMBT3906

5.2.1 Table Range:

Table 4. Display range is from -40°C to 127°C in 2's complement format.

Temperature	Digital Output
-40°C	1101 1000
-1°C	1111 1111
1°C	0000 0001
90°C	0101 1010



F71869

127°C	1111 1111
Open	1000 0000

5.2.2 Monitor Temperature from “Thermistor”

The F71869 can connect three thermistors to measure environment temperature or remote temperature. The specification of thermistor should be considered to (1) β value is 3435K (2) resistor value is 10K ohm at 25°C. In the Figure 2, the thermistor is connected by a serial resistor with 10K ohm, then being connected to VREF.

5.2.3 Monitor Temperature from “Thermal diode”

Also, if the CPU, GPU or external circuits provide thermal diode for temperature measurement, the F71869 is capable to these situations. The build-in reference table is for PNP 2N3906 transistor. In the Figure 2, the transistor is directly connected into temperature pins.

5.2.4 ADC Noise Filtering

The ADC is integrating type with inherently good noise rejection. Micro-power operation places constraints on high-frequency noise rejection; therefore, careful PCB board layout and suitable external filtering are required for high-accuracy remote measurement in electronically noisy environment. High frequency EMI is best filtered at D+ and D- with an external 2200pF capacitor. Too high capacitance may introduce errors due to the rise time of the switched current source. Nearly all noise sources tested cause the ADC measurement to be higher than the actual temperature, depending on the frequency and amplitude.

5.2.5 Monitor Temperature from “SMBus device”

F71869 provides SMBus block read/write compatible Platform Control Hub (PCH) EC SMBus protocol, and provides byte read/write protocol to read CPU and chipset thermal temperature information. For byte read /write protocol, F71869 supports 4-suit device address to read or write from device information. For block read/write, F71869 support 1 suits device address and maximum 17 byte count for read protocol to read from device information, and 4 byte count for write protocol to write information to device.

5.2.6 Monitor Temperature from “PECI”

F71869 support Intel PECI1.1/PECI_Request/PECI_Available interfaces to read temperature from PECI 1.1 device.

F71869

5.2.7 Temperature HM_IRQ Signal (HM_IRQ# and PME#)

There are two mode of temperature (t1 to t4) HM_IRQ function, and refer t1 to t4 temperature in the Figure 3 and 4.

1. Hysteresis mode:

Over temperature event will trigger HM_IRQ# that shown as figure. In hysteresis mode, when monitored temperature exceeds the high temperature threshold value, HM_IRQ# will be asserted until the temperature goes below the hysteresis temperature.

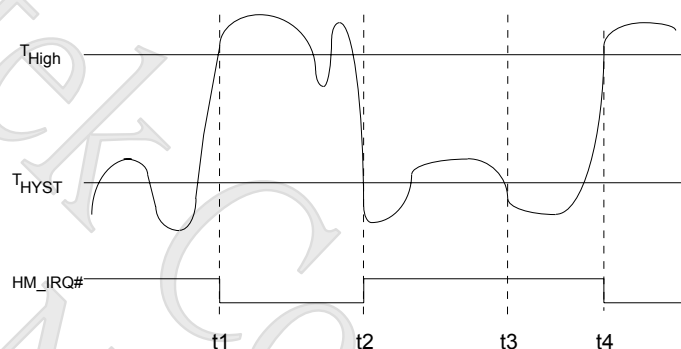


Figure 3

2. High low limit mode: (default):

When in high low limit mode HM_IRQ# for temperature is shown as figure. When monitored temperature exceeds the over-temperature threshold value, HM_IRQ# will be asserted until the temperature goes below the low limit temperature.

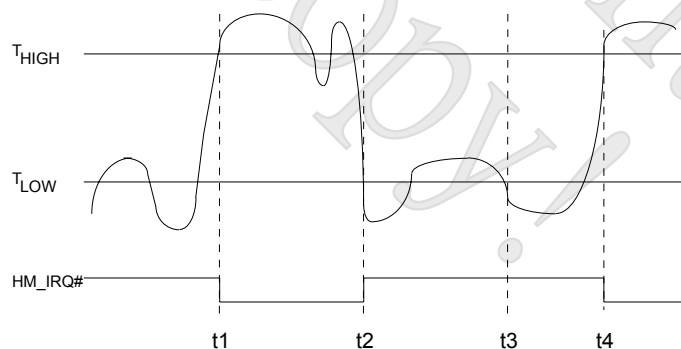


Figure 4

5.2.8 Temperature PME#

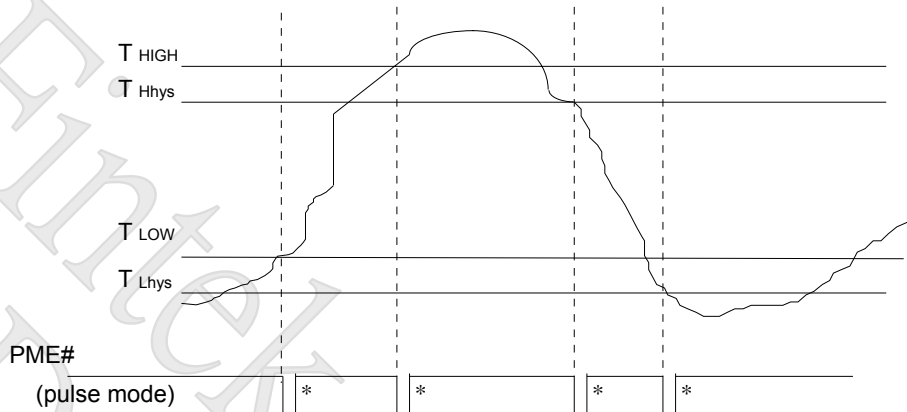
There are two mode of temperature PME# function:

1. Hysteresis mode:



F71869

PME# interrupt for temperature is shown as figure. Temperature exceeding high limit (low limit) or going below high hysteresis (low hysteresis) will cause an interrupt if the previous interrupt has been reset by writing "1" all the interrupt Status Register.

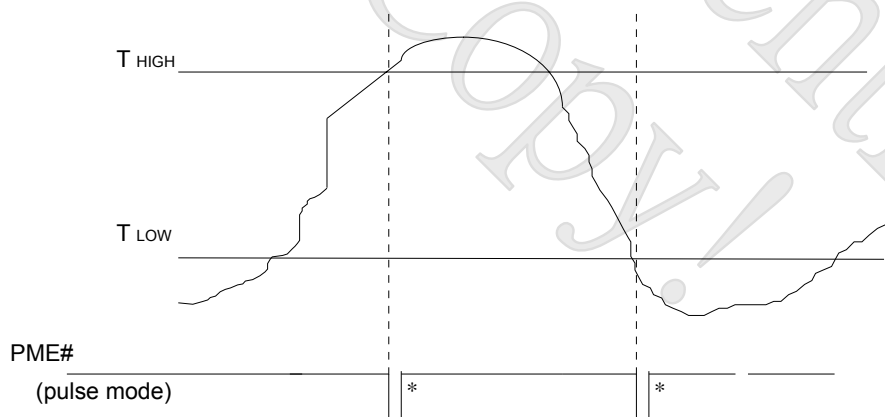


*Interrupt Reset when Interrupt Status Registers are written 1

Figure 5 Hysteresis mode illustration

2. High low limit mode: (default):

PME# interrupt for temperature is shown as figure. Temperature exceeding high limit or going below low limit will cause an interrupt if the previous interrupt has been reset by writing "1" all the interrupt Status Register.



*Interrupt Reset when Interrupt Status Registers are written 1

Figure 6 High low limit mode illustration

5.2.9 Fan Speed Count

Inputs are provided by the signals from fans equipped with tachometer outputs. The level of these signals should be set to TTL level, and maximum input voltage cannot be over 5V. If the input signals from the tachometer outputs are over the 5V, the external trimming circuit should be added to reduce the voltage to obtain the input specification.

Determine the fan counter according to:

$$Count = \frac{1.5 \times 10^6}{RPM}$$

In other words, the fan speed counter has been read from register, the fan speed can be evaluated by the following equation. As for fan, it would be best to use 2 pulses tachometer output per round.

$$RPM = \frac{1.5 \times 10^6}{Count}$$

5.2.10 Fan Speed Control

The F71869 provides 2 fan speed control methods: one is DAC FAN control and the other is PWM duty cycle.

1. DAC Fan Control

The range of DC output is 0~3.3V, controlled by 8-bit register. 1 LSB is about 0.013V. The output DC voltage is amplified by external OP circuit, thus to reach maximum FAN OPERATION VOLTAGE, 12V. The output voltage will be given as followed:

$$Output_voltage (V) = 3.3 \times \frac{\text{Programmed 8bit Register Value}}{255}$$

And the suggested application circuit for DAC fan control would be:

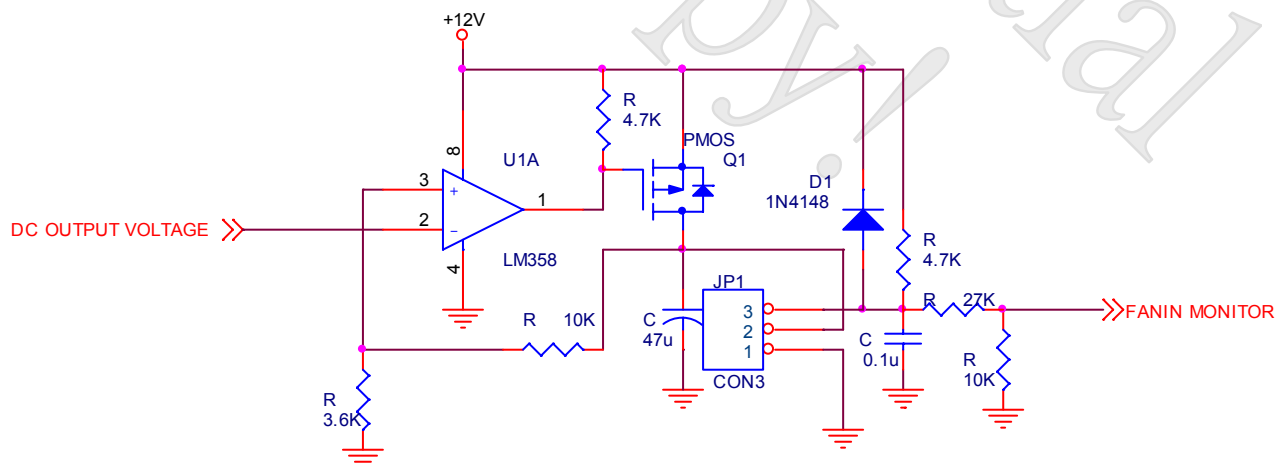


Figure 7 DAC fan control application circuit

2. PWM duty Fan Control

The duty cycle of PWM can be programmed by a 8-bit register. The default duty cycle is set to 100%, that is, the default 8-bit registers is set to FFh. The expression of duty can be represented as follows.

$$\text{Duty_cycle(\%)} = \frac{\text{Programmed 8bit Register Value}}{255} \times 100\%$$

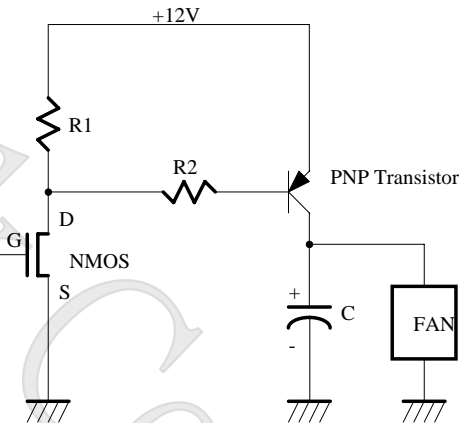


Figure 8 +12/5V PWM fan control application circuit

5.2.11 Fan Speed Control Mechanism

There are some modes to control fan speed and they are 1. Manual mode, 2. Stage auto mode 3. Linear auto mode. More detail, please refer the description of registers.

Each fan can be controlled by up to 8 kinds of temperature input. (1) D1+ temperature (2) D2+ temperature (3) D3+ temperature (4) PECl temperature (5) 4 suits SMBus master temperature. Please refer below structure diagram.

After the T0 ~ T7 setting ready, select S1 ~ S4 temperature machine from T0 ~ T7, these 4-set temperature data are for maximum temperature comparison.

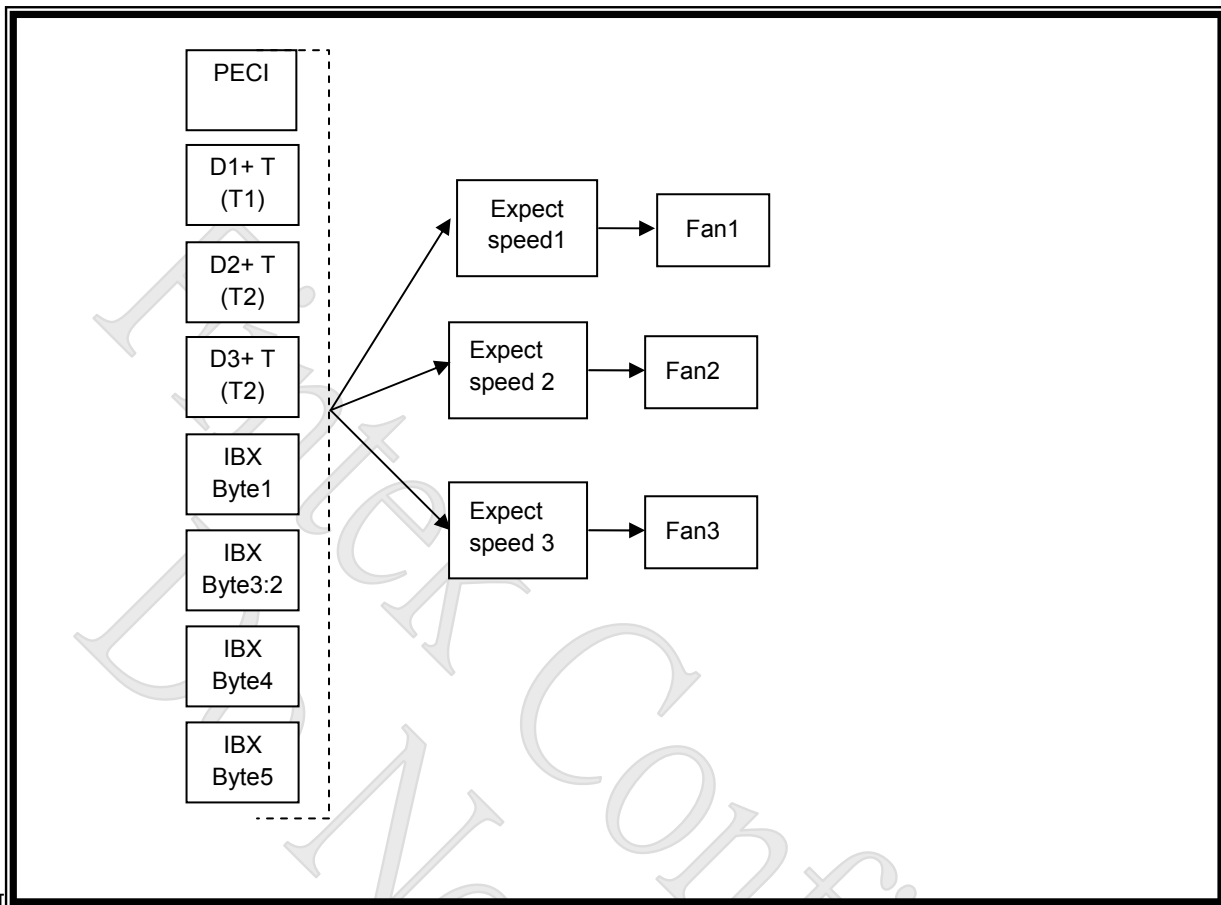


Figure 9 Relative temperature fan control

1. Manual mode

For manual mode, it generally acts as software fan speed control.

2. Stage auto mode

At this mode, the F71869 provides automatic fan speed control related to temperature variation of CPU/GPU or the system. The F71869 can provide two temperature boundaries and three intervals, and each interval has its related fan speed PWM duty. All these values should be set by BIOS first. Take figure 6-10 as example. When temperature boundaries are set as 45 and 75°C and there are three intervals. The related desired fan speed for every interval is 40%, 80% and 100% (fixed). When the temperature is within 45~75°C, the fan speed will follow 80% PWM duty and that define in registers. It can be said that the fan will be turned on with a specific speed set by BIOS and automatically controlled with the temperature variation. The F71869 will take charge of all the fan speed control without software support.

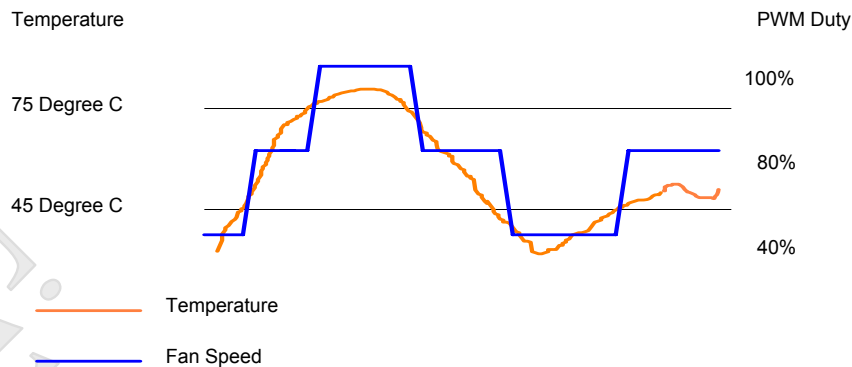
F71869


Figure 10 Stage mode fan control illustration-1

Below is a sample for Stage auto mode:

Set temperature as 60°C, 40°C and Duty as 100%, 70%, 50%

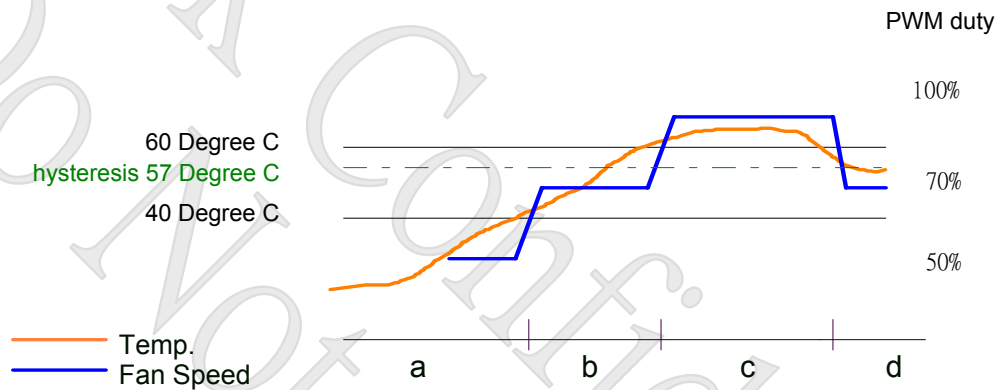


Figure 11 Stage mode fan control illustration-2

- Once temp. is under 40°C, the lowest fan speed keeps 50% PWM duty
- Once temp. is over 40°C, 60°C, the fan speed will vary from 70% to 100% PWM duty and increase with temperature
- Once temp. keeps in 55°C, fan speed keeps in 70% PWM duty
- If set the hysteresis as 3°C (default 4°C), once temp reduces under 57°C, fan speed reduces to 70% PWM duty and stays there.

3. Linear auto mode

Otherwise, F71869 supports linear auto mode. Below has an example to describe this mode. More detail, please refer the register description.

Set temperature as 70°C, 40°C and Duty as 100%, 70%, 40%

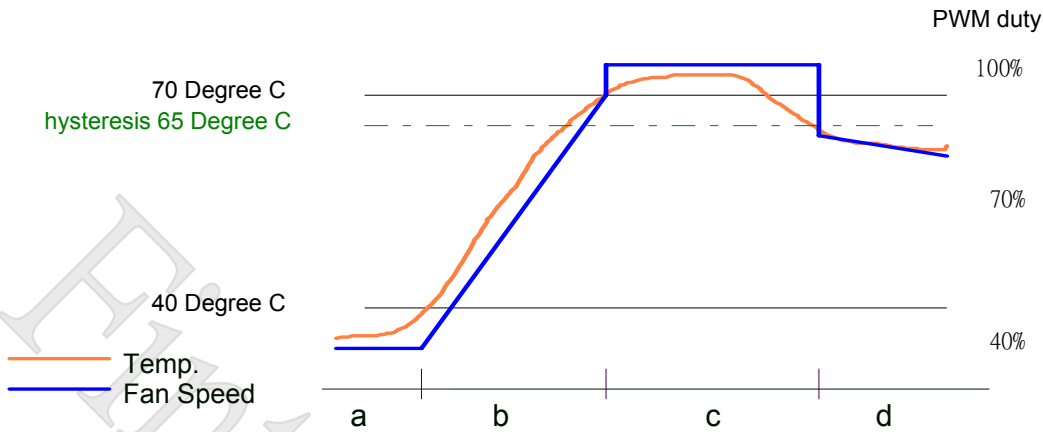


Figure 12 Linear mode fan control illustration

- Once temp. is under 40°C, the lowest fan speed keeps 40% PWM duty
- Once temp. is over 40°C and under 70°C, the fan speed will vary from 40% to 70% PWM duty and linearly increase with temp. variation. The temp.-fan speed monitoring and flash interval is 1sec.
- Once temp. goes over 70°C, fan speed will directly increase to 100% PWM duty (full speed)
- If set the hysteresis as 5°C (default is 4°C), once temp reduces under 65°C (not 70°C), fan speed reduces from 100% PWM duty and decrease linearly with temp..

5.2.12 FAN_FAULT#

Fan_Fault# will be asserted when the fan speed doesn't meet the expected fan speed within a programmable period (default is 11 seconds) or when fan stops with respect to PWM duty-cycle which should be able to turn on the fan. There are two conditions may cause the FAN_FAULT# event.

- When PWM_Duty reaches 0xFF, the fan speed count can't reach the fan expected count in time.

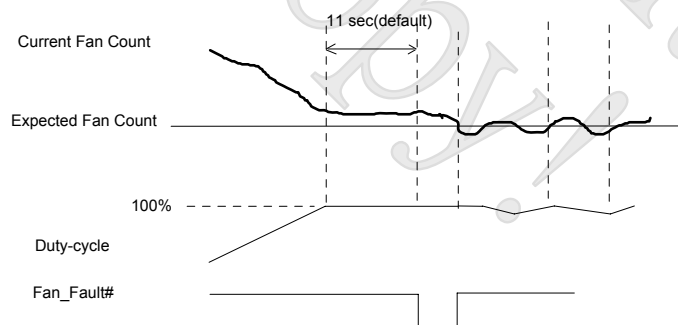


Figure 13 FAN_FAULT# event

- After the period of detecting fan full speed, PWM_Duty > Min. Duty, fan count is still in 0xFFFF.

5.3 ACPI Function

The Advanced Configuration and Power Interface (ACPI) is a system for controlling the use of power in a computer. It lets computer manufacturer and user to determine the computer's power usage dynamically.

There are three ACPI states that are of primary concern to the system designer and they are designated S0, S3 and S5. S0 is a full-power state; the computer is being actively used in this state. The other two are called sleep states and reflect different power consumption when power-down. S3 is a state that the processor is powered down but the last procedural state is being stored in memory which is still active. S5 is a state that memory is off and the last procedural state of the processor has been stored to the hard disk. Take S3 and S5 as comparison, since memory is fast, the computer can quickly come back to full-power state, the disk is slower than the memory and the computer takes longer time to come back to full-power state. However, since the memory is off, S5 draws the minimal power comparing to S0 and S3.

It is anticipated that only the following state transitions may happen:

$S0 \rightarrow S3$, $S0 \rightarrow S5$, $S5 \rightarrow S0$, $S3 \rightarrow S0$ and $S3 \rightarrow S5$.

Among them, $S3 \rightarrow S5$ is illegal transition and won't be allowed by state machine. It is necessary to enter S0 first in order to get to S5 from S3. As for transition $S5 \rightarrow S3$ will occur only as an immediate state during state transition from $S5 \rightarrow S0$. It isn't allowed in the normal state transition.

The below diagram described the timing, the always on and always off, keep last state could be set in control register. In keep last state mode, one register will keep the status of before power loss. If it is power on before power loss, it will remain power on when power is resumed, otherwise, if it is power off before power loss, it will remain power off when power is resumed.

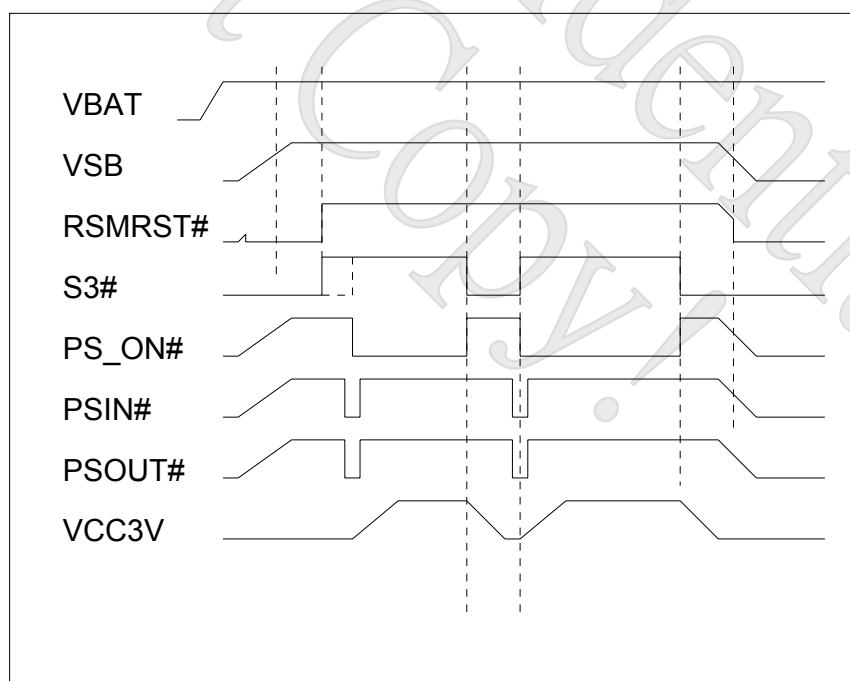


Figure 14 Default timing: Always off

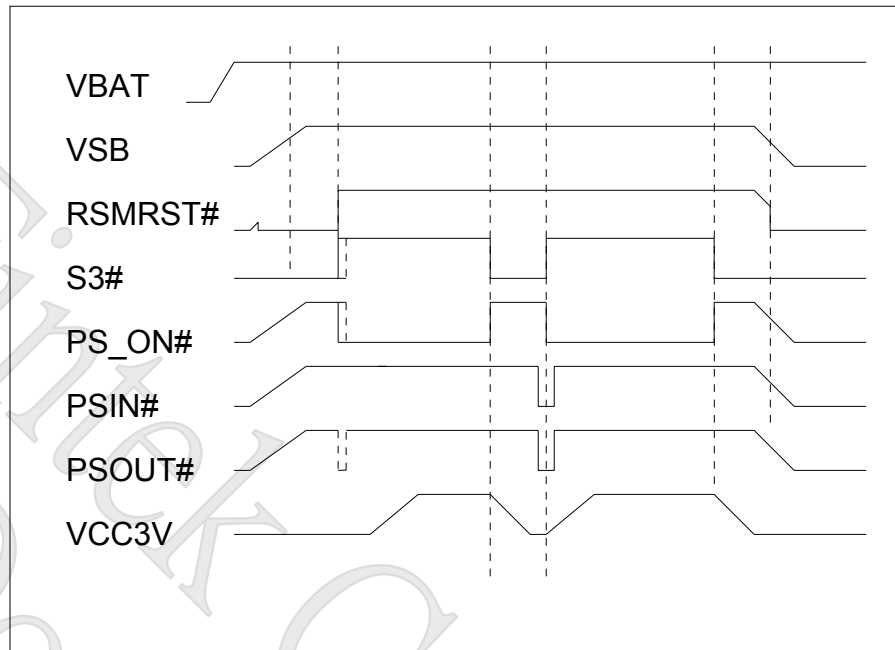
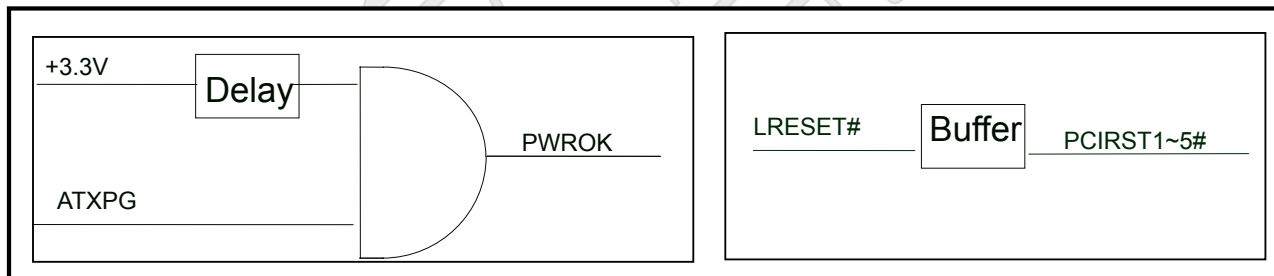


Figure 15 Optional timing: Always on

PCI Reset and PWROK Signals

The F71869 supports 5 output buffers for 5 reset signals.



So far as the PWROK issue is as the figure above. PWROK is delayed 400ms (default) as VCC arrives 2.8V, and the delay timing can be programmed by register (100ms ~ 400ms). An additional delay could be added to PWROK (0ms, 100ms, 200ms and 400ms). Default is 0ms. If RSTCION# and PCIRST4#/PCIRST5# are enabled, RSTCON# could be programmed to be asserted via PWROK or PCIRST4#/PCIRST5#.

5.4 Timing Control Sequence

The F71869 offers 4 timing pins which are designed for AMD platform power sequence control including VDIMM, VDDA, Vcore, and VLDT (default) or other timing application purposes. All the timings on/off are relative to S3#/S5# and can be programmed by the register 0x0AF7. As shown in the Figure 20, the default timings of TIMING_1~4 are displayed in blue lines, and all the timings are enabled in the

F71869

S0 state except TIMING_1. However, TIMING_2~4 can be programmed to enable in the S3 state, and TIMING_1 can also be programmed to disable in the S3 state, like the dotted blue line shown in the Figure 20.

VDDOK_D400 is the PWROK delay timing from VDD3VOK. The default setting is that delay 400ms, there are 100ms, 200ms, and 300ms for option. It can be set in the register 0x0AF5.

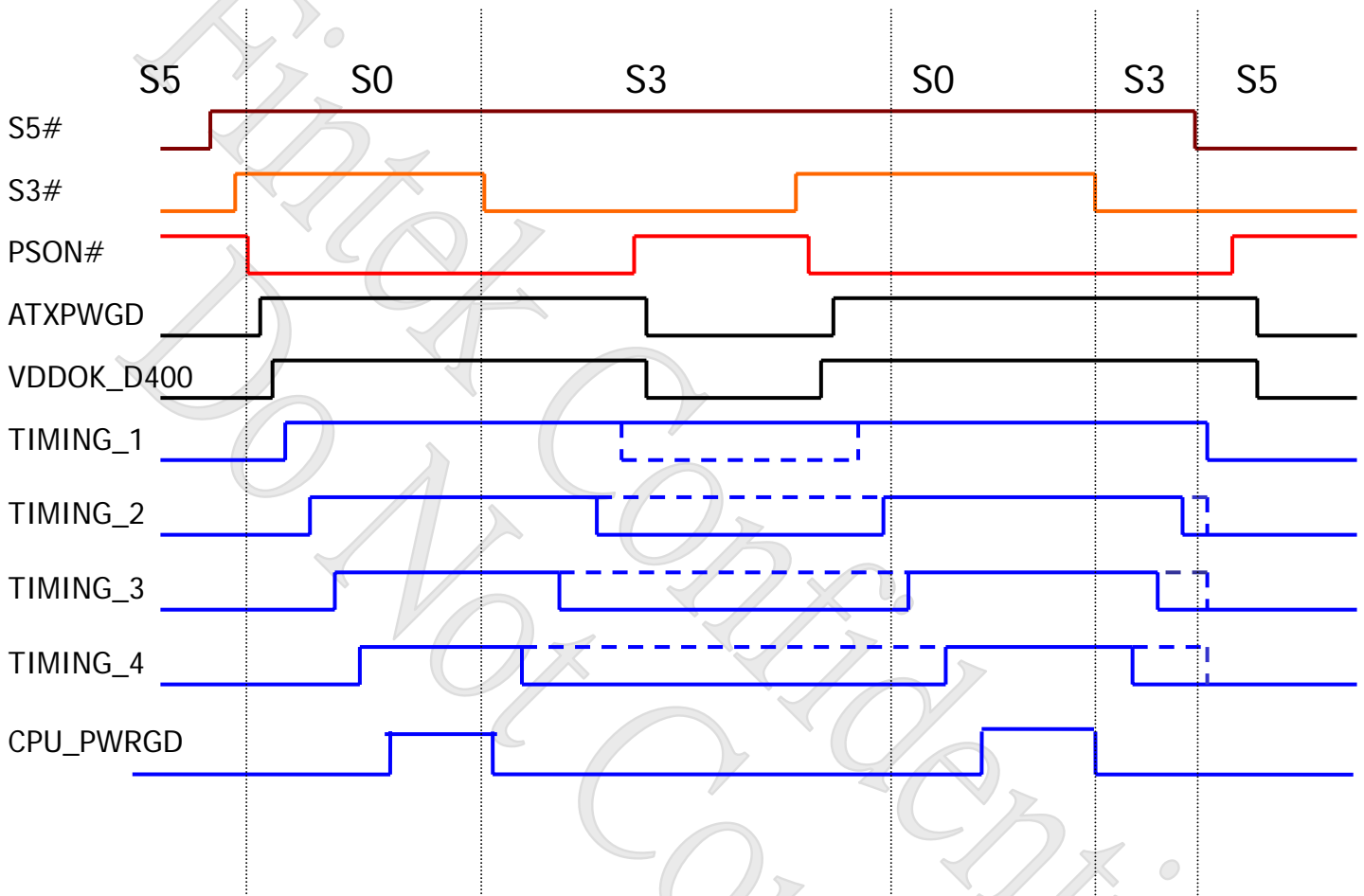


Figure 16 Timing on/off sequence

5.5 ST1, ST2 and ATX_PWRGDSW Timing

The F71869 provides three additional timing switching pins which are named as ST1, ST2 and ATXPWRGDSW. They can be applied in the certain applications about power switch which depends on the ACPI states. The detail timing can be referred in the following diagrams. The default timing of ATX_PWRGDSW in the S5 state is low, but it can be programmed high by the register 0x0AF6.



F71869

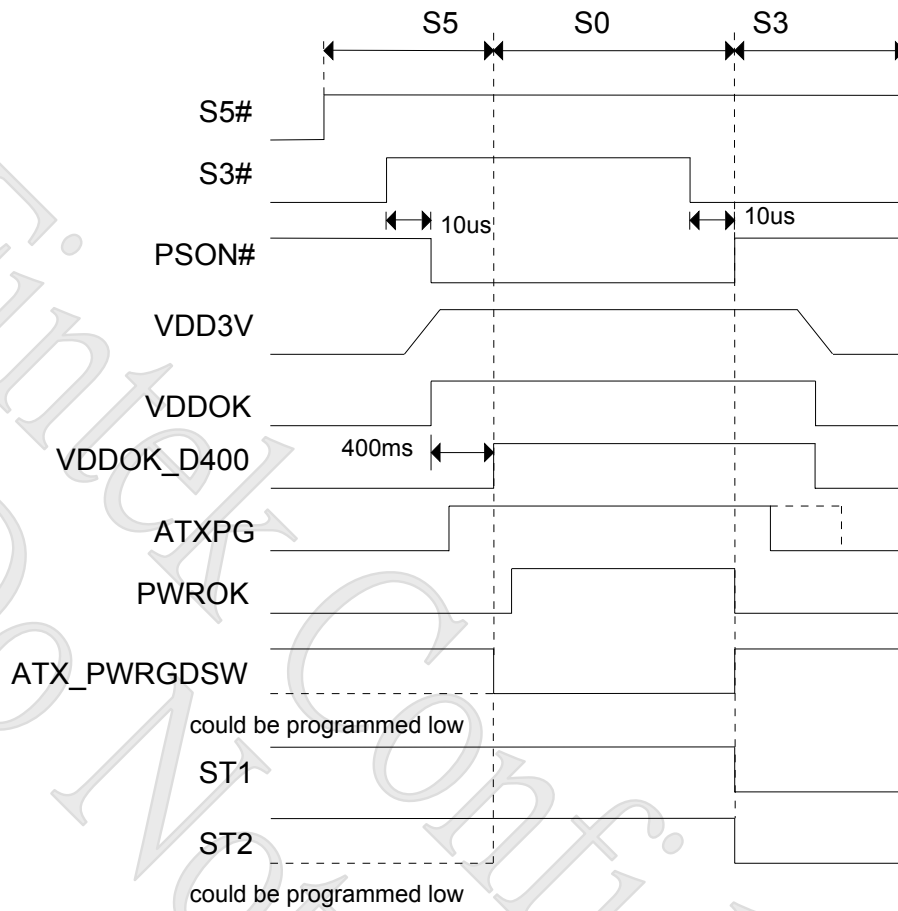


Figure 17 Timing chart of S5->S0->S3

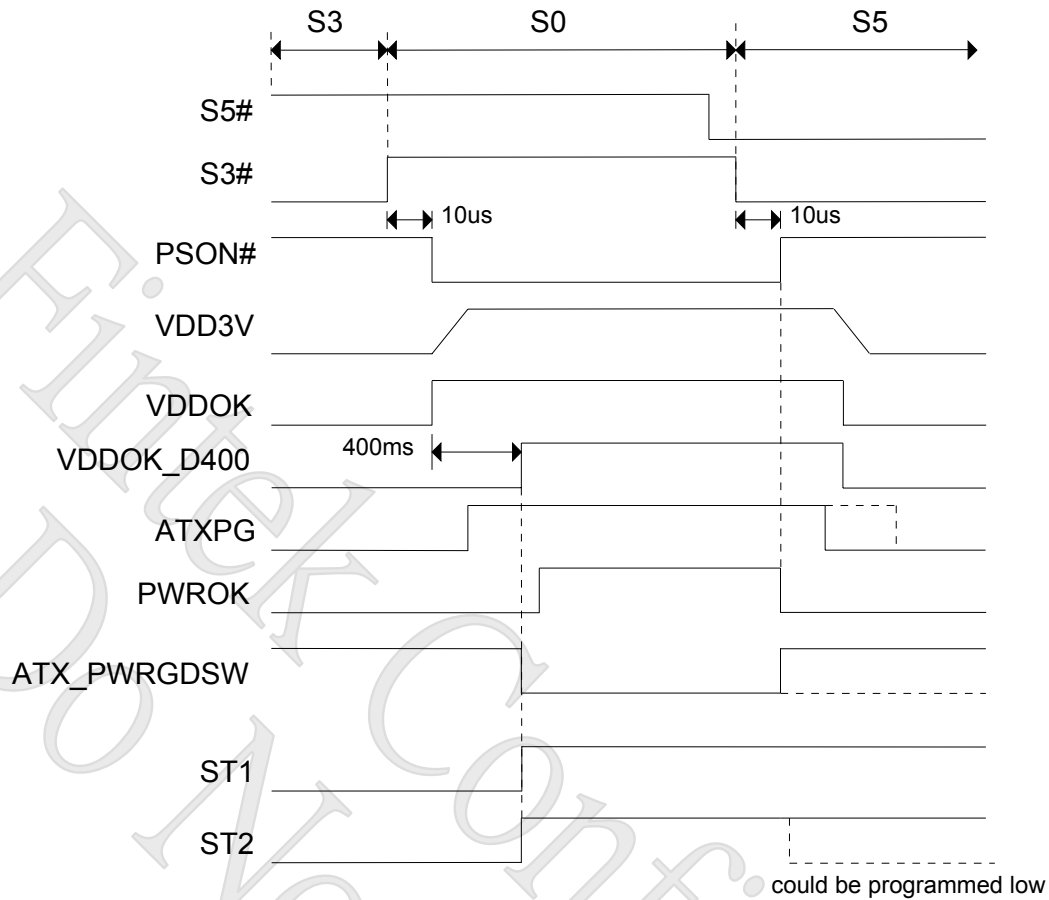


Figure 17 Timing chart of S3->S0->S5

5.6 AMD TSI and Intel PECI Function

The F71869 provides Intel PECI/AMD TSI interfaces for new generational CPU temperature sensing. In AMDSI interface, there are SIC and SID signals for temperature information reading from AMD CPU. The SIC signal is for clocking use, the other is for data transferring. More details, please refer register description.

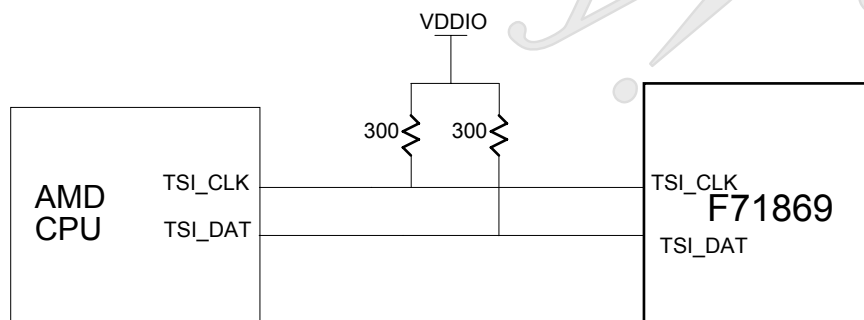


Figure 18 AMD TSI typical application



5. Register Description

The configuration register is used to control the behavior of the corresponding devices. To configure the register, using the index port to select the index and then writing data port to alter the parameters. The default index port and data port are 0x4E and 0x4F respectively. Pull down the SOUT1 pin to change the default value to 0x2E/0x2F. To enable configuration, the entry key 0x87 must be written to the index port. To disable configuration, write exit key 0xAA to the index port. Following is a example to enable configuration and disable configuration by using debug.

```
-o 4e 87
-o 4e 87      (enable configuration)
-o 4e aa      (disable configuration)
```

The Following is a register map (total devices) grouped in hexadecimal address order, which shows a summary of all registers and their default value. Please refer each device chapter if you want more detail information.

Global Control Registers

“-“ Reserved or Tri-State

Global Control Registers									
Register 0x[HEX]	Register Name	Default Value							
		MSB							LSB
02	Software Reset Register	-	-	-	-	-	-	-	0
07	Logic Device Number Register (LDN)	0	0	0	0	0	0	0	0
20	Chip ID Register	0	0	0	0	1	0	0	0
21	Chip ID Register	0	0	0	1	0	1	0	0
22	Reserved	-	-	-	-	-	-	-	-
23	Reserved	-	-	-	-	-	-	-	-
24	Reserved	-	-	-	-	-	-	-	-
25	Software Power Down Register	-	-	-	-	0	0	0	0
26	UART IRQ Sharing Register	0	-	-	-	-	0	0	0
27	Configuration Port Select Register	-	-	-	1/0	-	-	1/0	1/0
28	Multi-function Select Register1	-	-	1	1	1	0	-	-
29	Multi-function Select Register2	0	1	1	0	1	1	1	1
2A	Multi-function Select Register3	0	0	0	0	0	1	1	1

2B	Multi-function Select Register4	0	0	0	0	1	1	1	1
2C	VBAT Dummy Register	0	0	0	0	0	0	0	0
2D	Wakeup Control Register	0	0	1	0	1	0	0	0
2E	Reserved	0	0	0	0	0	0	0	0
2F	Reserved	0	0	0	-	-	-	-	-

Device Configuration Registers

“-” Reserved or Tri-State

FDC Device Configuration Registers (LDN CR00)									
Register 0x[HEX]	Register Name	Default Value							
		MSB				LSB			
30	FDC Device Enable Register	-	-	-	-	-	-	-	1
60	Base Address High Register	0	0	0	0	0	0	1	1
61	Base Address Low Register	1	1	1	1	0	0	0	0
70	IRQ Channel Select Register	-	-	-	-	0	1	1	0
74	DMA Channel Select Register	-	-	-	-	-	0	1	0
F0	FDD Mode Register	0	-	-	0	1	1	1	0
F2	FDD Drive Type Register	-	-	-	-	-	-	1	1
F4	FDD Selection Register	-	-	-	0	0	-	0	0

UART1 Device Configuration Registers (LDN CR01)									
Register 0x[HEX]	Register Name	Default Value							
		MSB				LSB			
30	UART1 Device Enable Register	-	-	-	-	-	-	-	1
60	Base Address High Register	0	0	0	0	0	0	1	1
61	Base Address Low Register	1	1	1	1	1	0	0	0
70	IRQ Channel Select Register	-	-	-	-	0	1	0	0
F0	RS485 Enable Register	-	-	0	0	-	-	-	-

UART2 Device Configuration Registers (LDN CR02)									
Register 0x[HEX]	Register Name	Default Value							
		MSB				LSB			
30	UART2 Device Enable Register	-	-	-	-	-	-	-	1
60	Base Address High Register	0	0	0	0	0	0	1	0
61	Base Address Low Register	1	1	1	1	1	0	0	0
70	IRQ Channel Select Register	-	-	-	-	0	0	1	1
F0	RS485 Enable Register	-	-	-	0	0	0	-	-

F1	SIR Mode Control Register	-	-	0	0	0	1	0	0
Parallel Port Device Configuration Registers (LDN CR03)									
Register 0x[HEX]	Register Name	Default Value							
		MSB				LSB			
30	Parallel Port Device Enable Register	-	-	-	-	-	-	-	1
60	Base Address High Register	0	0	0	0	0	0	1	1
61	Base Address Low Register	0	1	1	1	1	0	0	0
70	IRQ Channel Select Register	-	-	-	-	0	1	1	1
74	DMA Channel Select Register	-	-	-	0	-	0	1	1
F0	PRT Mode Select Register	0	1	0	0	0	0	1	0
Hardware Monitor Device Configuration Registers (LDN CR04)									
Register 0x[HEX]	Register Name	Default Value							
		MSB				LSB			
30	H/W Monitor Device Enable Register	-	-	-	-	-	-	-	1
60	Base Address High Register	0	0	0	0	0	0	1	0
61	Base Address Low Register	1	0	0	1	0	1	0	1
70	IRQ Channel Select Register	-	-	-	-	0	0	0	0
KBC Device Configuration Registers (LDN CR05)									
Register 0x[HEX]	Register Name	Default Value							
		MSB				LSB			
30	KBC Device Enable Register	-	-	-	-	-	-	-	1
60	Base Address High Register	0	0	0	0	0	0	0	0
61	Base Address Low Register	0	1	1	0	0	0	0	0
70	KB IRQ Channel Select Register	-	-	-	-	0	0	0	1
72	Mouse IRQ Channel Select Register	-	-	-	-	1	1	0	0
F0	Clock Select Register	1	0	-	-	-	-	1	1
FE	Swap Register	1	-	-	0	0	0	0	1
FF	User Wakeup Code Register	0	0	1	0	1	0	0	1
GPIO Device Configuration Registers (LDN CR06)									
Register 0x[HEX]	Register Name	Default Value							
		MSB				LSB			
30	GPIO Device Enable Register	-	-	-	-	-	-	-	0
60	Base Address High Register	0	0	0	0	0	0	0	0
61	Base Address Low Register	0	0	0	0	0	0	0	0
70	GPIRQ Channel Select Register	-	-	-	-	0	0	0	0

F0	GPIO Output Enable Register	-	-	0	0	0	0	0	0
F1	GPIO Output Data Register	-	-	1	1	1	1	1	1
F2	GPIO Pin Status Register	-	-	-	-	-	-	-	-
F3	GPIO Drive Enable Register	-	-	0	0	0	0	0	0
E0	GPIO1 Output Enable Register	0	0	0	0	0	0	0	0
E1	GPIO1 Output Data Register	1	1	1	1	1	1	1	1
E2	GPIO1 Pin Status Register	-	-	-	-	-	-	-	-
E3	GPIO1 Drive Enable Register	0	0	0	0	0	0	0	0
E4	GPIO1 PME Enable Register	0	0	0	0	0	0	0	0
E5	GPIO1 Detect Edge Select Register	0	0	0	0	0	0	0	0
E6	GPIO1 PME Status Register	0	0	0	0	0	0	0	0
D0	GPIO2 Output Enable Register	0	0	0	0	0	0	0	0
D1	GPIO2 Output Data Register	1	1	1	1	1	1	1	1
D2	GPIO2 Pin Status Register	-	-	-	-	-	-	-	-
D3	GPIO2 Drive Enable Register	0	0	0	0	0	0	0	0
C0	GPIO3 Output Enable Register	0	0	0	0	0	0	0	0
C1	GPIO3 Output Data Register	1	1	1	1	1	1	1	1
C2	GPIO3 Pin Status Register	-	-	-	-	-	-	-	-
B0	GPIO4 Output Enable Register	-	-	-	-	0	0	0	0
B1	GPIO4 Output Data Register	-	-	-	-	1	1	1	1
B2	GPIO4 Pin Status Register	-	-	-	-	-	-	-	-
B3	GPIO4 Drive Enable Register	-	-	-	-	0	0	0	0
A0	GPIO5 Output Enable Register	-	-	-	0	0	0	0	0
A1	GPIO5 Output Data Register	-	-	-	1	1	1	1	1
A2	GPIO5 Pin Status Register	-	-	-	-	-	-	-	-
A3	GPIO5 Drive Enable Register	-	-	-	0	0	0	0	0
90	GPIO6 Output Enable Register	-	-	0	0	0	0	0	0
91	GPIO6 Output Data Register	-	-	1	1	1	1	1	1
92	GPIO6 Pin Status Register	-	-	-	-	-	-	-	-
93	GPIO6 Drive Enable Register	-	-	0	0	0	0	0	0
BSEL Device Configuration Registers (LDN CR07)									
Register 0x[HEX]	Register Name	Default Value							
		MSB				LSB			
30	BSEL Device Enable Register	-	-	-	-	-	-	-	0
60	Base Address High Register	0	0	0	0	0	0	0	0

61	Base Address Low Register	0	0	0	0	0	0	0	0
F0	Watchdog Timer Enable Register	-	-	-	-	-	-	-	1
F2	BUS Manual Register	0	0	0	0	0	0	0	0
F3	Key Data Register	0	0	0	0	0	0	0	0
F4	BUSIN Status Register	-	-	-	-	-	-	-	-
F5	WDT Unit Select Register	-	0	-	0	0	0	0	0
F6	WDT Count Register	0	0	0	0	1	0	1	0
F7	Watchdog Timer PME Register	0	0	0	-	-	-	-	0

PME and ACPI Device Configuration Registers (LDN CR0A)

Register 0x[HEX]	Register Name	Default Value							
		MSB				LSB			
30	PME Device Enable Register	-	-	-	-	-	-	-	0
F0	PME Event Enable Register 1	-	0	0	0	0	0	0	0
F1	PME Event Enable Register 2	-	-	-	-	-	0	0	0
F2	PME Event Status Register 1	-	-	-	-	-	-	-	-
F3	PME Event Status Register 2	-	-	-	-	-	-	-	-
F4	Keep Last State Select Register	0	0	0	0	0	1	1	0
F5	VDDOK Delay Select Register	0	0	0	1	1	1	0	0
F6	PCIRST Control Register	0	0	-	1	1	1	1	1
F7	Power Sequence Control Register	1	0	0	0	0	1	1	0
F8	LED VCC Control Register	-	-	0	0	0	0	0	0
F9	LED VSB Control Register	-	-	0	0	0	0	0	0
FE	RI De-bounce Select Register	-	-	0	0	0	0	0	0
FF	ACPI Test Mode Register	0	0	0	0	0	0	0	0

6.1 Global Control Registers
6.1.1 Software Reset Register — Index 02h

Bit	Name	R/W	Default	Description
7-1	Reserved	-	-	Reserved
0	SOFT_RST	R/W	0	Write 1 to reset the register and device powered by VDD (VCC).

6.1.2 Logic Device Number Register (LDN) — Index 07h

Bit	Name	R/W	Default	Description
-----	------	-----	---------	-------------


F71869

7-0	LDN	R/W	00h	00h: Select FDC device configuration registers. 01h: Select UART 1 device configuration registers. 02h: Select UART 2 device configuration registers. 03h: Select Parallel Port device configuration registers. 04h: Select Hardware Monitor device configuration registers. 05h: Select KBC device configuration registers. 06h: Select GPIO device configuration registers. 07h: Select BSEL device configuration registers. 0ah: Select PME & ACPI device configuration registers.
-----	-----	-----	-----	---

6.1.3 Reserved — Index 20h~24h

Bit	Name	R/W	Default	Description
7-0	Reserved	R	-	Reserved

6.1.4 UART IRQ Sharing Register — Index 26h

Bit	Name	R/W	Default	Description
7	CLK24M_SEL	R/W	0	0: CLKIN is 48MHz 1: CLKIN is 24MHz
6-3	Reserved	-	-	Reserved.
2	TX_DEL_1BIT	R/W	0	0: UART transmits data immediately after writing THR. 1: UART transmits data delay one bit time after writing THR.
1	IRQ_MODE	R/W	0	0: PCI IRQ sharing mode (low level). 1: ISA IRQ sharing mode (low pulse).
0	IRQ_SHAR	R/W	0	0: disable IRQ sharing of two UART devices. 1: enable IRQ sharing of two UART devices.

6.1.5 Configuration Port Select Register — Index 27h

Bit	Name	R/W	Default	Description
7-5	Reserved	-	-	Reserved.


F71869

4	PORT_4E_EN	R/W	-	0: The configuration register port is 2E/2F. 1: The configuration register port is 4E/4F. This register is power on trapped by SOUT1/ Config4E_2E. Pull down to select port 2E/2F.
3-2	Reserved	-	-	Reserved.
1	BSEL_EN	R	-	This bit is the pin status of BITSEL_GPIO pin. 0: Disable BSEL functions and enable GPIO6. 1: Enable BSEL functions and disable GPIO6.
0	TIMING_EN	R	-	This bit is the pin status of TIMING_GPIO pin. 0: Disable power sequence control. 1: Enable power sequence control.

6.1.6 Multi-Function Select Register 1— Index 28h (Powered by VSB3V)

Bit	Name	R/W	Default	Description
7-6	Reserved	R/W	0	Reserved
5	PWR_ST1_EN	R/W	1	0: ST1/GPIO05/WDTRST# functions as GPIO05/WDTRST# determined by GPIO05_EN. 1: ST1/GPIO05/WDTRST# functions as ST1.
4	PWR_ST2_EN	R/W	1	0: ST2/SLOT0CC#/GPIO04 functions as SLOT0CC#/GPIO04 determined by GPIO04_EN. 1: ST2/SLOT0CC#/GPIO04 functions as ST2.
3	GPIO05_EN	R/W	1	0: ST1/GPIO05/WDTRST# functions as WDTRST if PWR_ST1_EN is not set. 1: ST1/GPIO05/WDTRST# functions as GPIO05 if PWR_ST1_EN is not set.
2	GPIO04_EN	R/W	0	0: ST2/SLOT0CC#/GPIO04 functions as SLOT0CC# if PWR_ST2_EN is not set. 1: ST2/SLOT0CC#/GPIO04 functions as GPIO04 if PWR_ST2_EN is not set.
1-0	Reserved	R/W	0	Reserved


F71869
6.1.7 Multi-Function Select Register 2 — Index 29h (Powered by VSB3V)

Bit	Name	R/W	Default	Description
7	GPIO17_EN	R/W	0	CPU_PWRGD/GPIO17function select. 0: The pin function is CPU_PWRGD. 1: The pin function is GPIO17.
6	GPIO16_EN	R/W	1	GPIO16/LED_VCC function select. 0: The pin function is LED_VCC. 1: The pin function is GPIO16.
5	GPIO15_EN	R/W	1	GPIO15/LED_VSB/ALERT# function select. If LED_VSB_EN is set, the ping function is LED_VSB, otherwise the pin function is determined by this bit: 0: The pin function is ALERT#. 1: The pin function is GPIO15.
4	GPIO14_EN	R/W	0	WDTRST#/GPIO14 function select. 0: The pin function is WDTRST#. 1: The pin function is GPIO14.
3	GPIO13_EN	R/W	1	ATX_PWRGDSW/GPIO13/BEEP function select. If ATX_PWRGDSW_EN is set , the ping function is ATX_PWRGDSW, otherwise the pin function is determined by this bit: 0: The pin function is BEEP. 1: The pin function is GPIO13.
2	GPIO12_EN	R/W	1	RSTCON#/GPIO12 function select. 0: The pin function is RSTCON#. 1: The pin function is GPIO12.
1	GPIO11_EN	R/W	1	PCIRST5#/GPIO11/IBX_SDA function select. If IBX_ALT_EN is set , the ping function is IBX_SDA, otherwise the pin function is determined by this bit: 0: The pin function is PCIRST5#. 1: The pin function is GPIO11.


F71869

0	GPIO10_EN	R/W	1	PCIRST4#/GPIO10/IBX_SCL function select. If IBX_ALT_EN is set , the ping function is IBX_SCL, otherwise the pin function is determined by this bit: 0: The pin function is PCIRST4#. 1: The pin function is GPIO10.
---	-----------	-----	---	--

6.1.8 Multi-Function Select Register 3 — Index 2Ah (Powered by VSB3V)

Bit	Name	R/W	Default	Description
7	Reserved	R/W	0	Reserved
6	IBX_ALT_EN	R/W	0	Alternative IBX pin enable. 0: Disable IBX alternative pins. 1: Enable IBS alternative pins. See GPIO11_EN and GPIO10_EN for detail.
5	LED_VSB_EN	R/W	0	0: disable LED_VSB from GPIO15/LED_VSB/ALERT# 1: Enable LED_VSB from GPIO15/LED_VSB_ALERT#.
4	RSTCON_PIN_EN	R/W	0	RSTCON# Enable Register: 0: The pin function of RSTCON#/GPIO12 is GPIO12. 1: The pin function of RSTCON#/GPIO12 is RSTCON#.
3	ATX_PWRGDSW_EN	R/W	1	ATX_PWRGDSW Enable Register: 0: The pin function of ATX_PWRGDSW /GPIO13/BEEP is determined by GPIO13_EN. 1: The pin function is ATX_PWRGDSW.
2	FDC_GP_EN	R/W	1	Set "1" will disable FDC and change the FDC pins to GPIOs.
1	UR2_GP_EN2	R/W	1	Set "1" will change UART2 Modem control pins to GPIOs.
0	UR2_GP_EN1	R/W	1	Set "1" will change UART2 SIN/SOUT pins to GPIOs. Set UR2_GP_EN1 and UR2_GP_EN2 will also disable UART2.

6.1.9 Multi-Function Select Register 4 — Index 2Bh (Powered by VSB3V)

Bit	Name	R/W	Default	Description
-----	------	-----	---------	-------------


F71869

7	GPIO47_EN	R/W	0	PSON#/GPIO47 function select. 0: The pin function is PSON#. 1: The pin function is GPIO47.
6	GPIO46_EN	R/W	0	PWSOUT#/GPIO46 function select. 0: The pin function is PWSOUT#. 1: The pin function is GPIO46.
5	GPIO45_EN	R/W	0	PWSIN#/GPIO45 function select. 0: The pin function is PWSIN#. 1: The pin function is GPIO45.
4	GPIO44_EN	R/W	0	ATXPG_IN/GPIO44 function select. 0: The pin function is ATXPG_IN. 1: The pin function is GPIO44.
3	GPIO43_EN	R/W	1	GPIO43/IRRX function select. 0: The pin function is IRRX. 1: The pin function is GPIO43.
2	GPIO42_EN	R/W	1	GPIO42/IRTX function select. 0: The pin function is IRTX. 1: The pin function is GPIO42.
1	GPIO41_EN	R/W	1	FANCTRL3/GPIO41 function select. 0: The pin function is FANCTRL3. 1: The pin function is GPIO41.
0	GPIO40_EN	R/W	1	FANIN3/GPIO40 function select. 0: The pin function is FANIN3. 1: The pin function is GPIO40.

6.1.10 VBAT Dummy Register — Index 2Ch (Powered by VBAT)

Bit	Name	R/W	Default	Description
7-0	Reserved	R/W	0	Reserved

6.1.11 Wakeup Control Register — Index 2Dh (Powered by VBAT)

Bit	Name	R/W	Default	Description
-----	------	-----	---------	-------------

7	SLOT_PWR_SEL	R/W	0	0: SLOTOCC# is pull-up to VSB3V. 1: SLOTOCC# is pull-up to VBAT.																											
6	VSBOK_HYS_DIS	R/W	0	Set "1" to disable VSBOK hysteresis.																											
5	VSBOK_LEVEL_SEL	R/W	1	0: The VSB3V Power good level is 3.05V typically. 1: The VSB3V Power good level is 2.8V typically																											
4	KEY_SEL_ADD	R/W	0	This bit is added to add more wakeup key function.																											
3	WAKEUP_EN	R/W	1	0: disable keyboard/mouse wake up. 1: enable keyboard/mouse wake up.																											
2-1	KEY_SEL	R/W	00	<p>This registers select the keyboard wake up key. Accompanying with KEY_SEL_ADD, there are eight wakeup keys:</p> <table border="1"> <thead> <tr> <th>KEY_SEL_ADD</th> <th>KEY_SEL</th> <th>Wakeup Key</th> </tr> </thead> <tbody> <tr> <td>0</td> <td>00</td> <td>Ctrl + Esc</td> </tr> <tr> <td>0</td> <td>01</td> <td>Ctrl + F1</td> </tr> <tr> <td>0</td> <td>10</td> <td>Ctrl + Space</td> </tr> <tr> <td>0</td> <td>11</td> <td>Any Key</td> </tr> <tr> <td>1</td> <td>00</td> <td>Windows Wakeup</td> </tr> <tr> <td>1</td> <td>01</td> <td>Windows Power</td> </tr> <tr> <td>1</td> <td>10</td> <td>Ctrl + Alt + Space</td> </tr> <tr> <td>1</td> <td>11</td> <td>Space</td> </tr> </tbody> </table>	KEY_SEL_ADD	KEY_SEL	Wakeup Key	0	00	Ctrl + Esc	0	01	Ctrl + F1	0	10	Ctrl + Space	0	11	Any Key	1	00	Windows Wakeup	1	01	Windows Power	1	10	Ctrl + Alt + Space	1	11	Space
KEY_SEL_ADD	KEY_SEL	Wakeup Key																													
0	00	Ctrl + Esc																													
0	01	Ctrl + F1																													
0	10	Ctrl + Space																													
0	11	Any Key																													
1	00	Windows Wakeup																													
1	01	Windows Power																													
1	10	Ctrl + Alt + Space																													
1	11	Space																													
0	MO_SEL	R/W	0	<p>This register selects the mouse wake up key.</p> <p>0: Wake up by click. 1: Wake up by click and movement.</p>																											

6.1.12 Reserved — Index 2Eh ~ 2Fh

Bit	Name	R/W	Default	Description
7-0	Reserved	R/W	0	Reserved



6.2 FDC Registers (CR00)

6.2.1 FDC Device Enable Register — Index 30h

Bit	Name	R/W	Default	Description
7-1	Reserved	-	-	Reserved
0	FDC_EN	R/W	1	0: disable FDC. 1: enable FDC.

6.2.2 Base Address High Register — Index 60h

Bit	Name	R/W	Default	Description
7-0	BASE_ADDR_HI	R/W	03h	The MSB of FDC base address.

6.2.3 Base Address Low Register — Index 61h

Bit	Name	R/W	Default	Description
7-0	BASE_ADDR_LO	R/W	F0h	The LSB of FDC base address.

6.2.4 IRQ Channel Select Register — Index 70h

Bit	Name	R/W	Default	Description
7-4	Reserved	-	-	Reserved.
3-0	SELFDCIRQ	R/W	06h	Select the IRQ channel for FDC.

6.2.5 DMA Channel Select Register — Index 74h

Bit	Name	R/W	Default	Description
7-3	Reserved	-	-	Reserved.
2-0	SELFDCDMA	R/W	010	Select the DMA channel for FDC.

6.2.6 FDD Mode Register — Index F0h

Bit	Name	R/W	Default	Description
7	FDC_SW_PD	R/W	0	Write "1" to software power down FDC.
6-5	Reserved	-	-	Reserved.
4	FDC_SW_WP	R/W	0	Write "1" to this bit will force FDC to write protect. Otherwise, write protect is controlled by hardware pin WP#.


F71869

3-2	IF_MODE	R/W	11	00: Model 30 mode. 01: PS/2 mode. 10: Reserved. 11: AT mode (default).
1	FDMAMODE	R/W	1	0: enable burst mode. 1: non-busrt mode (default).
0	EN3MODE	R/W	0	0: normal floppy mode (default). 1: enhanced 3-mode FDD.

6.2.7 FDD Drive Type Register — Index F2h

Bit	Name	R/W	Default	Description
7-2	Reserved	-	-	Reserved.
1-0	FDD_TYPE	R/W	11	FDD drive type.

6.2.8 FDD Selection Register — Index F4h

Bit	Name	R/W	Default	Description
7-5	Reserved	-	-	Reserved.
4-3	FDD_DRT	R/W	00	Data rate table select, refer to table A. 00: select regular drives and 2.88 format. 01: 3-mode drive. 10: 2 mega tape. 11: reserved.
2	Reserved	-	-	Reserved.
1-0	FDD_DT	R/W	00	Drive type select, refer to table B.

TABLE A

Data Rate Table Select		Data Rate		Selected Data Rate		DENSEL
FDD_DRT[1]	FDD_DRT[0]	DATARATE1	DATARATE0	MFM	FM	
0	0	0	0	500K	250K	1
		0	1	300K	150K	0
		1	0	250K	125K	0
		1	1	1Meg	---	1

0	1	0	0	500K	250K	1
		0	1	500K	250K	0
		1	0	250K	125K	0
		1	1	1Meg	---	1
1	0	0	0	500K	250K	1
		0	1	2Meg	---	0
		1	0	250K	125K	0
		1	1	1Meg	---	1

TABLE B

Drive Type		DRVDEN0	Remark
FDD_DT1	FDD_DT0		
0	0	DENSEL	4/2/1 MB 3.5" 2/1 MB 5.25" 1/1.6/1 MB 3.5" (3-Mode)
0	1	DATARATE1	
1	0	DENSEL#	
1	1	DATARATE0	

6.3 UART1 Registers (CR01)

6.3.1 UART 1 Device Enable Register — Index 30h

Bit	Name	R/W	Default	Description
7-1	Reserved	-	-	Reserved
0	UR1_EN	R/W	1	0: disable UART 1. 1: enable UART 1.

6.3.2 Base Address High Register — Index 60h

Bit	Name	R/W	Default	Description
7-0	BASE_ADDR_HI	R/W	03h	The MSB of UART 1 base address.

6.3.3 Base Address Low Register — Index 61h

Bit	Name	R/W	Default	Description
-----	------	-----	---------	-------------


F71869

7-0	BASE_ADDR_LO	R/W	F8h	The LSB of UART 1 base address.
-----	--------------	-----	-----	---------------------------------

6.3.4 IRQ Channel Select Register — Index 70h

Bit	Name	R/W	Default	Description
7-4	Reserved	-	-	Reserved.
3-0	SELUR1IRQ	R/W	4h	Select the IRQ channel for UART 1.

6.3.5 RS485 Enable Register — Index F0h

Bit	Name	R/W	Default	Description
7-6	Reserved	-	-	Reserved.
5	RS485_INV	-	-	Write "1" will invert the RTS# if RS485_EN is set.
4	RS485_EN	R/W	0	0: RS232 driver. 1: RS485 driver. Auto drive RTS# low when transmitting data.
3-0	Reserved	-	-	Reserved.

6.4 UART2 Registers (CR02)
6.4.1 UART 2 Device Enable Register — Index 30h

Bit	Name	R/W	Default	Description
7-1	Reserved	-	-	Reserved
0	UR2_EN	R/W	1	0: disable UART 2. 1: enable UART 2.

6.4.2 Base Address High Register — Index 60h

Bit	Name	R/W	Default	Description
7-0	BASE_ADDR_HI	R/W	02h	The MSB of UART 2 base address.

6.4.3 Base Address Low Register — Index 61h

Bit	Name	R/W	Default	Description
7-0	BASE_ADDR_LO	R/W	F8h	The LSB of UART 2 base address.

6.4.4 IRQ Channel Select Register — Index 70h

Bit	Name	R/W	Default	Description
-----	------	-----	---------	-------------



F71869

7-4	Reserved	-	-	Reserved.
3-0	SELUR2IRQ	R/W	3h	Select the IRQ channel for UART 2.

6.4.5 RS485 Enable Register — Index F0h

Bit	Name	R/W	Default	Description
7-6	Reserved	-	-	Reserved.
5	RS485_INV	-	-	Write "1" will invert the RTS# if RS485_EN is set.
4	RS485_EN	R/W	0	0: RS232 driver. 1: RS485 driver. Auto drive RTS# low when transmitting data.
3	RXW4C_IR	R/W	0	0: No reception delay when SIR is changed form TX to RX. 1: Reception delays 4 characters time when SIR is changed form TX to RX.
2	TXW4C_IR	R/W	0	0: No transmission delay when SIR is changed form RX to TX. 1: Transmission delays 4 characters time when SIR is changed form RX to TX.
1-0	Reserved	-	-	Reserved.

6.4.6 SIR Mode Control Register — Index F1h

Bit	Name	R/W	Default	Description
7	Reserved	-	-	Reserved.
6	Reserved	-	-	Reserved.
5	Reserved	-	-	Reserved.
4-3	IRMODE	R/W	00	00: disable IR function. 01: disable IR function. 10: IrDA function, active pulse is 1.6uS. 11: IrDA function, active pulse is 3/16 bit time.
2	H DUPLX	R/W	1	0: SIR is in full duplex mode for loopbak test. TXW4C_IR and RXW4C_IR are of no use. 1: SIR is in half duplex mode.
1	TXINV_IR	R/W	0	0: IRTX is in normal condition. 1: inverse the IRTX.
0	RXINV_IR	R/W	0	0: IRRX is in normal condition. 1: inverse the IRRX.

6.5 Parallel Port Register (CR03)

6.5.1 Parallel Port Device Enable Register — Index 30h

Bit	Name	R/W	Default	Description
7-1	Reserved	-	-	Reserved
0	PRT_EN	R/W	1	0: disable Parallel Port. 1: enable Parallel Port.

6.5.2 Base Address High Register — Index 60h

Bit	Name	R/W	Default	Description
7-0	BASE_ADDR_HI	R/W	03h	The MSB of Parallel Port base address.

6.5.3 Base Address Low Register — Index 61h

Bit	Name	R/W	Default	Description
7-0	BASE_ADDR_LO	R/W	78h	The LSB of Parallel Port base address.

6.5.4 IRQ Channel Select Register — Index 70h

Bit	Name	R/W	Default	Description
7-5	Reserved	-	-	Reserved.
3-0	SELPRTIRQ	R/W	7h	Select the IRQ channel for Parallel Port.

6.5.5 DMA Channel Select Register — Index 74h

Bit	Name	R/W	Default	Description
7-5	Reserved	-	-	Reserved.
4	ECP_DMA_MODE	R/W	0	0: non-burst mode DMA. 1: enable burst mode DMA.
3	Reserved	-	-	Reserved.
2-0	SELPRTDMA	R/W	011	Select the DMA channel for Parallel Port.

6.5.6 PRT Mode Select Register — Index F0h

Bit	Name	R/W	Default	Description
-----	------	-----	---------	-------------


F71869

7	SPP_IRQ_MODE	R/W	0	Interrupt mode in non-ECP mode. 0: Level mode. 1: Pulse mode.
6-3	ECP_FIFO_THR	R/W	1000	ECP FIFO threshold.
2-0	PRT_MODE	R/W	010	000: Standard and Bi-direction (SPP) mode. 001: EPP 1.9 and SPP mode. 010: ECP mode (default). 011: ECP and EPP 1.9 mode. 100: Printer mode. 101: EPP 1.7 and SPP mode. 110: Reserved. 111: ECP and EPP1.7 mode.

6.6 Hardware Monitor Registers (CR04)

6.6.1 Hardware Monitor Configuration Registers — Index 30h

Bit	Name	R/W	Default	Description
7-1	Reserved	-	-	Reserved
0	HM_EN	R/W	1	0: disable Hardware Monitor. 1: enable Hardware Monitor.

6.6.2 Base Address High Register — Index 60h

Bit	Name	R/W	Default	Description
7-0	BASE_ADDR_HI	R/W	02h	The MSB of Hardware Monitor base address.

6.6.3 Base Address Low Register — Index 61h

Bit	Name	R/W	Default	Description
7-0	BASE_ADDR_LO	R/W	95h	The LSB of Hardware Monitor base address.

6.6.4 IRQ Channel Select Register — Index 70h

Bit	Name	R/W	Default	Description
7-4	Reserved	-	-	Reserved.
3-0	SELHMIRQ	R/W	0000	Select the IRQ channel for Hardware Monitor.



F71869

Before the device registers, the following is a register map order which shows a summary of all registers. Please refer each one register if you want more detail information.

Register CR01 ~ CR03 → Configuration Registers

Register CR0A ~ CR0F → PECEI/SST/TSI Control Register

Register CR10 ~ CR4F → Voltage Setting Register

Register CR60 ~ CR8E → Temperature Setting Register

Register CR90 ~ CRDF → Fan Control Setting Register

→Fan1 Detail Setting CRA0 ~ CRAF

→Fan2 Detail Setting CRB0 ~ CRBF

→Fan3 Detail Setting CRC0 ~ CRCF

6.6.5 Configuration Register — Index 01h

Bit	Name	R/W	Default	Description
7-3	Reserved	-	0	Reserved
2	POWER_DOWN	R/W	0	Hardware monitor function power down.
1	FAN_START	R/W	1	Set one to enable startup of fan monitoring operations; a zero puts the part in standby mode.
0	V_T_START	R/W	1	Set one to enable startup of temperature and voltage monitoring operations; a zero puts the part in standby mode.

6.6.6 Configuration Register — Index 02h

Bit	Name	R/W	Default	Description
7	Reserved	R/W	0	Dummy register.
6	CASE_BEEP_EN	R/W	0	0: Disable case open event output via BEEP. 1: Enable case open event output via BEEP.
5-4	OVT_MODE	R/W	0	00: The OVT# will be low active level mode. 01: The OVT# will be high active level mode. 10: The OVT# will indicate by 1Hz LED function. 11: The OVT# will indicate by (400/800HZ) BEEP output.
3	Reserved	R/W	0	Dummy register.
2	CASE_SMI_EN	R/W	0	0: Disable case open event output via PME. 1: Enable case open event output via PME.
1-0	ALERT_MODE	R/W	0	00: The ALERT# will be low active level mode. 01: The ALERT# will be high active level mode. 10: The ALERT# will indicate by 1Hz LED function. 11: The ALERT# will indicate by (400/800HZ) BEEP output.


F71869
6.6.7 Configuration Register — Index 03h

Bit	Name	R/W	Default	Description
7-1	Reserved	R/W	0	Reserved
0	CASE_STS	R/W	0	Case open event status. Write 1 to clear if case open event cleared. (This bit is powered by VBAT.)

6.6.8 Configuration Register — Index 08h

Bit	Name	R/W	Default	Description
7-1	SMBUS_ADDR	R/W	7'h26	When AMD TSI or Intel PCH SMBus is enabled, this byte is used as SMBUS_ADDR. SMBUS_ADDR[7:1] is the slave address sent by the embedded master to fetch the temperature.
0	Reserved	-	-	Reserved

6.6.9 Configuration Register — Index 09h

Bit	Name	R/W	Default	Description
7-1	I2C_ADDR	R/W	0	I2C_ADDR[7:1] is the slave address sent by the embedded master when using a block write command
0	Reserved	R/W	0	Reserved

6.6.10 Configuration Register — Index 0Ah

Bit	Name	R/W	Default	Description
7	BETA_EN	R/W	0	0: disable the T1 beta compensation. 1: enable the T1 beta compensation.
6	INTEL_MODEL	R/W	1	0: AMD model. 1: Intel model.
5-4	Reserved	-	0	Reserved.
3-2	VTT_SEL	R/W	0	PECI (Vtt) voltage select. 00: Vtt is 1.23V 01: Vtt is 1.13V 10: Vtt is 1.00V 11: Vtt is 1.00V

1	TSI_EN	R/W	0	<p>0: Disable the TSI function via PECI/PECI_REQ# or PCI_RST4#/PCI_RST5# pins.</p> <p>1: Enable the TSI function via PECI/PECI_REQ# or PCI_RST4#/PCI_RST5# pins.</p> <p>This bit accompanies with INTEL_MODEL, IBX_ALT_EN, PECI_EN, and it determines the availability of AMD TSI, Intel PCH SMBus, or PECI.</p> <table border="1"> <thead> <tr> <th>INTEL_MODEL</th> <th>TSI_EN</th> <th>PECI_EN</th> <th>IBX_ALT_EN</th> <th>PECI</th> <th>AMD_TSI</th> <th>Intel PCH SMBus</th> </tr> </thead> <tbody> <tr> <td>0</td> <td>0</td> <td>X</td> <td>X</td> <td>N</td> <td>N</td> <td>N</td> </tr> <tr> <td>0</td> <td>1</td> <td>X</td> <td>X</td> <td>N</td> <td>Y</td> <td>N</td> </tr> <tr> <td>1</td> <td>0</td> <td>1</td> <td>X</td> <td>Y</td> <td>N</td> <td>N</td> </tr> <tr> <td>1</td> <td>1</td> <td>1</td> <td>1</td> <td>Y</td> <td>N</td> <td>Y</td> </tr> <tr> <td>1</td> <td>1</td> <td>0</td> <td>X</td> <td>N</td> <td>N</td> <td>Y</td> </tr> </tbody> </table>	INTEL_MODEL	TSI_EN	PECI_EN	IBX_ALT_EN	PECI	AMD_TSI	Intel PCH SMBus	0	0	X	X	N	N	N	0	1	X	X	N	Y	N	1	0	1	X	Y	N	N	1	1	1	1	Y	N	Y	1	1	0	X	N	N	Y
INTEL_MODEL	TSI_EN	PECI_EN	IBX_ALT_EN	PECI	AMD_TSI	Intel PCH SMBus																																								
0	0	X	X	N	N	N																																								
0	1	X	X	N	Y	N																																								
1	0	1	X	Y	N	N																																								
1	1	1	1	Y	N	Y																																								
1	1	0	X	N	N	Y																																								
0	PECI_EN	R/W	0	<p>0: Disable PECI function via PECI/PECI_REQ# pins</p> <p>1: Enable PECI function via PECI/PECI_REQ# pins</p>																																										

6.6.11 Configuration Register — Index 0Bh

Bit	Name	R/W	Default	Description
7-4	CPU_SEL	R/W	0	<p>Select the Intel CPU socket number.</p> <p>0000: no CPU presented. PECI host will use Ping() command to find CPU address.</p> <p>0001: CPU is in socket 0, i.e. PECI address is 0x30.</p> <p>0010: CPU is in socket 0, i.e. PECI address is 0x31.</p> <p>0100: CPU is in socket 0, i.e. PECI address is 0x32.</p> <p>1000: CPU is in socket 0, i.e. PECI address is 0x33.</p> <p>Others are reserved.</p>
3-1	Reserved	-	0	Reserved.
0	DOMAIN1_EN	R/W	0	If the CPU is selected as dual core. Set this register 1 to read the temperature of domain1.


F71869
6.6.12 Configuration Register — Index 0Ch

Bit	Name	R/W	Default	Description
7-0	TCC_TEMP	R/W	8'h55	TCC Activation Temperature. When PECI is enabled, the absolute value of CPU temperature is calculated by the equation: $CPU_TEMP = TCC_TEMP + PECI \text{ Reading}$. The range of this register is -128 ~ 127.

6.6.13 Configuration Register — Index 0Dh

Bit	Name	R/W	Default	Description
7-0	TSI_OFFSET	R/W	8'h00	TSI Temperature offset for CPU When AMD TSI or Intel PCH SMBus is enabled, this byte is used as the offset to be added to the temperature reading of CPU.

6.6.14 Configuration Register — Index 0Fh

Bit	Name	R/W	Default	Description
7-6	Reserved	-	0	Reserved.
5	PECI_REQ_EN	R/W	1	0: disable the PECI_REQ# function. 1: Enable the PECI_REQ# function.
4-2	Reserved	-	0	Reserved.
1-0	DIG_RATE_SEL	R/W	0	Digital temperatures monitoring rate for PECI, AMD TSI, or Intel PCH SMBus. The rate is calculated by $20\text{Hz}/(\text{DIG_RATE_SEL} + 1)$.

6.6.15 Over-Voltage Shut Down Enable Register — Index 10h

Bit	Name	R/W	Default	Description
7	Reserved	-	0	Reserved.
6	V6_OVP_EN	R/W	0	Over-voltage shut down enable for VIN6
5	V5_OVP_EN	R/W	0	Over-voltage shut down enable for VIN5
4-1	Reserved	-	0	Reserved
0	V0_OVP_EN	R/W	0	Over-voltage shut down enable for VCC3V

6.6.16 Over-Voltage Status Register (Powered by VBAT) — Index 11h

Bit	Name	R/W	Default	Description
-----	------	-----	---------	-------------


F71869

7-6	Reserved	-	0	Reserved.
0	V_EXC_OVV	R/W C	0	This bit is over-voltage status. Once one of the monitored voltages (VCC3V, VIN5, VIN6) over its related over-voltage limits and its related over-voltage shut down enable bit is set, this bit will be set to 1. Write a 1 to this bit will clear it to 0. (This bit is powered by VBAT)

6.6.17 Voltage reading and limit— Index 20h- 4Fh

Address	Attribute	Default Value	Description
20h	R	--	VCC3V reading. The unit of reading is 8mV.
21h	R	--	VIN1 (Vcore) reading. The unit of reading is 8mV.
22h	R	--	VIN2 reading. The unit of reading is 8mV.
23h	R	--	VIN3 reading. The unit of reading is 8mV.
24h	R	--	VIN4 reading. The unit of reading is 8mV.
25h	R	--	VIN5 reading. The unit of reading is 8mV.
26h	R	--	VIN6 reading. The unit of reading is 8mV.
27h	R	--	VSB3V reading. The unit of reading is 8mV.
28h	R	--	VBAT reading. The unit of reading is 8mV.
29~30h	R	FF	Reserved
31h	R/W	FF	VCC over-voltage limit (V0_OVV_LIMIT). The unit is 8mv. (This byte is powered by VBAT.) The unit is 9mV.
32~35h	R	FF	Reserved
36h	R/W	FF	VIN5 over-voltage limit (V5_OVV_LIMIT). The unit is 8mv. (This byte is powered by VBAT.) The unit is 9mV.
37h	R/W	FF	VIN6 over-voltage limit (V6_OVV_LIMIT). The unit is 8mv. (This byte is powered by VBAT.) The unit is 9mV.
38~4Fh	R	FF	Reserved

Temperature Setting
6.6.18 Temperature PME# Enable Register — Index 60h

Bit	Name	R/W	Default	Description
7	EN_T3_OVT_PME	R/W	0	If set this bit to 1, PME# signal will be issued when TEMP3 exceeds OVT limit setting.
6	EN_T2_OVT_PME	R/W	0	If set this bit to 1, PME# signal will be issued when TEMP2 exceeds OVT setting.


F71869

5	EN_T1_OVT_PME	R/W	0	If set this bit to 1, PME# signal will be issued when TEMP1 exceeds OVT setting.
4	Reserved	R/W	0	Reserved
3	EN_T3_EXC_PME	R/W	0	If set this bit to 1, PME# signal will be issued when TEMP3 exceeds high limit setting.
2	EN_T2_EXC_PME	R/W	0	If set this bit to 1, PME# signal will be issued when TEMP2 exceeds high limit setting.
1	EN_T1_EXC_PME	R/W	0	If set this bit to 1, PME# signal will be issued when TEMP1 exceeds high limit setting.
0	Reserved	R/W	0	Reserved

6.6.19 Temperature Interrupt Status Register — Index 61h

Bit	Name	R/W	Default	Description
7	T3_OVT_STS	R/W	0	This bit gets 1 to indicate TEMP3 temperature sensor has exceeded OVT limit or below the “OVT limit –hysteresis”. Write 1 to clear this bit, and write 0 to ignore.
6	T2_OVT_STS	R/W	0	This bit gets 1 to indicate TEMP2 temperature sensor has exceeded OVT limit or below the “OVT limit –hysteresis”. Write 1 to clear this bit, write 0 to ignore.
5	T1_OVT_STS	R/W	0	This bit gets 1 to indicate TEMP1 temperature sensor has exceeded OVT limit or below the “OVT limit –hysteresis”. Write 1 to clear this bit, write 0 to ignore.
4	Reserved	R/W	0	Reserved
3	T3_EXC_STS	R/W	0	This bit gets 1 to indicate TEMP3 temperature sensor has exceeded high limit or below the “high limit –hysteresis”. Write 1 to clear this bit, write 0 to ignore.
2	T2_EXC_STS	R/W	0	This bit gets 1 to indicate TEMP2 temperature sensor has exceeded high limit or below the “high limit –hysteresis” limit. Write 1 to clear this bit, write 0 to ignore.
1	T1_EXC_STS	R/W	0	This bit gets 1 to indicate TEMP1 temperature sensor has exceeded high limit or below the “high limit –hysteresis” limit. Write 1 to clear this bit, write 0 to ignore.
0	Reserved	R/W	0	Reserved


F71869
6.6.20 Temperature Real Time Status Register — Index 62h

Bit	Name	R/W	Default	Description
7	T3_OVT	R/W	0	Set when the TEMP3 exceeds the OVT limit. Clear when the TEMP3 is below the “OVT limit –hysteresis” temperature.
6	T2_OVT	R/W	0	Set when the TEMP2 exceeds the OVT limit. Clear when the TEMP2 is below the “OVT limit –hysteresis” temperature.
5	T1_OVT	R/W	0	Set when the TEMP1 exceeds the OVT limit. Clear when the TEMP1 is below the “OVT limit –hysteresis” temperature.
4	Reserved	R/W	0	Reserved
3	T3_EXC	R/W	0	Set when the TEMP3 exceeds the high limit. Clear when the TEMP3 is below the “high limit –hysteresis” temperature.
2	T2_EXC	R/W	0	Set when the TEMP2 exceeds the high limit. Clear when the TEMP2 is below the “high limit –hysteresis” temperature.
1	T1_EXC	R/W	0	Set when the TEMP1 exceeds the high limit. Clear when the TEMP1 is below the “high limit –hysteresis” temperature.
0	Reserved	R/W	0	Reserved

6.6.21 Temperature BEEP Enable Register — Index 63h

Bit	Name	R/W	Default	Description
7	EN_T3_OVT_BEEP	R/W	0	If set this bit to 1, BEEP signal will be issued when TEMP3 exceeds OVT limit setting.
6	EN_T2_OVT_BEEP	R/W	0	If set this bit to 1, BEEP signal will be issued when TEMP2 exceeds OVT limit setting.
5	EN_T1_OVT_BEEP	R/W	0	If set this bit to 1, BEEP signal will be issued when TEMP1 exceeds OVT limit setting.
4	Reserved	R/W	0	Reserved
3	EN_T3_EXC_BEEP	R/W	0	If set this bit to 1, BEEP signal will be issued when TEMP3 exceeds high limit setting.
2	EN_T2_EXC_BEEP	R/W	0	If set this bit to 1, BEEP signal will be issued when TEMP2 exceeds high limit setting.
1	EN_T1_EXC_BEEP	R/W	0	If set this bit to 1, BEEP signal will be issued when TEMP1 exceeds high limit setting.
0	Reserved	R/W	0	Reserved


F71869
6.6.22 T1 OVT and High Limit Temperature Select Register — Index 64h

Bit	Name	R/W	Default	Description
7-6	Reserved	R/W	0	Reserved
5-4	OVT_TEMP_SEL	R/W	0	Select the source temperature for T1 OVT Limit. 0: Select T1 to be compared to Temperature 1 OVT Limit. 1: Select CPU temperature from PECEI to be compared to Temperature 1 OVT Limit. 2: Select CPU temperature from AMD TSI or Intel PCH SMBus to be compared to Temperature 1 OVT Limit. 3: Select the MAX temperature from Intel PCH SMBus to be compared to Temperature 1 OVT Limit.
3-2	Reserved	R/W	0	Reserved
1-0	HIGH_TEMP_SEL	R/W	0	Select the source temperature for T1 High Limit. 0: Select T1 to be compared to Temperature 1 High Limit. 1: Select CPU temperature from PECEI to be compared to Temperature 1 High Limit. 2: Select CPU temperature from AMD TSI or Intel PCH SMBus to be compared to Temperature 1 High Limit. 3: Select the MAX temperature from Intel PCH SMBus to be compared to Temperature 1 High Limit.

6.6.23 OVT and Alert Output Enable Register 1 — Index 66h

Bit	Name	R/W	Default	Description
7	EN_T3_ALERT	R	0	Enable temperature 3 alert event (asserted when temperature over high limit)
6	EN_T2_ALERT	R	0	Enable temperature 2 alert event (asserted when temperature over high limit)
5	EN_T1_ALERT	R	0	Enable temperature 1 alert event (asserted when temperature over high limit)
4	Reserved	R	0	Reserved.
3	EN_T3_OVT	R/W	0	Enable over temperature (OVT) mechanism of temperature3.
2	EN_T2_OVT	R/W	0	Enable over temperature (OVT) mechanism of temperature2.
1	EN_T1_OVT	R/W	1	Enable over temperature (OVT) mechanism of temperature1.
0	Reserved	R	0h	Reserved.



F71869

6.6.24 Reserved —Index 67~69h

Bit	Name	R/W	Default	Description
7-0	Reserved	-	-	Reserved

6.6.25 Temperature Sensor Type Register — Index 6Bh

Bit	Name	R/W	Default	Description
7-4	Reserved	RO	0	Reserved
3	T3_MODE	R/W	1	0: TEMP3 is connected to a thermistor 1: TEMP3 is connected to a BJT.(default)
2	T2_MODE	R/W	1	0: TEMP2 is connected to a thermistor. 1: TEMP2 is connected to a BJT. (default)
1	T1_MODE	R/W	1	0: TEMP1 is connected to a thermistor 1: TEMP1 is connected to a BJT.(default)
0	Reserved	R	0	Reserved

6.6.26 TEMP1 Limit Hystersis Select Register — Index 6Ch

Bit	Name	R/W	Default	Description
7-4	TEMP1_HYS	R/W	4h	Limit hysteresis. (0~15 degree C) Temperature and below the (boundary – hysteresis).
3-0	Reserved	R	0h	Reserved

6.6.27 TEMP2 and TEMP3 Limit Hystersis Select Register — Index 6Dh

Bit	Name	R/W	Default	Description
7-4	TEMP3_HYS	R/W	2h	Limit hysteresis. (0~15 degree C) Temperature and below the (boundary – hysteresis).
3-0	TEMP2_HYS	R/W	4h	Limit hysteresis. (0~15 degree C) Temperature and below the (boundary – hysteresis).

6.6.28 DIODE OPEN Status Register — Index 6Fh

Bit	Name	R/W	Default	Description
7-6	Reserved	R	-	Reserved
5	PECI_OPEN	R	-	When Peci interface is enabled, “1” indicates an error code (0x0080 or 0x0081) is received from Peci slave.
4	TSI_OPEN	R	-	When TSI interface is enabled, “1” indicates the error of not receiving NACK bit or a timeout occurred.
3	T3_DIODE_OPEN	R	-	“1” indicates external diode 3 is open


F71869

2	T2_DIODE_OPEN	R	-	"1" indicates external diode 2 is open
1	T1_DIODE_OPEN	R	-	"1" indicates external diode 1 is open
0	Reserved	R	-	Reserved

6.6.29 Temperature — Index 70h- 8Dh

Address	Attribute	Default Value	Description
70h	Reserved	FFh	Reserved
71h	Reserved	FFh	Reserved
72h	R	--	Temperature 1 reading. The unit of reading is 1°C. At the moment of reading this register.
73h	R	--	Reserved
74h	R	--	Temperature 2 reading. The unit of reading is 1°C. At the moment of reading this register.
75h	R	--	Reserved
76h	R	--	Temperature 3 reading. The unit of reading is 1°C. At the moment of reading this register.
77-79h	R	--	Reserved
7Ah	R	--	The data of CPU temperature from digital interface after IIR filter. (Available if Intel IBX or AMD TSI interface is enabled)
7Bh	R	--	The raw data of PCH temperature from digital interface. (Only available if Intel IBX interface is enabled)
7Ch	R	--	The raw data of MCH read from digital interface. (Only available if Intel IBX interface is enabled)
7Dh	R	--	The raw data of maximum temperature between CPU/PCH/MCH from digital interface. (Only available if Intel IBX interface is enabled)
7Eh	R	--	The data of CPU temperature from digital interface after IIR filter. (Only available if PECL interface is enabled)
7Fh	Reserved	FFh	Reserved
80h	Reserved	FFh	Reserved
81h	Reserved	FFh	Reserved
82h	R/W	64h	Temperature sensor 1 OVT limit. The unit is 1°C.
83h	R/W	55h	Temperature sensor 1 high limit. The unit is 1°C.
84h	R/W	64h	Temperature sensor 2 OVT limit. The unit is 1°C.


F71869

85h	R/W	55h	Temperature sensor 2 high limit. The unit is 1°C.
86h	R/W	55h	Temperature sensor 3 OVT limit. The unit is 1°C.
87h	R/W	46h	Temperature sensor 3 high limit. The unit is 1°C.
88-8Bh	R	--	Reserved
8C~8Dh	R	FFH	Reserved

6.6.30 Temperature Filter Select Register —Index 8Eh

Bit	Name	R/W	Default	Description
7-6	IIR-QUEUR3	R/W	1h	The queue time for second filter to quickly update values. 00: 8 times. 01: 12 times. 10: 16 times. (default) 11: 24 times.
5-4	IIR-QUEUR2	R/W	1h	The queue time for second filter to quickly update values. 00: 8 times. 01: 12 times. 10: 16 times. (default) 11: 24 times.
3-2	IIR-QUEUR1	R/W	1h	The queue time for second filter to quickly update values. 00: 8 timers. 01: 12 times. 10: 16 times. (default) 11: 24 times.
1-0	IIR-QUEUR_DIG	R/W	1h	The queue time for second filter to quickly update values. (for CPU temperature from PECl or TSI interface) 00: 8 timers. 01: 12 times. 10: 16 times. (default) 11: 24 times.

Fan Control Setting
6.6.31 FAN PME# Enable Register — Index 90h

Bit	Name	R/W	Default	Description
7-3	Reserved	R	0	Reserved


F71869

2	EN_FAN3_PME	R/W	0	A one enables the corresponding interrupt status bit for PME# interrupt Set this bit 1 to enable PME# function for Fan3.
1	EN_FAN2_PME	R/W	0	A one enables the corresponding interrupt status bit for PME# interrupt. Set this bit 1 to enable PME# function for Fan2.
0	EN_FAN1_PME	R/W	0	A one enables the corresponding interrupt status bit for PME# interrupt. Set this bit 1 to enable PME# function for Fan1.

6.6.32 FAN Interrupt Status Register — Index 91h

Bit	Name	R/W	Default	Description
7-3	Reserved	R	0	Reserved
2	FAN3_STS	R/W	--	This bit is set when the fan3 count exceeds the count limit. Write 1 to clear this bit, write 0 will be ignored.
1	FAN2_STS	R/W	--	This bit is set when the fan2 count exceeds the count limit. Write 1 to clear this bit, write 0 will be ignored.
0	FAN1_STS	R/W	--	This bit is set when the fan1 count exceeds the count limit. Write 1 to clear this bit, write 0 will be ignored.

6.6.33 FAN Real Time Status Register — Index 92h

Bit	Name	R/W	Default	Description
7-3	Reserved	--	0	Reserved
2	FAN3_EXC	R	--	This bit set to high mean that fan3 count can't meet expect count over than SMI time(CR9F) or when duty not zero but fan stop over then 3 sec.
1	FAN2_EXC	R	--	This bit set to high mean that fan2 count can't meet expect count over than SMI time(CR9F) or when duty not zero but fan stop over then 3 sec.
0	FAN1_EXC	R	--	This bit set to high mean that fan1 count can't meet expect count over than SMI time(CR9F) or when duty not zero but fan stop over then 3 sec.

6.6.34 FAN BEEP# Enable Register — Index 93h

Bit	Name	R/W	Default	Description
-----	------	-----	---------	-------------


F71869

7	FULL_WITH_T3_EN	R/W	0	Set one will enable FAN to force full speed when T3 over high limit.
6	FULL_WITH_T2_EN	R/W	0	Set one will enable FAN to force full speed when T2 over high limit.
5	FULL_WITH_T1_EN	R/W	0	Set one will enable FAN to force full speed when T1 over high limit.
4	Reserved	-	-	Reserved
3	Reserved	-	-	Reserved.
2	EN_FAN3_BEEP	R/W	0	A one enables the corresponding interrupt status bit for BEEP.
1	EN_FAN2_BEEP	R/W	0	A one enables the corresponding interrupt status bit for BEEP.
0	EN_FAN1_BEEP	R/W	0	A one enables the corresponding interrupt status bit for BEEP.

6.6.35 FAN Type Select Register — Index 94h
FAN_PROG_SEL = 0

Bit	Name	R/W	Default	Description
7-6	Reserved	-	-	Reserved.
5-4	FAN3_TYPE	R/W	2'b 0S	00: Output PWM mode (push pull) to control fans. 01: Use linear fan application circuit to control fan speed by fan's power terminal. 10: Output PWM mode (open drain) to control Intel 4-wire fans. 11: Reserved. Bit 0 is power on trap by FANCTRL3 0: FANCTRL3 is pull up by external resistor. 1: FANCTRL3 is pull down by internal 100K resistor.
3-2	FAN2_TYPE	R/W	2'b 0S	00: Output PWM mode (push pull) to control fans. 01: Use linear fan application circuit to control fan speed by fan's power terminal. 10: Output PWM mode (open drain) to control Intel 4-wire fans. 11: Reserved. Bit 0 is power on trap by FANCTRL2 0: FANCTRL2 is pull up by external resistor. 1: FANCTRL2 is pull down by internal 100K resistor.


F71869

1-0	FAN1_TYPE	R/W	2'b 0S	00: Output PWM mode (push pull) to control fans. 01: Use linear fan application circuit to control fan speed by fan's power terminal. 10: Output PWM mode (open drain) to control Intel 4-wire fans. 11: Reserved. Bit 0 is power on trap by FANCTRL1 0: FANCTRL1 is pull up by external resistor. 1: FANCTRL1 is pull down by internal 100K resistor.
-----	-----------	-----	--------	--

S: Register default values are decided by trapping.

FAN_PROG_SEL = 1

Bit	Name	R/W	Default	Description
7-0	FAN1_BASE_TEMP	R/W	0	This register is used to set the base temperature for FAN1 temperature adjustment. The FAN1 temperature is calculated according to the equation: $T_{fan1} = T_{now} + (T_a - T_b) * C_t$ Where T_{now} is selected by FAN1_TEMP_SEL_DIG and FAN1_TEMP_SEL. T_b is this register, T_a is selected by TFAN1_ADJ_SEL and C_t is selected by TFAN1_ADJ_UP_RATE/TFAN1_ADJ_DN_RATE. To access this register, FAN_PROG_SEL(CR9F[7]) must set to "1".

6.6.36 FAN1 Temperature Adjust Rate Register — Index 95h (FAN_PROG_SEL = 1)

Bit	Name	R/W	Default	Description
7	Reserved	-	-	Reserved
6-4	TFAN1_ADJ_UP_RATE		3'h0	This selects the weighting of the difference between T_a and T_b if T_a is higher than T_b . 3'h1: 1 ($C_t = 1$) 3'h2: 1/2 ($C_t = 1/2$) 3'h3: 1/4 ($C_t = 1/4$) 3'h4: 1/8 ($C_t = 1/8$) otherwise: 0 To access this byte, FAN_PROG_SEL must set to "1".
3	Reserved	-	-	Reserved


F71869

2-0	TFAN1_ADJ_DN _RATE	R/W	3'h0	This selects the weighting of the difference between Ta and Tb if Ta is lower than Tb. 3'h1: 1 (Ct = 1) 3'h2: 1/2 (Ct= 1/2) 3'h3: 1/4 (Ct = 1/4) 3'h4: 1/8 (Ct = 1/8) otherwise: 0 To access this byte, FAN_PROG_SEL must set to "1".
-----	-----------------------	-----	------	---

6.6.37 FAN mode Select Register — Index 96h
FAN_PROG_SEL = 0

Bit	Name	R/W	Default	Description
7-6	Reserved	-	-	Reserved
5-4	FAN3_MODE	R/W	01	00: Auto fan speed control. Fan speed will follow different temperature by different RPM defined in 0xC6-0xCE. 01: Auto fan speed control. Fan speed will follow different temperature by different duty cycle defined in 0xC6-0xCE. 10: Manual mode fan control. User can write expected RPM count to 0xC2-0xC3, and F71869F will adjust duty cycle (PWM fan type) or voltage (linear fan type) to control fan speed automatically. 11: Manual mode fan control. User can write expected duty cycle (PWM fan type) or voltage (linear fan type) to 0xC3, and F71869F will output this desired duty or voltage to control fan speed.
3-2	FAN2_MODE	R/W	01	00: Auto fan speed control. Fan speed will follow different temperature by different RPM defined in 0xB6-0xBE. 01: Auto fan speed control. Fan speed will follow different temperature by different duty cycle (voltage) defined in 0xB6-0xBE. 10: Manual mode fan control. User can write expected RPM count to 0xB2-0xB3, and F71869F will adjust duty cycle (PWM fan type) or voltage (linear fan type) to control fan speed automatically. 11: Manual mode fan control, user can write expected duty cycle (PWM fan type) or voltage (linear fan type) to 0xB3, and F71869F will output this desired duty or voltage to control fan speed.


F71869

1-0	FAN1_MODE	R/W	01	<p>00: Auto fan speed control. Fan speed will follow different temperature by different RPM defined in 0xA6-0xAE.</p> <p>01: Auto fan speed control. Fan speed will follow different temperature by different duty cycle defined in 0xA6-0xAE.</p> <p>10: Manual mode fan control, user can write expected RPM count to 0xA2-0xA3, and F71869F will auto control duty cycle (PWM fan type) or voltage (linear fan type) to control fan speed automatically.</p> <p>11: Manual mode fan control, user can write expected duty cycle (PWM fan type) or voltage (linear fan type) to 0xA3, and F71869F will output this desired duty or voltage to control fan speed.</p>
-----	-----------	-----	----	--

FAN_PROG_SEL = 1

Bit	Name	R/W	Default	Description
7-3	Reserved	-	-	Reserved
2-0	TFAN1_ADJ_SEL	R/W	0h	<p>This selects which temperature to be used as Ta for Fan1 temperature adjustment.</p> <p>001: T1 (CR72h)</p> <p>010: T2 (CR74h)</p> <p>011: T3 (CR76h)</p> <p>101: Digital T1 (CR7Ch)</p> <p>110: Digital T2 (CR7Bh)</p> <p>111: Digital T3 (CR7Ah)</p> <p>otherwise: Ta will be 0.</p> <p>To access this register FAN_PROG_SEL must set to "1".</p>

6.6.38 Auto FAN1 and FAN2 Boundary Hysteresis Select Register — Index 98h

Bit	Name	R/W	Default	Description
7-4	FAN2_HYS	R/W	4h	<p>Boundary hysteresis. (0~15 degree C)</p> <p>Segment will change when the temperature over the boundary temperature and below the (boundary – hysteresis).</p>
3-0	FAN1_HYS	R/W	4h	<p>Boundary hysteresis. (0~15 degree C)</p> <p>Segment will change when the temperature over the boundary temperature and below the (boundary – hysteresis).</p>


F71869
6.6.39 Auto FAN3 Boundary Hysteresis Select Register — Index 99h

Bit	Name	R/W	Default	Description
7-4	Reserved	-	-	Reserved.
3-0	FAN3_HYS	R/W	2h	Boundary hysteresis. (0~15 degree C) Segment will change when the temperature over the boundary temperature and below the (boundary – hysteresis).

6.6.40 Auto Fan Up Speed Update Rate Select Register— Index 9Bh
FAN_PROG_SEL = 0

Bit	Name	R/W	Default	Description
7-6	Reserved	-	-	Reserved.
5-4	FAN3_UP_RATE	R/W	01	Fan3 duty update rate: 00: 2Hz 01: 5Hz (default) 10: 10Hz 11: 20Hz
3-2	FAN2_UP_RATE	R/W	01	Fan2 duty update rate: 00: 2Hz 01: 5Hz (default) 10: 10Hz 11: 20Hz
1-0	FAN1_UP_RATE	R/W	01	Fan1 duty update rate: 00: 2Hz 01: 5Hz (default) 10: 10Hz 11: 20Hz

FAN_PROG_SEL = 1

Bit	Name	R/W	Default	Description
7-6	Reserved	-	-	Reserved.
5-4	FAN3_DN_RATE	R/W	01	Fan3 duty update rate: 00: 2Hz 01: 5Hz (default) 10: 10Hz 11: 20Hz


F71869

3-2	FAN2_DN_RATE	R/W	01	Fan2 duty update rate: 00: 2Hz 01: 5Hz (default) 10: 10Hz 11: 20Hz
1-0	FAN1_DN_RATE	R/W	01	Fan1 duty update rate: 00: 2Hz 01: 5Hz (default) 10: 10Hz 11: 20Hz

6.6.41 FAN1 and FAN2 START UP DUTY-CYCLE/VOLTAGE — Index 9Ch

Bit	Name	R/W	Default	Description
7-4	FAN2_STOP_DUTY	R/W	5h	When fan start, the FAN_CTRL2 will increase duty-cycle from 0 to this (value x 8) directly. And if fan speed is down, the FAN_CTRL 2 will decrease duty-cycle to 0 when the PWM duty cycle is less than this (value x 4).
3-0	FAN1_STOP_DUTY	R/W	5h	When fan start, the FAN_CTRL 1 will increase duty-cycle from 0 to this (value x 8 directly. And if fan speed is down, the FAN_CTRL 1 will decrease duty-cycle to 0 when the PWM duty cycle is less than this (value x 4).

6.6.42 FAN3 START UP DUTY-CYCLE/VOLTAGE — Index 9Dh

Bit	Name	R/W	Default	Description
7-4	Reserved	-	-	Reserved.
3-0	FAN3_STOP_DUTY	R/W	5h	When fan start, the FAN_CTRL 3 will increase duty-cycle from 0 to this (value x 8 directly. And if fan speed is down, the FAN_CTRL 3 will decrease duty-cycle to 0 when the PWM duty cycle is less than this (value x 4).

6.6.43 FAN PROGRAMMABLE DUTY-CYCLE/VOLTAGE LOADED AFTER POWER-ON — Index 9Eh

Bit	Name	R/W	Default	Description
7-0	PROG_DUTY_VAL	R/W	66h	This byte will be immediately loaded as Fan duty value after VDD is powered on if it has been programmed before shut down.



F71869

6.6.44 Fan Fault Time Register — Index 9Fh

Bit	Name	R/W	Default	Description
7	FAN_PROG_SEL	R/W	0	Set this bit to "1" will enable accessing registers of other bank.
6-5	Reserved	-	-	Reserved
4	FULL_DUTY_SEL	R/W	-	0: The Fan Duty is 100% and will be loaded immediately after VDD is powered on if CR9E is not been programmed before shut down. (pull down by external resistor) 1: The Fan Duty is 40% and will be loaded immediately after VDD is powered on if CR9E is not been programmed before shut down. (pull up by internal 47K resistor). This register is power on trap by DTR1#.
3-0	F_FAULT_TIME	R/W	Ah	This register determines the time of fan fault. The condition to cause fan fault event is: When PWM_Duty reaches FFh, if the fan speed count can't reach the fan expect count in time. The unit of this register is 1 second. The default value is 11 seconds. (Set to 0 , means 1 seconds. ; Set to 1, means 2 seconds. Set to 2, means 3 seconds.) Another condition to cause fan fault event is fan stop and the PWM duty is greater than the minimum duty programmed by the register index 9C-9Dh.

6.6.45 FAN1 Index A0h~AFh

Address	Attribute	Default Value	Description
A0h	RO	8'h0f	FAN1 count reading (MSB). At the moment of reading this register, the LSB will be latched. This will prevent from data updating when reading. To read the fan count correctly, read MSB first and followed read the LSB.
A1h	RO	8'hff	FAN1 count reading (LSB).
A2h	R/W	8'h00	RPM mode(CR96 bit0=0): FAN1 expect speed count value (MSB), in auto fan mode (CR96 bit1→0) this register is auto updated by hardware. Duty mode(CR96 bit0=1): This byte is reserved byte.
A3h	R/W	8'h01	RPM mode(CR96 bit0=0): FAN1 expect speed count value (LSB) or expect PWM duty, in auto

			fan mode this register is auto updated by hardware and read only. Duty mode(CR96 bit0=1): The Value programming in this byte is duty value. In auto fan mode (CR96 bit1→0) this register is updated by hardware. Ex: 5→ 5*100/255 % 255 → 100%
A4h	R/W	8'h03	FAN1 full speed count reading (MSB). At the moment of reading this register, the LSB will be latched. This will prevent from data updating when reading. To read the fan count correctly, read MSB first and followed read the LSB.
A5h	R/W	8'hff	FAN1 full speed count reading (LSB).

6.6.46 VT1 BOUNDARY 1 TEMPERATURE – Index A6h

Bit	Name	R/W	Default	Description
7-0	BOUND1TMP1	R/W	3Ch (60°C)	The first boundary temperature for VT1 in temperature mode. When VT1 temperature exceeds this boundary, expected FAN1 value will be loaded from segment 1 register (index AAh). When VT1 temperature is under this boundary – hysteresis, expected FAN1 value will be loaded from segment 2 register (index ABh). This byte is a 2's complement value ranged from -128°C ~ 127°C.

6.6.47 VT1 BOUNDARY 2 TEMPERATURE – Index A9h

Bit	Name	R/W	Default	Description
7-0	BOUND2TMP1	R/W	1Eh (30°C)	The second boundary temperature for VT1 in temperature mode. When VT1 temperature exceeds this boundary, FAN1 expect value will load from segment 2 register (index ABh). When VT1 temperature is under this boundary – hysteresis, FAN1 expect value will load from segment 3 register (index AEh). This byte is a 2's complement value ranging from -128°C ~ 127°C.

6.6.48 FAN1 SEGMENT 1 SPEED COUNT – Index AAh

Bit	Name	R/W	Default	Description
-----	------	-----	---------	-------------


F71869

7-0	SEC1SPEED1	R/W	FFh (100%)	<p>The meaning of this register is depending on the FAN1_MODE(CR96)</p> <p>2'b00: The value that set in this byte is the relative expect fan speed % of the full speed in this temperature section.</p> <p>Ex: 100%:full speed: User must set this register to 0. 60% full speed: $(100-60)*32/60$, so user must program 21 to this reg. X% full speed: The value programming in this byte is $\rightarrow (100-X)*32/X$</p> <p>2'b01: The value that set in this byte is mean the expect PWM duty-cycle in this temperature section.</p>
-----	------------	-----	---------------	--

6.6.49 FAN1 SEGMENT 2 SPEED COUNT – Index ABh

Bit	Name	R/W	Default	Description
7-0	SEC2SPEED1	R/W	D9h (85%)	<p>The meaning of this register is depending on the FAN1_MODE(CR96)</p> <p>2'b00: The value that set in this byte is the relative expect fan speed % of the full speed in this temperature section.</p> <p>2'b01: The value that set in this byte is mean the expect PWM duty-cycle in this temperature section.</p>

6.6.50 FAN1 SEGMENT 3 SPEED COUNT – Index AEh

Bit	Name	R/W	Default	Description
7-0	SEC3SPEED1	R/W	80h (50%)	<p>The meaning of this register is depending on the FAN1_MODE(CR96)</p> <p>2'b00: The value that set in this byte is the relative expect fan speed % of the full speed in this temperature section.</p> <p>2'b01: The value that set in this byte is mean the expect PWM duty-cycle in this temperature section.</p>

6.6.51 FAN1 Temperature Mapping Select – Index AFh

Bit	Name	R/W	Default	Description
7	FAN1_TEMP_SEL_DIG	R/W	0	This bit companies with FAN1_TEMP_SEL select the temperature source for controlling FAN1.
6	FAN1_PWM_FREQ_SEL	R/W	0	Set this bit to select FAN2 PWM output frequency. 0: 23.5 kHz 1: 220 Hz
5	FAN1_UP_T_EN	R/W	0	Set 1 to force FAN1 to full speed if any temperature over its high limit.
4	FAN1_INTERPOLATION_EN	R/W	1	Set 1 will enable the interpolation of the fan expect table.


F71869

3	FAN1_JUMP_HIGH_EN	R/W	1	<p>This register controls the FAN1 duty movement when temperature over highest boundary.</p> <p>0: The FAN1 duty will increases with the slope selected by FAN1_RATE_SEL register.</p> <p>1: The FAN1 duty will directly jumps to the value of SEC1SPEED1 register.</p> <p>This bit only activates in duty mode.</p>
2	FAN1_JUMP_LOW_EN	R/W	1	<p>This register controls the FAN1 duty movement when temperature under (highest boundary – hysteresis).</p> <p>0: The FAN1 duty will decreases with the slope selected by FAN1_RATE_SEL register.</p> <p>1: The FAN1 duty will directly jumps to the value of SEC2SPEED1 register.</p> <p>This bit only activates in duty mode.</p>
1-0	FAN1_TEMP_SEL	R/W	01	<p>This registers company with FAN1_TEMP_SEL_DIG select the temperature source for controlling FAN1. The following value is comprised by {FAN1_TEMP_SEL_DIG, FAN1_TEMP_SEL}</p> <p>000: fan1 follows PECl temperature (CR7Eh)</p> <p>001: fan1 follows temperature 1 (CR72h).</p> <p>010: fan1 follows temperature 2 (CR74h).</p> <p>011: fan1 follows temperature 3 (CR76h).</p> <p>100: fan1 follows IBX/TSI CPU temperature (CR7Ah)</p> <p>101: fan1 follows IBX PCH temperature (CR7Bh).</p> <p>110: fan1 follows IBX MCH temperature (CR7Ch).</p> <p>111: fan1 follows IBX maximum temperature (CR7Dh).</p> <p>Others are reserved.</p>

6.6.52 FAN2 Index B0h~BFh

Address	Attribute	Default Value	Description
B0h	RO	8'h0f	FAN2 count reading (MSB). At the moment of reading this register, the LSB will be latched. This will prevent from data updating when reading. To read the fan count correctly, read MSB first and followed read the LSB.
B1h	RO	8'hff	FAN2 count reading (LSB).
B2h	R/W	8'h00	RPM mode(CR96 bit2=0): FAN2 expect speed count value (MSB), in auto fan mode(CR96


F71869

			bit3→0) this register is auto updated by hardware. Duty mode(CR96 bit2=1): This byte is reserved byte.
B3h	R/W	8'h01	RPM mode(CR96 bit2=0): FAN2 expect speed count value (LSB) or expect PWM duty , in auto fan mode this register is auto updated by hardware and read only. Duty mode(CR96 bit2=1): The Value programming in this byte is duty value. In auto fan mode(CR96 bit3→0) this register is updated by hardware. Ex: 5→ 5*100/255 % 255 → 100%
B4h	R/W	8'h03	FAN2 full speed count reading (MSB). At the moment of reading this register, the LSB will be latched. This will prevent from data updating when reading. To read the fan count correctly, read MSB first and followed read the LSB.
B5h	R/W	8'hff	FAN2 full speed count reading (LSB).

6.6.53 VT2 BOUNDARY 1 TEMPERATURE – Index B6h

Bit	Name	R/W	Default	Description
7-0	BOUND1TMP2	R/W	3Ch (60°C)	The first boundary temperature for VT2 in temperature mode. When VT2 temperature exceeds this boundary, FAN2 expect value will load from segment 1 register (index Bah). When VT2 temperature is under this boundary – hysteresis, FAN2 expect value will load from segment 2 register (index BAh). This byte is a 2's complement value ranging from -128°C ~ 127°C. Bit 7 will always be "0" (always positive) if FAN_NEG_TEMP_EN is "0".

6.6.54 VT2 BOUNDARY 2 TEMPERATURE – Index B7h

Bit	Name	R/W	Default	Description
-----	------	-----	---------	-------------


F71869

7-0	BOUND2TMP2	R/W	1Eh (30°C)	<p>The second boundary temperature for VT2 in temperature mode.</p> <p>When VT2 temperature exceeds this boundary, FAN2 expect value will load from segment 2 register (index BB)h.</p> <p>When VT2 temperature is under this boundary – hysteresis, FAN2 expect value will load from segment 3 register (index BBh).</p> <p>This byte is a 2's complement value ranging from -128°C ~ 127°C. Bit 7 will always be "0" (always positive) if FAN_NEG_TEMP_EN is "0".</p>
-----	------------	-----	---------------	---

6.6.55 FAN2 SEGMENT 1 SPEED COUNT – Index BAh

Bit	Name	R/W	Default	Description
7-0	SEC1SPEED2	R/W	FFh (100%)	<p>The meaning of this register is depending on the FAN2_MODE(CR96)</p> <p>2'b00: The value that set in this byte is the relative expect fan speed % of the full speed in this temperature section.</p> <p>Ex: 100%:full speed: User must set this register to 0. 60% full speed: $(100-60)*32/60$, so user must program 21 to this reg. X% full speed: The value programming in this byte is $\rightarrow (100-X)*32/X$</p> <p>2'b01: The value that set in this byte is mean the expect PWM duty-cycle in this temperature section.</p>

6.6.56 FAN2 SEGMENT 2 SPEED COUNT – Index BBh

Bit	Name	R/W	Default	Description
7-0	SEC2SPEED2	R/W	D9h (85%)	<p>The meaning of this register is depending on the FAN2_MODE(CR96)</p> <p>2'b00: The value that set in this byte is the relative expect fan speed % of the full speed in this temperature section.</p> <p>2'b01: The value that set in this byte is mean the expect PWM duty-cycle in this temperature section.</p>

6.6.57 FAN2 SEGMENT 3 SPEED COUNT – Index BEh

Bit	Name	R/W	Default	Description
7-0	SEC3SPEED2	R/W	80h (50%)	<p>The meaning of this register is depending on the FAN2_MODE(CR96)</p> <p>2'b00: The value that set in this byte is the relative expect fan speed % of the full speed in this temperature section.</p> <p>2'b01: The value that set in this byte is mean the expect PWM duty-cycle in this temperature section.</p>


F71869
6.6.58 FAN2 Temperature Mapping Select – Index BFh

Bit	Name	R/W	Default	Description
7	FAN2_TEMP_SEL_DIG	R/W	0	This bit companies with FAN2_TEMP_SEL to select the temperature source for controlling FAN2.
6	FAN2_PWM_FREQ_SEL	R/W	0	Set this bit to select FAN2 PWM output frequency. 0: 23.5 kHz 1: 220 Hz
5	FAN2_UP_T_EN	R/W	0	Set 1 to force FAN2 to full speed if any temperature over its high limit.
4	FAN2_INTERPOLATION_EN	R/W	1	Set 1 will enable the interpolation of the fan expect table.
3	FAN2_JUMP_HIGH_EN	R/W	1	This register controls the FAN2 duty movement when temperature over highest boundary. 0: The FAN2 duty will increases with the slope selected by FAN2_RATE_SEL register. 1: The FAN2 duty will directly jumps to the value of SEC1SPEED2 register. This bit only activates in duty mode.
2	FAN2_JUMP_LOW_EN	R/W	1	This register controls the FAN2 duty movement when temperature under (highest boundary – hysteresis). 0: The FAN2 duty will decreases with the slope selected by FAN2_RATE_SEL register. 1: The FAN2 duty will directly jumps to the value of SEC2SPEED2 register. This bit only activates in duty mode.
1-0	FAN2_TEMP_SEL	R/W	10	This registers companying with FAN2_TEMP_SEL_DIG select the temperature source for controlling FAN2. The following value is comprised by {FAN2_TEMP_SEL_DIG, FAN2_TEMP_SEL} 000: fan1 follows PECL temperature (CR7Eh) 001: fan1 follows temperature 1 (CR72h). 010: fan1 follows temperature 2 (CR74h). 011: fan1 follows temperature 3 (CR76h). 100: fan1 follows IBEX/TSI CPU temperature (CR7Ah) 101: fan1 follows IBEX PCH temperature (CR7Bh). 110: fan1 follows IBEX MCH temperature (CR7Ch). 111: fan1 follows IBEX maximum temperature (CR7Dh). Otherwise: reserved.



F71869

6.6.59 FAN3 Index C0h- CFh

Address	Attribute	Default Value	Description
C0h	RO	8'h0F	FAN3 count reading (MSB). At the moment of reading this register, the LSB will be latched. This will prevent from data updating when reading. To read the fan count correctly, read MSB first and followed read the LSB.
C1h	RO	8'hff	FAN3 count reading (LSB).
C2h	R/W	8'h00	RPM mode(CR96 bit4=0): FAN3 expect speed count value (MSB), in auto fan mode(CR96 bit5→0) this register is auto updated by hardware. Duty mode(CR96 bit4=1): This byte is reserved byte.
C3h	R/W	8'h01	RPM mode(CR96 bit4=0): FAN3 expect speed count value (LSB) or expect PWM duty , in auto fan mode this register is auto updated by hardware and read only. Duty mode(CR96 bit4=1): The Value programming in this byte is duty value. In auto fan mode(CR96 bit5→0) this register is updated by hardware. Ex: 5 → 5*100/255 % 255 → 100%
C4h	R/W	8'h03	FAN3 full speed count reading (MSB). At the moment of reading this register, the LSB will be latched. This will prevent from data updating when reading. To read the fan count correctly, read MSB first and followed read the LSB.
C5h	R/W	8'hff	FAN3 full speed count reading (LSB).

6.6.60 VT3 BOUNDARY 1 TEMPERATURE – Index C6h

Bit	Name	R/W	Default	Description
7-0	BOUND1TMP3	R/W	3Ch (60°C)	The first boundary temperature for VT3 in temperature mode. When VT3 temperature exceeds this boundary, FAN3 expect value will load from segment 1 register (index CA)h. When VT3 temperature is under this boundary – hysteresis, FAN3 expect value will load from segment 2 register (index CAh). This byte is a 2's complement value ranging from -128°C ~ 127°C.



F71869

6.6.61 VT3 BOUNDARY 2 TEMPERATURE – Index C9h

Bit	Name	R/W	Default	Description
7-0	BOUND2TMP3	R/W	1Eh (30°C)	The second boundary temperature for VT3 in temperature mode. When VT3 temperature exceeds this boundary, FAN3 expect value will load from segment 2 register (index CBh). When VT3 temperature is under this boundary – hysteresis, FAN3 expect value will load from segment 3 register (index CBh). This byte is a 2's complement value ranging from -128°C ~ 127°C.

6.6.62 FAN3 SEGMENT 1 SPEED COUNT – Index CAh

Bit	Name	R/W	Default	Description
7-0	SEC1SPEED3	R/W	FFh (100%)	The meaning of this register is depending on the FAN3_MODE(CR96) 2'b00: The value that set in this byte is the relative expect fan speed % of the full speed in this temperature section. Ex: 100%:full speed: User must set this register to 0. 60% full speed: $(100-60)*32/60$, so user must program 21 to this reg. X% full speed: The value programming in this byte is $\rightarrow (100-X)*32/X$ 2'b01: The value that set in this byte is mean the expect PWM duty-cycle in this temperature section.

6.6.63 FAN3 SEGMENT 2 SPEED COUNT – Index CBh

Bit	Name	R/W	Default	Description
7-0	SEC2SPEED3	R/W	D9h (85%)	The meaning of this register is depending on the FAN3_MODE(CR96) 2'b00: The value that set in this byte is the relative expect fan speed % of the full speed in this temperature section. 2'b01: The value that set in this byte is mean the expect PWM duty-cycle in this temperature section.

6.6.64 FAN3 SEGMENT 3 SPEED COUNT – Index CEh

Bit	Name	R/W	Default	Description
7-0	SEC3SPEED3	R/W	80h (50%)	The meaning of this register is depending on the FAN3_MODE(CR96) 2'b00: The value that set in this byte is the relative expect fan speed % of the full speed in this temperature section. 2'b01: The value that set in this byte is mean the expect PWM duty-cycle in this temperature section.


F71869
6.6.65 FAN3 Temperature Mapping Select – Index CFh

Bit	Name	R/W	Default	Description
7	FAN3_TEMP_SEL_DIG	R/W	0	This bit companies with FAN3_TEMP_SEL select the temperature source for controlling FAN3.
6	FAN3_PWM_FREQ_SEL	R/W	0	Set this bit to select FAN3 PWM output frequency. 0: 23.5 kHz 1: 220 Hz
5	FAN3_UP_T_EN	R/W	0	Set 1 to force FAN3 to full speed if any temperature over its high limit.
4	FAN3_INTERPOLATION_EN	R/W	1	Set 1 will enable the interpolation of the fan expect table.
3	FAN3_JUMP_HIGH_EN	R/W	1	This register controls the FAN3 duty movement when temperature over highest boundary. 0: The FAN3 duty will increases with the slope selected by FAN3_RATE_SEL register. 1: The FAN3 duty will directly jumps to the value of SEC1SPEED3 register. This bit only activates in duty mode.
2	FAN3_JUMP_LOW_EN	R/W	1	This register controls the FAN3 duty movement when temperature under (highest boundary – hysteresis). 0: The FAN3 duty will decreases with the slope selected by FAN3_RATE_SEL register. 1: The FAN3 duty will directly jumps to the value of SEC2SPEED3 register. This bit only activates in duty mode.
1-0	FAN3_TEMP_SEL	R/W	11	This registers companying with FAN3_TEMP_SEL_DIG select the temperature source for controlling FAN3. The following value is comprised by {FAN3_TEMP_SEL_DIG, FAN3_TEMP_SEL} 000: fan1 follows PECL temperature (CR7Eh) 001: fan1 follows temperature 1 (CR72h). 010: fan1 follows temperature 2 (CR74h). 011: fan1 follows temperature 3 (CR76h). 100: fan1 follows IBEX/TSI CPU temperature (CR7Ah) 101: fan1 follows IBEX PCH temperature (CR7Bh). 110: fan1 follows IBEX MCH temperature (CR7Ch). 111: fan1 follows IBEX maximum temperature (CR7Dh). Otherwise: reserved.



F71869

6.6.66 TSI Temperature 0 – Index E0h

Bit	Name	R/W	Default	Description
7-0	TSI_TEMP0	R/W	-	This is the AMD TSI reading if AMD TSI enable. And will be highest temperature among CPU, MCH and PCH if Intel temperature interface enable. The range is 0~255°C. To access this byte, MCH_BANK_SEL must set to "0".
	SMB_DATA0	R/W	8'h00	This byte is used as multi-purpose: <ol style="list-style-type: none"> 6. The received data of receive protocol. 7. The first received byte of read word protocol. 8. The 10th received byte of read block protocol. 9. The sent data for send byte protocol and write byte protocol. 10. The first send byte for write word protocol. 11. The first send byte for write block protocol. To access this byte, MCH_BANK_SEL should be set to "1".

6.6.67 TSI Temperature 1 – Index E1h

Bit	Name	R/W	Default	Description
7-0	TSI_TEMP1	R	-	This is the high byte of Intel temperature interface PCH reading. The range is 0~255°C. To access this byte, MCH_BANK_SEL should be set to "0".
	SMB_DATA1	R/W	8'h00	This byte is used as multi-purpose: <ol style="list-style-type: none"> 1. The second received byte of read word protocol. 2. The 11th received byte of read block protocol. 3. The second send byte for write word protocol. 4. The second send byte for write block protocol. To access this byte, MCH_BANK_SEL should be set to "1".

6.6.68 TSI Temperature 2 Low Byte – Index E2h

Bit	Name	R/W	Default	Description
7-0	TSI_TEMP2_LO	R	-	This is the low byte of Intel temperature interface CPU reading. The reading is the fraction part of CPU temperature. Bit 0 indicates the error status. 0: No error. 1: Error code. To access this byte, MCH_BANK_SEL should be set to "0".


F71869

SMB_DATA2	R/W	8'h00	This is the 12 th byte of the block read protocol. This byte is also used as the 3rd byte of block write protocol. To access this byte, MCH_BANK_SEL should be set to "1".
-----------	-----	-------	---

6.6.69 TSI Temperature 2 High Byte – Index E3h

Bit	Name	R/W	Default	Description
7-0	TSI_TEMP2_HI	R	-	This is the high byte of Intel temperature interface CPU reading. The reading is the decimal part of CPU temperature. To access this byte, MCH_BANK_SEL should be set to "0".
	SMB_DATA3	R/W	8'h00	This is the 13 th byte of the block read protocol. This byte is also used as the 4th byte of block write protocol. To access this byte, MCH_BANK_SEL should be set to "1".

6.6.70 TSI Temperature 3 – Index E4h

Bit	Name	R/W	Default	Description
7-0	TSI_TEMP3	R	-	This is the high byte of Intel temperature interface MCH reading. The range is 0~255°C. To access this byte, MCH_BANK_SEL should be set to "0".
	SMB_DATA4	R/W	8'h00	This is the 14 th byte of the block read protocol. This byte is also used as the 5th byte of block write protocol. To access this byte, MCH_BANK_SEL should be set to "1".

6.6.71 TSI Temperature 4 – Index E5h

Bit	Name	R/W	Default	Description
7-0	TSI_TEMP4	R	-	This is the high byte of Intel temperature interface DIMM0 reading. The range is 0~255°C. To access this byte, MCH_BANK_SEL should be set to "0".
	SMB_DATA5	R/W	8'h00	This is the 15 th byte of the block read protocol. This byte is also used as the 6th byte of block write protocol. To access this byte, MCH_BANK_SEL should be set to "1".

6.6.72 TSI Temperature 5 – Index E6h

Bit	Name	R/W	Default	Description
7-0	TSI_TEMP5	R	-	This is the high byte of Intel temperature interface DIMM1 reading. The range is 0~255°C. To access this byte, MCH_BANK_SEL should be set to "0".


F71869

SMB_DATA6	R/W	8'h00	This is the 16 th byte of the block read protocol. This byte is also used as the 7th byte of block write protocol. To access this byte, MCH_BANK_SEL should be set to "1".
-----------	-----	-------	---

6.6.73 TSI Temperature 6 – Index E7h

Bit	Name	R/W	Default	Description
7-0	TSI_TEMP6	R	-	This is the high byte of Intel temperature interface DIMM2 reading. The range is 0~255°C. To access this byte, MCH_BANK_SEL should be set to "0".
	SMB_DATA7	R/W	8'h00	This is the 17 th byte of the block read protocol. This byte is also used as the 8th byte of block write protocol. To access this byte, MCH_BANK_SEL should be set to "1".

6.6.74 TSI Temperature 7 – Index E8h

Bit	Name	R/W	Default	Description
7-0	TSI_TEMP7	R	-	This is the high byte of Intel temperature interface DIMM3 reading. The range is 0~255°C. The above 9 bytes could also be used as the read data of block read protocol if the TSI is disable or pending.
	SMB_DATA8	R/W	8'h00	This is the 18 th byte of the block read protocol. This byte is also used as the 9th byte of block write protocol. To access this byte, MCH_BANK_SEL should be set to "1".

6.6.75 SMB Data Buffer 9 – Index E9h

Bit	Name	R/W	Default	Description
7-0	SMB_DATA9	R/W	FFh	This is the 18 th byte of the block read protocol. This byte is also used as the 9th byte of block write protocol. To access this byte, MCH_BANK_SEL should be set to "1".

6.6.76 Block Write Count Register – Index ECh

Bit	Name	R/W	Default	Description
7	MCH_BANK_SEL	R/W	0	This bit is used to select the register in index E0h to E9h. Set "0" to read the temperature bank and "1" to access the data bank.
6	Reserved	-	0	Reserved
5-0	BLOCK_WR_CNT	R/W	0	Use the register to specify the byte count of block write protocol. Support up to 10 bytes.


F71869
6.6.77 SMB Command Byte/TSI Command Byte – Index EDh

Bit	Name	R/W	Default	Description
7-0	SMB_CMD/TSI_CMD	R/W	0/1	There are actual two bytes for this index. TSI_CMD_PROG select which byte to be programmed: 0: SMB_CMD, which is the command code for write byte/word, read byte/word, block write/read and process call protocol. 1: TSI_CMD, which is the command code for Intel temperature interface block read protocol and the data byte for AMD TSI send byte protocol.

6.6.78 SMB Status – Index EEh

Bit	Name	R/W	Default	Description
7	TSI_PENDING	R/W	0	Set 1 to pending auto TSI accessing. (In AMD model, auto accessing will issue a send-byte followed a receive-byte; In Intel model, auto accessing will issue a block read). To use the TSI_SCL/TSI_SDA as a SMBus master, set this bit to "1" first.
6	TSI_CMD_PROG	R/W	0	Set 1 to program TSI_CMD.
5	PROC_KILL	R/W	0	Kill the current SMBus transfer and return the state machine to idle. It will set an fail status if the current transfer is not completed.
4	FAIL_STS	R	0	This is set when PROC_KILL kill a un-completed transfer. It will be auto cleared by next SMBus transfer.
3	SMB_ABT_ERR	R	0	This is the arbitration lost status if a SMBus command is issued. Auto cleared by next SMBus command.
2	SMB_TO_ERR	R	0	This is the timeout status if a SMBus command is issued. Auto cleared by next SMBus command.
1	SMB_NAC_ERR	R	0	This is the NACK error status if a SMBus command is issued. Auto cleared by next SMBus command.
0	SMB_READY	R	1	0: a SMBus transfer is in process. 1: Ready for next SMBus command.

6.6.79 SMB Protocol Select – Index EFh

Bit	Name	R/W	Default	Description
7	SMB_START	W	0	Write "1" to trigger a SMBus transfer with the protocol specified by SMB_PROTOCOL.
6-4	Reserved	-	-	Reserved.


F71869

3-0	SMB_PROTOCOL	R/W	0	Select what protocol if a SMBus transfer is triggered. 0001b: send byte. 0010b: write byte. 0011b: write word. 0100b: Reserved. 0101b: block write. 0111b: quick command (write). 1001b: receive byte. 1010b: read byte. 1011b: Reserved 1101b: block read. 1111b: Reserved Otherwise: reserved.
-----	--------------	-----	---	--

6.7 KBC Registers (CR05)

6.7.1 KBC Device Enable Register — Index 30h

Bit	Name	R/W	Default	Description
7-1	Reserved	-	-	Reserved
0	KBC_EN	R/W	1	0: disable KBC. 1: enable KBC.

6.7.2 Base Address High Register — Index 60h

Bit	Name	R/W	Default	Description
7-0	BASE_ADDR_HI	R/W	00h	The MSB of KBC command port address. The address of data port is command port address + 4;

6.7.3 Base Address Low Register — Index 61h

Bit	Name	R/W	Default	Description
7-0	BASE_ADDR_LO	R/W	60h	The LSB of KBC command port address. The address of data port is command port address + 4.

6.7.4 KBC IRQ Channel Select Register — Index 70h

Bit	Name	R/W	Default	Description
7-4	Reserved	-	-	Reserved.
3-0	SELKIRQ	R/W	1h	Select the IRQ channel for keyboard interrupt.

6.7.5 Mouse IRQ Channel Select Register — Index 72h


F71869

Bit	Name	R/W	Default	Description
7-4	Reserved	-	-	Reserved.
3-0	SELMIRQ	R/W	Ch	Select the IRQ channel for PS/2 mouse interrupt.

6.7.6 Auto Swap Register — Index FEh (Powered by VBAT)

Bit	Name	R/W	Default	Description
7	AUTO_DET_EN	R/W	1b	0: disable auto detect keyboard/mouse swap. 1: enable auto detect keyboard/mouse swap.
6-5	Reserved	-	-	Reserved.
4	KB_MO_SWAP	R/W	0b	0: Keyboard/mouse not swap. 1: Keyboard/mouse swap. This bit is set/clear by hardware if AUTO_DET_EN is set to "1". Users could also program this bit manually.
3-0	Reserved	-	1h	Reserved

6.8 GPIO Registers (CR06)
6.8.1 GPIO Device Enable Register — Index 30h

Bit	Name	R/W	Default	Description
7-1	Reserved	-	-	Reserved
0	GPIO_EN	R/W	0	0: disable GPIO I/O Port. 1: enable GPIO I/O Port.

6.8.2 Base Address High Register — Index 60h

Bit	Name	R/W	Default	Description
7-0	BASE_ADDR_HI	R/W	00h	The MSB of GPIO index/data port address. The index port is BASE_ADDR[15:2] + 5 and the data port is BASE_ADDR[15:2] + 6.

6.8.3 Base Address Low Register — Index 61h

Bit	Name	R/W	Default	Description
7-0	BASE_ADDR_LO	R/W	00h	The LSB of GPIO index/data port address. The index port is BASE_ADDR[15:2] + 5 and the data port is BASE_ADDR[15:2] + 6.


F71869
6.8.4 GPIRQ Channel Select Register — Index 70h

Bit	Name	R/W	Default	Description
7-4	Reserved	-	-	Reserved.
3-0	SELGPIRQ	R/W	0h	Select the IRQ channel for GPIO interrupt.

6.8.5 GPIO0 Output Enable Register — Index F0h

Bit	Name	R/W	Default	Description
7-6	Reserved	-	-	Reserved.
5	GPIO05_OE	R/W	0	0: GPIO05 is in input mode. 1: GPIO05 is in output mode.
4	GPIO04_OE	R/W	0	0: GPIO04 is in input mode. 1: GPIO04 is in output mode.
3	GPIO03_OE	R/W	0	0: GPIO03 is in input mode. 1: GPIO03 is in output mode.
2	GPIO02_OE	R/W	0	0: GPIO02 is in input mode. 1: GPIO02 is in output mode.
1	GPIO01_OE	R/W	0	0: GPIO01 is in input mode. 1: GPIO01 is in output mode.
0	GPIO00_OE	R/W	0	0: GPIO00 is in input mode. 1: GPIO00 is in output mode.

6.8.6 GPIO0 Output Data Register — Index F1h

Bit	Name	R/W	Default	Description
7-6	Reserved	-	-	Reserved.
5	GPIO05_VAL	R/W	1	0: GPIO05 outputs 0 when in output mode. 1: GPIO05 outputs 1 when in output mode.
4	GPIO04_VAL	R/W	1	0: GPIO04 outputs 0 when in output mode. 1: GPIO04 outputs 1 when in output mode.
3	GPIO03_VAL	R/W	1	0: GPIO03 outputs 0 when in output mode. 1: GPIO03 outputs 1 when in output mode.
2	GPIO02_VAL	R/W	1	0: GPIO02 outputs 0 when in output mode. 1: GPIO02 outputs 1 when in output mode.
1	GPIO01_VAL	R/W	1	0: GPIO01 outputs 0 when in output mode. 1: GPIO01 outputs 1 when in output mode.
0	GPIO00_VAL	R/W	1	0: GPIO00 outputs 0 when in output mode. 1: GPIO00 outputs 1 when in output mode.

6.8.7 GPIO Pin Status Register — Index F2h

Bit	Name	R/W	Default	Description
7-6	Reserved	-	-	Reserved.


F71869

5	GPIO05_IN	R	-	The pin status of 3VSBSW/GPIO05
4	GPIO04_IN	R	-	The pin status of SLOTOCC#/GPIO04
3	GPIO03_IN	R	-	The pin status of TIMING1/GPIO03
2	GPIO02_IN	R	-	The pin status of TIMING2/GPIO02
1	GPIO01_IN	R	-	The pin status of TIMING4/GPIO01
0	GPIO00_IN	R	-	The pin status of TIMING3/GPIO00

6.8.8 GPIO Drive Enable Register — Index F3h

Bit	Name	R/W	Default	Description
7	Reserved	-	-	Reserved.
5	GPIO05_DRV_EN	R/W	0	0: GPIO05 is open drain in output mode. 1: GPIO05 is push pull in output mode.
4	GPIO04_DRV_EN	R/W	0	0: GPIO04 is open drain in output mode. 1: GPIO04 is push pull in output mode.
3	GPIO03_DRV_EN	R/W	0	0: GPIO03 is open drain in output mode. 1: GPIO03 is push pull in output mode.
2	GPIO02_DRV_EN	R/W	0	0: GPIO02 is open drain in output mode. 1: GPIO02 is push pull in output mode.
1	GPIO01_DRV_EN	R/W	0	0: GPIO01 is open drain in output mode. 1: GPIO01 is push pull in output mode.
0	GPIO00_DRV_EN	R/W	0	0: GPIO00 is open drain in output mode. 1: GPIO00 is push pull in output mode.

6.8.9 GPIO1 Output Enable Register — Index E0h

Bit	Name	R/W	Default	Description
7	GPIO17_OE	R/W	0	0: GPIO17 is in input mode. 1: GPIO17 is in output mode.
6	GPIO16_OE	R/W	0	0: GPIO16 is in input mode. 1: GPIO16 is in output mode.
5	GPIO15_OE	R/W	0	0: GPIO15 is in input mode. 1: GPIO15 is in output mode.
4	GPIO14_OE	R/W	0	0: GPIO14 is in input mode. 1: GPIO14 is in output mode.
3	GPIO13_OE	R/W	0	0: GPIO13 is in input mode. 1: GPIO13 is in output mode.
2	GPIO12_OE	R/W	0	0: GPIO12 is in input mode. 1: GPIO12 is in output mode.
1	GPIO11_OE	R/W	0	0: GPIO11 is in input mode. 1: GPIO11 is in output mode.
0	GPIO10_OE	R/W	0	0: GPIO10 is in input mode. 1: GPIO10 is in output mode.


F71869
6.8.10 GPIO1 Output Data Register — Index E1h

Bit	Name	R/W	Default	Description
7	GPIO17_VAL	R/W	1	0: GPIO17 outputs 0 when in output mode. 1: GPIO17 outputs 1 when in output mode.
6	GPIO16_VAL	R/W	1	0: GPIO16 outputs 0 when in output mode. 1: GPIO16 outputs 1 when in output mode.
5	GPIO15_VAL	R/W	1	0: GPIO15 outputs 0 when in output mode. 1: GPIO15 outputs 1 when in output mode.
4	GPIO14_VAL	R/W	1	0: GPIO14 outputs 0 when in output mode. 1: GPIO14 outputs 1 when in output mode.
3	GPIO13_VAL	R/W	1	0: GPIO13 outputs 0 when in output mode. 1: GPIO13 outputs 1 when in output mode.
2	GPIO12_VAL	R/W	1	0: GPIO12 outputs 0 when in output mode. 1: GPIO12 outputs 1 when in output mode.
1	GPIO11_VAL	R/W	1	0: GPIO11 outputs 0 when in output mode. 1: GPIO11 outputs 1 when in output mode.
0	GPIO10_VAL	R/W	1	0: GPIO10 outputs 0 when in output mode. 1: GPIO10 outputs 1 when in output mode.

6.8.11 GPIO1 Pin Status Register — Index E2h

Bit	Name	R/W	Default	Description
7	GPIO17_IN	R	-	The pin status of CPU_PWRGD/GPIO17.
6	GPIO16_IN	R	-	The pin status of LED_VCC/GPIO16.
5	GPIO15_IN	R	-	The pin status of LED_VSB/ALERT#/GPIO15.
4	GPIO14_IN	R	-	The pin status of WDTRST#/GPIO14.
3	GPIO13_IN	R	-	The pin status of BEEP/GPIO13.
2	GPIO12_IN	R	-	The pin status of RSTCON#/GPIO12.
1	GPIO11_IN	R	-	The pin status of PCI_RST5#/GPIO11.
0	GPIO10_IN	R	-	The pin status of PCI_RST4#/GPIO10.

6.8.12 GPIO1 Drive Enable Register — Index E3h

Bit	Name	R/W	Default	Description
7	GPIO17_DRV_EN	R/W	0	0: GPIO17 is open drain in output mode. 1: GPIO17 is push pull in output mode.
6	GPIO16_DRV_EN	R/W	0	0: GPIO16 is open drain in output mode. 1: GPIO16 is push pull in output mode.
5	GPIO15_DRV_EN	R/W	0	0: GPIO15 is open drain in output mode. 1: GPIO15 is push pull in output mode.
4	GPIO14_DRV_EN	R/W	0	0: GPIO14 is open drain in output mode. 1: GPIO14 is push pull in output mode.
3	GPIO13_DRV_EN	R/W	0	0: GPIO13 is open drain in output mode. 1: GPIO13 is push pull in output mode.


F71869

2	GPIO12_DRV_EN	R/W	0	0: GPIO12 is open drain in output mode. 1: GPIO12 is push pull in output mode.
1	GPIO11_DRV_EN	R/W	0	0: GPIO11 is open drain in output mode. 1: GPIO11 is push pull in output mode.
0	GPIO10_DRV_EN	R/W	0	0: GPIO10 is open drain in output mode. 1: GPIO10 is push pull in output mode.

6.8.13 GPIO1 PME Enable Register — Index E4h

Bit	Name	R/W	Default	Description
7	GPIO17_PME_EN	R/W	0	When GPIO17_EVENT_STS is 1 and GPIO17_PME_EN is set to 1, a GPIO PME event will be generated.
6	GPIO16_PME_EN	R/W	0	When GPIO16_EVENT_STS is 1 and GPIO16_PME_EN is set to 1, a GPIO PME event will be generated.
5	GPIO15_PME_EN	R/W	0	When GPIO15_EVENT_STS is 1 and GPIO15_PME_EN is set to 1, a GPIO PME event will be generated.
4	GPIO14_PME_EN	R/W	0	When GPIO14_EVENT_STS is 1 and GPIO14_PME_EN is set to 1, a GPIO PME event will be generated.
3	GPIO13_PME_EN	R/W	0	When GPIO13_EVENT_STS is 1 and GPIO13_PME_EN is set to 1, a GPIO PME event will be generated.
2	GPIO12_PME_EN	R/W	0	When GPIO12_EVENT_STS is 1 and GPIO12_PME_EN is set to 1, a GPIO PME event will be generated.
1	GPIO11_PME_EN	R/W	0	When GPIO11_EVENT_STS is 1 and GPIO11_PME_EN is set to 1, a GPIO PME event will be generated.
0	GPIO10_PME_EN	R/W	0	When GPIO10_EVENT_STS is 1 and GPIO10_PME_EN is set to 1, a GPIO PME event will be generated.

6.8.14 GPIO1 Input Detection Select Register — Index E5h

Bit	Name	R/W	Default	Description
7	GPIO17_DET_SEL	R/W	0	When GPIO17 is in input mode, set this bit to select which input event should be detected. 0: rising edge 1: falling edge
6	GPIO16_DET_SEL	R/W	0	When GPIO16 is in input mode, set this bit to select which input event should be detected. 0: rising edge 1: falling edge
5	GPIO15_DET_SEL	R/W	0	When GPIO15 is in input mode, set this bit to select which input event should be detected. 0: rising edge 1: falling edge
4	GPIO14_DET_SEL	R/W	0	When GPIO14 is in input mode, set this bit to select which input event should be detected. 0: rising edge 1: falling edge


F71869

3	GPIO13_DET_SEL	R/W	0	When GPIO13 is in input mode, set this bit to select which input event should be detected. 0: rising edge 1: falling edge
2	GPIO12_DET_SEL	R/W	0	When GPIO12 is in input mode, set this bit to select which input event should be detected. 0: rising edge 1: falling edge
1	GPIO11_DET_SEL	R/W	0	When GPIO11 is in input mode, set this bit to select which input event should be detected. 0: rising edge 1: falling edge
0	GPIO10_DET_SEL	R/W	0	When GPIO10 is in input mode, set this bit to select which input event should be detected. 0: rising edge 1: falling edge

6.8.15 GPIO1 Event Status Register — Index E6h

Bit	Name	R/W	Default	Description
7	GPIO17_EVENT_STS	R/W	0	When GPIO17 is in input mode and a GPIO17 input is detected according to CRE5[7], this bit will be set to 1. Write a 1 to this bit will clear it to 0.
6	GPIO16_EVENT_STS	R/W	0	When GPIO16 is in input mode and a GPIO16 input is detected according to CRE5[6], this bit will be set to 1. Write a 1 to this bit will clear it to 0.
5	GPIO15_EVENT_STS	R/W	0	When GPIO15 is in input mode and a GPIO15 input is detected according to CRE5[5], this bit will be set to 1. Write a 1 to this bit will clear it to 0.
4	GPIO14_EVENT_STS	R/W	0	When GPIO14 is in input mode and a GPIO14 input is detected according to CRE5[4], this bit will be set to 1. Write a 1 to this bit will clear it to 0.
3	GPIO13_EVENT_STS	R/W	0	When GPIO13 is in input mode and a GPIO13 input is detected according to CRE5[3], this bit will be set to 1. Write a 1 to this bit will clear it to 0.
2	GPIO12_EVENT_STS	R/W	0	When GPIO12 is in input mode and a GPIO12 input is detected according to CRE5[2], this bit will be set to 1. Write a 1 to this bit will clear it to 0.
1	GPIO11_EVENT_STS	R/W	0	When GPIO11 is in input mode and a GPIO11 input is detected according to CRE5[1], this bit will be set to 1. Write a 1 to this bit will clear it to 0.
0	GPIO10_EVENT_STS	R/W	0	When GPIO10 is in input mode and a GPIO10 input is detected according to CRE5[0], this bit will be set to 1. Write a 1 to this bit will clear it to 0.

6.8.16 GPIO2 Output Enable Register — Index D0h

Bit	Name	R/W	Default	Description
-----	------	-----	---------	-------------


F71869

7	GPIO27_OE	R/W	0	0: GPIO27 is in input mode. 1: GPIO27 is in output mode.
6	GPIO26_OE	R/W	0	0: GPIO26 is in input mode. 1: GPIO25 is in output mode.
5	GPIO25_OE	R/W	0	0: GPIO25 is in input mode. 1: GPIO25 is in output mode.
4	GPIO24_OE	R/W	0	0: GPIO24 is in input mode. 1: GPIO24 is in output mode.
3	GPIO23_OE	R/W	0	0: GPIO23 is in input mode. 1: GPIO23 is in output mode.
2	GPIO22_OE	R/W	0	0: GPIO22 is in input mode. 1: GPIO22 is in output mode.
1	GPIO21_OE	R/W	0	0: GPIO21 is in input mode. 1: GPIO21 is in output mode.
0	GPIO20_OE	R/W	0	0: GPIO20 is in input mode. 1: GPIO20 is in output mode.

6.8.17 GPIO2 Output Data Register — Index D1h

Bit	Name	R/W	Default	Description
7	GPIO27_VAL	R/W	1	0: GPIO27 outputs 0 when in output mode. 1: GPIO27 outputs 1 when in output mode.
6	GPIO26_VAL	R/W	1	0: GPIO26 outputs 0 when in output mode. 1: GPIO26 outputs 1 when in output mode.
5	GPIO25_VAL	R/W	1	0: GPIO25 outputs 0 when in output mode. 1: GPIO25 outputs 1 when in output mode.
4	GPIO24_VAL	R/W	1	0: GPIO24 outputs 0 when in output mode. 1: GPIO24 outputs 1 when in output mode.
3	GPIO23_VAL	R/W	1	0: GPIO23 outputs 0 when in output mode. 1: GPIO23 outputs 1 when in output mode.
2	GPIO22_VAL	R/W	1	0: GPIO22 outputs 0 when in output mode. 1: GPIO22 outputs 1 when in output mode.
1	GPIO21_VAL	R/W	1	0: GPIO21 outputs 0 when in output mode. 1: GPIO21 outputs 1 when in output mode.
0	GPIO20_VAL	R/W	1	0: GPIO20 outputs 0 when in output mode. 1: GPIO20 outputs 1 when in output mode.

6.8.18 GPIO2 Pin Status Register — Index D2h

Bit	Name	R/W	Default	Description
7	GPIO27_IN	R	-	The pin status of SIN2/GPIO27.
6	GPIO26_IN	R	-	The pin status of SOUT2/GPIO26.
5	GPIO25_IN	R	-	The pin status of DSR2#/GPIO25.
4	GPIO24_IN	R	-	The pin status of RTS2#/GPIO24.
3	GPIO23_IN	R	-	The pin status of DTR2#/GPIO23.


F71869

2	GPIO22_IN	R	-	The pin status of CTS2#/GPIO22.
1	GPIO21_IN	R	-	The pin status of RI2#/GPIO21.
0	GPIO20_IN	R	-	The pin status of DCD2#/GPIO20.

6.8.19 GPIO2 Drive Enable Register — Index D3h

Bit	Name	R/W	Default	Description
7	GPIO27_DRV_EN	R/W	0	0: GPIO27 is open drain in output mode. 1: GPIO27 is push pull in output mode.
6	GPIO26_DRV_EN	R/W	0	0: GPIO26 is open drain in output mode. 1: GPIO26 is push pull in output mode.
5	GPIO25_DRV_EN	R/W	0	0: GPIO25 is open drain in output mode. 1: GPIO25 is push pull in output mode.
4	GPIO24_DRV_EN	R/W	0	0: GPIO24 is open drain in output mode. 1: GPIO24 is push pull in output mode.
3	GPIO23_DRV_EN	R/W	0	0: GPIO23 is open drain in output mode. 1: GPIO23 is push pull in output mode.
2	GPIO22_DRV_EN	R/W	0	0: GPIO22 is open drain in output mode. 1: GPIO22 is push pull in output mode.
1	GPIO21_DRV_EN	R/W	0	0: GPIO21 is open drain in output mode. 1: GPIO21 is push pull in output mode.
0	GPIO20_DRV_EN	R/W	0	0: GPIO20 is open drain in output mode. 1: GPIO20 is push pull in output mode.

6.8.20 GPIO3 Output Enable Register — Index C0h

Bit	Name	R/W	Default	Description
7	GPIO37_OE	R/W	0	0: GPIO37 is in input mode. 1: GPIO37 is in output mode. (Open-drain).
6	GPIO36_OE	R/W	0	0: GPIO36 is in input mode. 1: GPIO35 is in output mode. (Open-drain).
5	GPIO35_OE	R/W	0	0: GPIO35 is in input mode. 1: GPIO35 is in output mode. (Open-drain).
4	GPIO34_OE	R/W	0	0: GPIO34 is in input mode. 1: GPIO34 is in output mode. (Open-drain).
3	GPIO33_OE	R/W	0	0: GPIO33 is in input mode. 1: GPIO33 is in output mode. (Open-drain).
2	GPIO32_OE	R/W	0	0: GPIO32 is in input mode. 1: GPIO32 is in output mode. (Open-drain).
1	GPIO31_OE	R/W	0	0: GPIO31 is in input mode. 1: GPIO31 is in output mode. (Open-drain).
0	GPIO30_OE	R/W	0	0: GPIO30 is in input mode. 1: GPIO30 is in output mode. (Open-drain).


F71869
6.8.21 GPIO3 Output Data Register — Index C1h

Bit	Name	R/W	Default	Description
7	GPIO37_VAL	R/W	1	0: GPIO37 outputs 0 when in output mode. 1: GPIO37 outputs 1 when in output mode.
6	GPIO36_VAL	R/W	1	0: GPIO36 outputs 0 when in output mode. 1: GPIO36 outputs 1 when in output mode.
5	GPIO35_VAL	R/W	1	0: GPIO35 outputs 0 when in output mode. 1: GPIO35 outputs 1 when in output mode.
4	GPIO34_VAL	R/W	1	0: GPIO34 outputs 0 when in output mode. 1: GPIO34 outputs 1 when in output mode.
3	GPIO33_VAL	R/W	1	0: GPIO33 outputs 0 when in output mode. 1: GPIO33 outputs 1 when in output mode.
2	GPIO32_VAL	R/W	1	0: GPIO32 outputs 0 when in output mode. 1: GPIO32 outputs 1 when in output mode.
1	GPIO31_VAL	R/W	1	0: GPIO31 outputs 0 when in output mode. 1: GPIO31 outputs 1 when in output mode.
0	GPIO30_VAL	R/W	1	0: GPIO30 outputs 0 when in output mode. 1: GPIO30 outputs 1 when in output mode.

6.8.22 GPIO3 Pin Status Register — Index C2h

Bit	Name	R/W	Default	Description
7	GPIO37_IN	R	-	The pin status of WGATE#/GPIO37.
6	GPIO36_IN	R	-	The pin status of HDSEL#/GPIO36.
5	GPIO35_IN	R	-	The pin status of STEP#/GPIO35.
4	GPIO34_IN	R	-	The pin status of DIR#/GPIO34.
3	GPIO33_IN	R	-	The pin status of WDATA#/GPIO3.
2	GPIO32_IN	R	-	The pin status of DRVA#/GPIO32.
1	GPIO31_IN	R	-	The pin status of MOA#/GPIO31.
0	GPIO30_IN	R	-	The pin status of DENSEL#/GPIO30.

6.8.23 GPIO4 Output Enable Register — Index B0h

Bit	Name	R/W	Default	Description
7	GPIO47_OE	R/W	0	0: GPIO47 is in input mode. 1: GPIO47 is in output mode.
6	GPIO46_OE	R/W	0	0: GPIO46 is in input mode. 1: GPIO46 is in output mode.
5	GPIO45_OE	R/W	0	0: GPIO45 is in input mode. 1: GPIO45 is in output mode.
4	GPIO44_OE	R/W	0	0: GPIO44 is in input mode. 1: GPIO44 is in output mode.
3	GPIO43_OE	R/W	0	0: GPIO43 is in input mode. 1: GPIO43 is in output mode.


F71869

2	GPIO42_OE	R/W	0	0: GPIO42 is in input mode. 1: GPIO42 is in output mode.
1	GPIO41_OE	R/W	0	0: GPIO41 is in input mode. 1: GPIO41 is in output mode.
0	GPIO40_OE	R/W	0	0: GPIO40 is in input mode. 1: GPIO40 is in output mode.

6.8.24 GPIO4 Output Data Register — Index B1h

Bit	Name	R/W	Default	Description
7	GPIO47_VAL	R/W	1	0: GPIO47 outputs 0 when in output mode. 1: GPIO47 outputs 1 when in output mode.
6	GPIO46_VAL	R/W	1	0: GPIO46 outputs 0 when in output mode. 1: GPIO46 outputs 1 when in output mode.
5	GPIO45_VAL	R/W	1	0: GPIO45 outputs 0 when in output mode. 1: GPIO45 outputs 1 when in output mode.
4	GPIO44_VAL	R/W	1	0: GPIO44 outputs 0 when in output mode. 1: GPIO44 outputs 1 when in output mode.
3	GPIO43_VAL	R/W	1	0: GPIO43 outputs 0 when in output mode. 1: GPIO43 outputs 1 when in output mode.
2	GPIO42_VAL	R/W	1	0: GPIO42 outputs 0 when in output mode. 1: GPIO42 outputs 1 when in output mode.
1	GPIO41_VAL	R/W	1	0: GPIO41 outputs 0 when in output mode. 1: GPIO41 outputs 1 when in output mode.
0	GPIO40_VAL	R/W	1	0: GPIO40 outputs 0 when in output mode. 1: GPIO40 outputs 1 when in output mode.

6.8.25 GPIO4 Pin Status Register — Index B2h

Bit	Name	R/W	Default	Description
7	GPIO47_IN	R	-	The pin status of PS_ON#/GPIO47.
6	GPIO46_IN	R	-	The pin status of PWSOUT#/GPIO46
5	GPIO45_IN	R	-	The pin status of PWSIN#/GPIO45
4	GPIO44_IN	R	-	The pin status of ATXPG_IN/GPIO44
3	GPIO43_IN	R	-	The pin status of IRRX/GPIO43.
2	GPIO42_IN	R	-	The pin status of IRTX/GPIO42.
1	GPIO41_IN	R	-	The pin status of FANCTL3/GPIO41.
0	GPIO40_IN	R	-	The pin status of FANIN3/GPIO40.

6.8.26 GPIO4 Drive Enable Register — Index B3h

Bit	Name	R/W	Default	Description
7-4	Reserved	-	-	Reserved


F71869

3	GPIO43_DRV_EN	R/W	0	0: GPIO43 is open drain in output mode. 1: GPIO43 is push pull in output mode.
2	GPIO42_DRV_EN	R/W	0	0: GPIO42 is open drain in output mode. 1: GPIO42 is push pull in output mode.
1	GPIO41_DRV_EN	R/W	0	0: GPIO41 is open drain in output mode. 1: GPIO41 is push pull in output mode.
0	GPIO40_DRV_EN	R/W	0	0: GPIO40 is open drain in output mode. 1: GPIO40 is push pull in output mode.

6.8.27 GPIO4 PME Enable Register — Index B4h

Bit	Name	R/W	Default	Description
7-4	Reserved	-	-	Reserved
3	GPIO43_PME_EN	R/W	0	When GPIO43_EVENT_STS is 1 and GPIO43_PME_EN is set to 1, a GPIO PME event will be generated.
2	GPIO42_PME_EN	R/W	0	When GPIO42_EVENT_STS is 1 and GPIO42_PME_EN is set to 1, a GPIO PME event will be generated.
1	GPIO41_PME_EN	R/W	0	When GPIO41_EVENT_STS is 1 and GPIO41_PME_EN is set to 1, a GPIO PME event will be generated.
0	GPIO40_PME_EN	R/W	0	When GPIO40_EVENT_STS is 1 and GPIO40_PME_EN is set to 1, a GPIO PME event will be generated.

6.8.28 GPIO4 Input Detection Select Register — Index B5h

Bit	Name	R/W	Default	Description
7-4	Reserved	-	-	Reserved
3	GPIO43_DET_SEL	R/W	0	When GPIO43 is in input mode, set this bit to select which input event should be detected. 0: rising edge 1: falling edge
2	GPIO42_DET_SEL	R/W	0	When GPIO42 is in input mode, set this bit to select which input event should be detected. 0: rising edge 1: falling edge
1	GPIO41_DET_SEL	R/W	0	When GPIO41 is in input mode, set this bit to select which input event should be detected. 0: rising edge 1: falling edge
0	GPIO40_DET_SEL	R/W	0	When GPIO40 is in input mode, set this bit to select which input event should be detected. 0: rising edge 1: falling edge

6.8.29 GPIO4 Event Status Register — Index B6h

Bit	Name	R/W	Default	Description
-----	------	-----	---------	-------------


F71869

7-4	Reserved	-	-	Reserved
3	GPIO43_EVENT_STS	R/W	-	When GPIO43 is in input mode and a GPIO43 input is detected according to CRB5[3], this bit will be set to 1. Write a 1 to this bit will clear it to 0.
2	GPIO42_EVENT_STS	R/W	-	When GPIO42 is in input mode and a GPIO42 input is detected according to CRB5[2], this bit will be set to 1. Write a 1 to this bit will clear it to 0.
1	GPIO41_EVENT_STS	R/W	-	When GPIO41 is in input mode and a GPIO41 input is detected according to CRB5[1], this bit will be set to 1. Write a 1 to this bit will clear it to 0.
0	GPIO40_EVENT_STS	R/W	-	When GPIO40 is in input mode and a GPIO40 input is detected according to CRB5[0], this bit will be set to 1. Write a 1 to this bit will clear it to 0.

6.8.30 GPIO5 Output Enable Register — Index A0h

Bit	Name	R/W	Default	Description
7-5	Reserved	-	-	Reserved.
4	GPIO54_OE	R/W	0	0: GPIO54 is in input mode. 1: GPIO54 is in output mode.
3	GPIO53_OE	R/W	0	0: GPIO53 is in input mode. 1: GPIO53 is in output mode.
2	GPIO52_OE	R/W	0	0: GPIO52 is in input mode. 1: GPIO52 is in output mode.
1	GPIO51_OE	R/W	0	0: GPIO51 is in input mode. 1: GPIO51 is in output mode.
0	GPIO50_OE	R/W	0	0: GPIO50 is in input mode. 1: GPIO50 is in output mode.

6.8.31 GPIO5 Output Data Register — Index A1h

Bit	Name	R/W	Default	Description
7-5	Reserved	-	-	Reserved.
4	GPIO54_VAL	R/W	1	0: GPIO54 outputs 0 when in output mode. 1: GPIO54 outputs 1 when in output mode.
3	GPIO53_VAL	R/W	1	0: GPIO53 outputs 0 when in output mode. 1: GPIO53 outputs 1 when in output mode.
2	GPIO52_VAL	R/W	1	0: GPIO52 outputs 0 when in output mode. 1: GPIO52 outputs 1 when in output mode.
1	GPIO51_VAL	R/W	1	0: GPIO51 outputs 0 when in output mode. 1: GPIO51 outputs 1 when in output mode.
0	GPIO50_VAL	R/W	1	0: GPIO50 outputs 0 when in output mode. 1: GPIO50 outputs 1 when in output mode.


F71869
6.8.32 GPIO5 Pin Status Register — Index A2h

Bit	Name	R/W	Default	Description
7-5	Reserved	-	-	Reserved.
4	GPIO54_IN	R	-	The pin status of DSKCHG#/GPIO54.
3	GPIO53_IN	R	-	The pin status of WPT#/GPIO53.
2	GPIO52_IN	R	-	The pin status of INDEX#/GPIO52.
1	GPIO51_IN	R	-	The pin status of TRK0#/GPIO51.
0	GPIO50_IN	R	-	The pin status of RDDATA#/GPIO50.

6.8.33 GPIO5 Drive Enable Register — Index A3h

Bit	Name	R/W	Default	Description
7-5	Reserved	-	-	Reserved.
4	GPIO54_DRV_EN	R/W	0	0: GPIO54 is open drain in output mode. 1: GPIO54 is push pull in output mode.
3	GPIO53_DRV_EN	R/W	0	0: GPIO53 is open drain in output mode. 1: GPIO53 is push pull in output mode.
2	GPIO52_DRV_EN	R/W	0	0: GPIO52 is open drain in output mode. 1: GPIO52 is push pull in output mode.
1	GPIO51_DRV_EN	R/W	0	0: GPIO51 is open drain in output mode. 1: GPIO51 is push pull in output mode.
0	GPIO50_DRV_EN	R/W	0	0: GPIO50 is open drain in output mode. 1: GPIO50 is push pull in output mode.

6.8.34 GPIO6 Output Enable Register — Index 90h

Bit	Name	R/W	Default	Description
7-6	Reserved	-	-	Reserved.
5	GPIO65_OE	R/W	0	0: GPIO65 is in input mode. 1: GPIO65 is in output mode.
4	GPIO64_OE	R/W	0	0: GPIO64 is in input mode. 1: GPIO64 is in output mode.
3	GPIO63_OE	R/W	0	0: GPIO63 is in input mode. 1: GPIO63 is in output mode.
2	GPIO62_OE	R/W	0	0: GPIO62 is in input mode. 1: GPIO62 is in output mode.
1	GPIO61_OE	R/W	0	0: GPIO61 is in input mode. 1: GPIO61 is in output mode.
0	GPIO60_OE	R/W	0	0: GPIO60 is in input mode. 1: GPIO60 is in output mode.

6.8.35 GPIO6 Output Data Register — Index 91h

Bit	Name	R/W	Default	Description
-----	------	-----	---------	-------------


F71869

7-6	Reserved	-	-	Reserved.
5	GPIO65_VAL	R/W	1	0: GPIO65 outputs 0 when in output mode. 1: GPIO65 outputs 1 when in output mode.
4	GPIO64_VAL	R/W	1	0: GPIO64 outputs 0 when in output mode. 1: GPIO64 outputs 1 when in output mode.
3	GPIO63_VAL	R/W	1	0: GPIO63 outputs 0 when in output mode. 1: GPIO63 outputs 1 when in output mode.
2	GPIO62_VAL	R/W	1	0: GPIO62 outputs 0 when in output mode. 1: GPIO62 outputs 1 when in output mode.
1	GPIO61_VAL	R/W	1	0: GPIO61 outputs 0 when in output mode. 1: GPIO61 outputs 1 when in output mode.
0	GPIO60_VAL	R/W	1	0: GPIO60 outputs 0 when in output mode. 1: GPIO60 outputs 1 when in output mode.

6.8.36 GPIO6 Pin Status Register — Index 92h

Bit	Name	R/W	Default	Description
7-6	Reserved	-	-	Reserved.
5	GPIO65_IN	R	-	The pin status of BIT_SEL_OUT3/GPIO65.
4	GPIO64_IN	R	-	The pin status of BIT_SEL_OUT2/GPIO64.
3	GPIO63_IN	R	-	The pin status of BIT_SEL_OUT1/GPIO63.
2	GPIO62_IN	R	-	The pin status of BIT_SEL_IN3/GPIO62.
1	GPIO61_IN	R	-	The pin status of BIT_SEL_IN2/GPIO61.
0	GPIO60_IN	R	-	The pin status of BIT_SEL_IN1/GPIO60.

6.8.37 GPIO6 Drive Enable Register — Index 93h

Bit	Name	R/W	Default	Description
7-6	Reserved	-	-	Reserved.
5	GPIO65_DRV_EN	R/W	0	0: GPIO65 is open drain in output mode. 1: GPIO65 is push pull in output mode.
4	GPIO64_DRV_EN	R/W	0	0: GPIO64 is open drain in output mode. 1: GPIO64 is push pull in output mode.
3	GPIO63_DRV_EN	R/W	0	0: GPIO63 is open drain in output mode. 1: GPIO63 is push pull in output mode.
2	GPIO62_DRV_EN	R/W	0	0: GPIO62 is open drain in output mode. 1: GPIO62 is push pull in output mode.
1	GPIO61_DRV_EN	R/W	0	0: GPIO61 is open drain in output mode. 1: GPIO61 is push pull in output mode.
0	GPIO60_DRV_EN	R/W	0	0: GPIO60 is open drain in output mode. 1: GPIO60 is push pull in output mode.


F71869
6.9 BIT SELECT Registers (CR07)
6.9.1 VID Device Enable Register — Index 30h

Bit	Name	R/W	Default	Description
7-1	Reserved	-	0	Reserved
0	BSEL_EN	R/W	0	0: disable BSEL I/O port. 1: enable BSEL I/O port.

6.9.2 Base Address High Register — Index 60h

Bit	Name	R/W	Default	Description
7-0	BASE_ADDR_HI	R/W	00h	The MSB of VID base address.

6.9.3 Base Address Low Register — Index 61h

Bit	Name	R/W	Default	Description
7-0	BASE_ADDR_LO	R/W	00h	The LSB of VID base address.

6.9.4 Configuration Register — Index F0h (Offset 00h)

(* Cleared by Slotocc# and watch dog timeout)

Bit	Name	R/W	Default	Description
7	WDOUT_EN	R/W	-	This bit is decided by RTS1# power-on trapping. If this bit is set to 1 and watchdog timeout event occurs, WDRST# output is enabled.
6-1	Reserved	-	-	Reserved
0	WD_RST_EN	R/W	1	0: Disable WDT to reset the VID register marked with *. 1: Enable WDT to reset the VID register marked with *.

6.9.5 BUS Manual Register — Index F2h (Offset 02h)

Bit	Name	R/W	Default	Description
7*	BSEL_MANUAL_MODE	R/W	1	0: BUSIN2-0 is bypassed to BUSOUT2-0. 1: BUSOUT2-0 is controlled by BSEL_MANUAL. This bit is reset by SLOTOCC# falling edge or WDT(with WD_RT_EN set).
6	KEY_OK	R	1	This bit is 1 represents that the serial key is entered correctly.
5-3	Reserved	R/W	-	Reserved
2-0	BSEL_MANUAL	R/W	2h	The output value for BUSOUT2-0 if BSEL_MANUAL_MODE is set.

6.9.6 Serial Key Data Register — Index F3h (Offset 03h)

Bit	Name	R/W	Default	Description
-----	------	-----	---------	-------------

7-0	KEY_DATA	R/W	F3h	Write serial data to this register correctly, the KEY_OK bit will be set to 1. Hence, users are able to write key protected registers. The sequence to enable KEY_OK is 0x32, 0x5D, 0x42, 0xAC. When KEY_OK is set, write this register 0x35 will clear KEY_OK.
-----	----------	-----	-----	---

6.9.7 BUSIN Status Register — Index F4h (Offset 04h)

Bit	Name	R/W	Default	Description
7-3	Reserved	R	0	Reserved
2:0	BSELIN_ST	R	-	This is the pin status of BSEL_IN[2:0].

6.9.8 Watchdog Timer Configuration Register 1— Index F5h (Offset 05h)

Bit	Name	R/W	Default	Description
7	WDT_CLK_SEL	R	0	Select the WDT clock source. 0: The clock source is from CLKIN. (powered by VDD and is accurate) 1: The clock source is from internal 500KHz (powered by VSB3V and 20% tolerance).
6	WDTMOUT_STS	R/W	0	If watchdog timeout event occurs, this bit will be set to 1. Write a 1 to this bit will clear it to 0.
5	WD_EN	R/W	-	This bit is decided by RTS1# power-on trapping. If this bit is set to 1, the counting of watchdog time is enabled.
4	WD_PULSE	R/W	0	Select output mode (0: level, 1: pulse) of RSTOUT# by setting this bit.
3	WD_UNIT	R/W	0	Select time unit (0: 1sec, 1: 60 sec) of watchdog timer by setting this bit.
2	WD_HACTIVE	R/W	0	Select output polarity of RSTOUT# (1: high active, 0: low active) by setting this bit.
1:0	WD_PSWIDTH	R/W	0	Select output pulse width of RSTOUT# 0: 1 ms 1: 25 ms 2: 125 ms 3: 5 sec

6.9.9 Watchdog Timer Configuration Register 2 — Index F6h (Offset 06h)

Bit	Name	R/W	Default	Description
7:0	WD_TIME	R/W	0A	Time of watchdog timer

6.9.10 WDT PME Register — Index F7h (Offset 07h)

Bit	Name	R/W	Default	Description
-----	------	-----	---------	-------------

7	WDT_PME	R	0	WDT PME real time status.
6	WDT_PME_EN	R/W	0	0: Disable WDT PME. 1: Enable WDT PME.
6	WDT_PME_ST	R/W	0	0: No WDT PME occurred. 1: WDT PME occurred. The WDT PME is occurred one unit before WDT timeout.
4-1	Reserved	R	0	Reserved
0	CPU_CHANGE	R/W C	-	This bit will be set at SLOTOCC# rising edge. Internal 1us de-bounce circuit is implemented. Write "1" to this bit will clear the status.(This bit is powered by VBAT.)

6.10 PME and ACPI Registers (CR0A)

6.10.1 Device Enable Register — Index 30h

Bit	Name	R/W	Default	Description
7-1	Reserved	-	-	Reserved
0	PME_EN	R/W	0	0: disable PME. 1: enable PME.

6.10.2 PME Event Enable Register 1— Index F0h

Bit	Name	R/W	Default	Description
7	WDT_PME_EN	R/W	0	WDT PME event enable. 0: disable WDT PME event. 1: enable WDT PME event.
6	MO_PME_EN	R/W	0	Mouse PME event enable. 0: disable mouse PME event. 1: enable mouse PME event.
5	KB_PME_EN	R/W	0	Keyboard PME event enable. 0: disable keyboard PME event. 1: enable keyboard PME event.
4	HM_PME_EN	R/W	0	Hardware monitor PME event enable. 0: disable hardware monitor PME event. 1: enable hardware monitor PME event.
3	PRT_PME_EN	R/W	0	Parallel port PME event enable. 0: disable parallel port PME event. 1: enable parallel port PME event.
2	UR2_PME_EN	R/W	0	UART 2 PME event enable. 0: disable UART 2 PME event. 1: enable UART 2 PME event.


F71869

1	UR1_PME_EN	R/W	0	UART 1 PME event enable. 0: disable UART 1 PME event. 1: enable UART 1 PME event.
0	FDC_PME_EN	R/W	0	FDC PME event enable. 0: disable FDC PME event. 1: enable FDC PME event.

6.10.3 PME Event Status Register — Index F1h

Bit	Name	R/W	Default	Description
7	WDT_PME_ST	R/W	-	WDT PME event status. 0: WDT has no PME event. 1: WDT has a PME event to assert. Write 1 to clear to be ready for next PME event.
6	MO_PME_ST	R/W	-	Mouse PME event status. 0: Mouse has no PME event. 1: Mouse has a PME event to assert. Write 1 to clear to be ready for next PME event.
5	KB_PME_ST	R/W	-	Keyboard PME event status. 0: Keyboard has no PME event. 1: Keyboard has a PME event to assert. Write 1 to clear to be ready for next PME event.
4	HM_PME_ST	R/W	-	Hardware monitor PME event status. 0: Hardware monitor has no PME event. 1: Hardware monitor has a PME event to assert. Write 1 to clear to be ready for next PME event.
3	PRT_PME_ST	R/W	-	Parallel port PME event status. 0: Parallel port has no PME event. 1: Parallel port has a PME event to assert. Write 1 to clear to be ready for next PME event.
2	UR2_PME_ST	R/W	-	UART 2 PME event status. 0: UART 2 has no PME event. 1: UART 2 has a PME event to assert. Write 1 to clear to be ready for next PME event.
1	UR1_PME_ST	R/W	-	UART 1 PME event status. 0: UART 1 has no PME event. 1: UART 1 has a PME event to assert. Write 1 to clear to be ready for next PME event.
0	FDC_PME_ST	R/W	-	FDC PME event status. 0: FDC has no PME event. 1: FDC has a PME event to assert. Write 1 to clear to be ready for next PME event.

6.10.4 PME Event Enable Register 2 — Index F2h

Bit	Name	R/W	Default	Description
7-3	Reserved	-	-	Reserved


F71869

2	RI2_PME_EN	R/W	0	RI2# PME event enable. 0: disable RI2# PME event. 1: enable RI2# PME event.
1	RI1_PME_EN	R/W	0	RI1# PME event enable. 0: disable RI1# PME event. 1: enable RI1# PME event.
0	GP_PME_EN	R/W	0	GPIO PME event enable. 0: disable GPIO PME event. 1: enable GPIO PME event.

6.10.5 PME Event Status Register — Index F3h

Bit	Name	R/W	Default	Description
7-3	Reserved	-	-	Reserved
2	RI2_PME_ST	R/W	-	RI2# PME event status. 0: RI2# has no PME event. 1: RI2# has a PME event to assert. Write 1 to clear to be ready for next PME event.
1	RI1_PME_ST	R/W	-	RI1# PME event status. 0: RI1# has no PME event. 1: RI1# has a PME event to assert. Write 1 to clear to be ready for next PME event.
0	WDT_PME_ST	R/W	-	WDT PME event status. 0: WDT has no PME event. 1: WDT has a PME event to assert. Write 1 to clear to be ready for next PME event.

6.10.6 Keep Last State Select Register — Index F4h

Bit	Name	R/W	Default	Description
7	Reserved	-	0	Reserved
6-5	Reserved	-	0	Reserved
4	EN_KBWAKEUP	R/W	0	Set one to enable keyboard wakeup event asserted via PWSOUT#.
3	EN_MOWAKEUP	R/W	0	Set one to enable mouse wakeup event asserted via PWSOUT#.
2-1	PWRCTRL	R/W	11	The ACPI Control the PSON_N to always on or always off or keep last state 00 : Keep last state 10 : Always on 01 : Bypass mode. 11: Always off
0	VSB_PWR_LOSS	R/W	0	When VSB 3V comes, it will set to 1, and write 1 to clear it

6.10.7 VDDOK Delay Register — Index F5h

Bit	Name	R/W	Default	Description
-----	------	-----	---------	-------------


F71869

7-6	PWROK_DELAY	R/W	0	The additional PWROK delay. 00: no delay 01: 100ms. 10: 200ms 11: 400ms.
5	RSTCON_EN	R/W	0	0: RSTCON# will assert via PWROK. 1: RSTCON# will assert via PCIRST4# and PCIRST5#.
4-3	VDD_DELAY	R/W	11	The PWROK delay timing from VDD3VOK by followed setting 00 : 100ms 01 : 200ms 10 : 300ms 11 : 400ms
2	VINDB_EN	R/W	1	Enable the PCIRSTIN_N and ATXPWGD de-bounce.
1	PCIRST_DB_EN	R/W	0	Enable the LRESET_N de-bounce.
0	Reserved	R/W	0	Reserved

6.10.8 PCIRST Control Register — Index F6h

Bit	Name	R/W	Default	Description
7	S3_SEL	R/W	0	Select the KBC S3 state. 0: Enter S3 state when internal VDD3VOK signal de-asserted. 1: Enter S3 state when S3# is low or the TS3 register is set to 1.
6	PERSON_DEL_EN	R/W	0	0: PERSON# is the inverted of S3# signal. 1: PERSON# will sink low only if the time after the last turn-off elapse at least 4 seconds.
5	Reserved	-	-	Reserved
4	PCIRST5_GATE	R/W	1	Write "0" to this bit will force PCIRST5# to sink low.
3	PCIRST4_GATE	R/W	1	Write "0" to this bit will force PCIRST4# to sink low.
2	PCIRST3_GATE	R/W	1	Write "0" to this bit will force PCIRST3# to sink low.
1	PCIRST2_GATE	R/W	1	Write "0" to this bit will force PCIRST2# to sink low.
0	PCIRST1_GATE	R/W	1	Write "0" to this bit will force PCIRST1# to sink low.

6.10.9 Power Sequence Control Register — Index F7h

Bit	Name	R/W	Default	Description
7	VDIMM_S3_ON	R/W	1	0: TIMING_1 will low during S3 state. 1: TIMING_1 will be tri-state during S3 state.
6	VDDA_S3_ON	R/W	0	0: TIMING_2 will low during S3 state. 1: TIMING_2 will be tri-state during S3 state.
5	VCORE_S3_ON	R/W	0	0: TIMING_3 will low during S3 state. 1: TIMING_3 will be tri-state during S3 state.
4	VLDT_S3_ON	R/W	0	0: TIMING_4 will low during S3 state. 1: TIMING_4 will be tri-state during S3 state.
3	WDT_PWROK_EN	R/W	0	Set "1" to enable WDTRST# assert from PWROK pin.
2	ATXPG_SW_TRI	R/W	1	0: ATXPGSW# will sink low in S5 state. 1: ATXPGSW# will be tri-state in S5 state.


F71869

1	PWR_ST2_TRI	R/W	1	0: ST2 will sink low in S5 state. 1: ST2 will be tri-state in S5 state.
0	Reserved	R/W	0	Reserved

6.10.10 LED VCC Mode Select Register — Index F8h

Bit	Name	R/W	Default	Description
7-6	Reserved	-	-	Reserved
5-4	LED_VCC_S5_MODE	R/W	0	Select LED_VCC mode in S5 state. 00: Sink low. 01: Tri-state. 10: 0.5Hz clock. 11: 1Hz clock.
3-2	LED_VCC_S3_MODE	R/W	0	Select LED_VCC mode in S3 state. 00: Sink low. 01: Tri-state. 10: 0.5Hz clock. 11: 1Hz clock.
1-0	LED_VCC_S0_MODE	R/W	0	Select LED_VCC mode in S0 state. 00: Sink low. 01: Tri-state. 10: 0.5Hz clock. 11: 1Hz clock.

6.10.11 LED VSB Mode Select Register — Index F9h

Bit	Name	R/W	Default	Description
7-6	Reserved	-	-	Reserved
5-4	LED_VSB_S5_MODE	R/W	0	Select LED_VSB mode in S5 state. 00: Sink low. 01: Tri-state. 10: 0.5Hz clock. 11: 1Hz clock.
3-2	LED_VSB_S3_MODE	R/W	0	Select LED_VSB mode in S3 state. 00: Sink low. 01: Tri-state. 10: 0.5Hz clock. 11: 1Hz clock.
1-0	LED_VSB_S0_MODE	R/W	0	Select LED_VSB mode in S0 state. 00: Sink low. 01: Tri-state. 10: 0.5Hz clock. 11: 1Hz clock.

6.10.12 RI De-bounce Select Register — Index FEh

Bit	Name	R/W	Default	Description
-----	------	-----	---------	-------------


F71869

7-2	Reserved	-	-	Reserved
1-0	RI_DB_SEL	R/W	0	Select RI de-bounce time. 00: reserved. 01: 200us. 10: 2ms. 11: 20ms.

Fintek
 Do Not Confidential

7. Electrical Characteristic

7.1 Absolute Maximum Ratings

PARAMETER	RATING	UNIT
Power Supply Voltage	-0.5 to 5.5	V
Input Voltage	-0.5 to VDD+0.5	V
Operating Temperature	0 to +70	° C
Storage Temperature	-55 to 150	° C

Note: Exposure to conditions beyond those listed under Absolute Maximum Ratings may adversely affect the life and reliability of the device

7.2 DC Characteristics

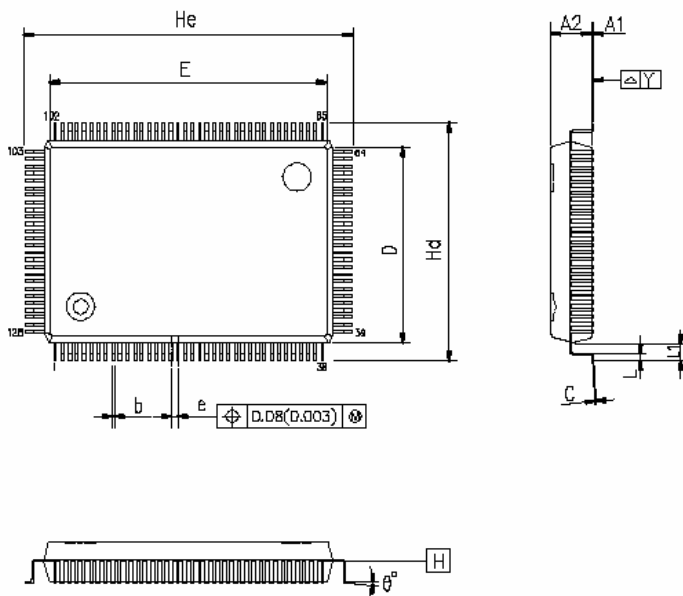
(Ta = 0° C to 70° C, VCC = 3.3V ± 10%, VSS = 0V)

PARAMETER	SYM.	MIN.	TYP.	MAX.	UNIT	CONDITIONS
Operating Voltage	VDD	3.0	3.3	3.6	V	
Battery Voltage	VBAT	2.4	3.3	3.6	V	
Operating Current	ICC		35		mA	VCC=3.3V VBAT=3.3V
Idle State Current	ISTY		5		uA	VCC=3.3V VBAT=3.3V
Battery Current	IBAT		4		uA	VCC=3.3V VBAT=3.3V
I/OD_{12st5v} - TTL level and schmitt trigger bi-directional pin with 12 mA source-sink capability 5V tolerance						
Input Low Voltage	VIL			0.8	V	
Input High Voltage	VIH	2.0			V	
Hysteresis			0.5		V	
Output Low Current	IOL		+12		mA	VOL = 0.4V
Input High Leakage	ILIH	-1		+1	μA	
Input Low Leakage	ILIL	-1		+1	μA	
I/O₁₂ – Output pin with 12mA source-sink capability ,5V tolerance						
Input Low Voltage	VIL			0.8	V	VDD = 3.3 V
Input High Voltage	VIH	2.0			V	VDD = 3.3 V
Hysteresis			0.5		V	
Output High Current	IOH		12		mA	VOH = 2.0 V
Input High Leakage	ILIH	-1		+1	μA	
Input Low Leakage	ILIL	-1		+1	μA	
IN_{ts_5v} – TTL level input pin and schmitt trigger, 5V tolerance						
Input Low Voltage	VIL			0.8	V	
Input High Voltage	VIH	2.0			V	
Hysteresis			0.5		V	
Input High Leakage	ILIH			+1	μA	
Input Low Leakage	ILIL	-1			μA	

8. Ordering Information

Part Number	Package Type	Production Flow
F71869F	128-PQFP (Green Package)	Commercial, 0°C to +70°C

9. Package Dimensions (128-PQFP)



SYMBOLS	MIN.	NOM.	MAX.
A1	0.25	0.35	0.45
A2	2.57	2.72	2.87
b	0.10	0.20	0.30
C	0.10	0.15	0.20
D	13.90	14.00	14.10
E	19.90	20.00	20.10
e	—	0.50	—
Hd	17.00	17.20	17.40
He	23.00	23.20	23.40
L	0.65	0.80	0.95
L1	—	1.60	—
Y	—	—	0.08
θ°	0	—	12

UNIT : mm

NOTES:

1. JEDEC OUTLINE: N/A
2. DATUM PLANE [H] IS LOCATED AT THE BOTTOM OF THE MOLD PARTING LINE COINCIDENT WITH WHERE THE LEAD EXITS THE BODY.
3. DIMENSIONS E AND D DO NOT INCLUDE MOLD PROTRUSION. ALLOWABLE PROTRUSION IS 0.25 mm PER SIDE. DIMENSIONS E AND E DO INCLUDE MOLD MISMATCH AND ARE DETERMINED AT DATUM PLANE [H].
4. DIMENSION b DOES NOT INCLUDE DAMBAR PROTRUSION.

Figure 20 128 Pin PQFP Package Diagram

Headquarters

 3F-7, No 36, Tai Yuan St.,
 Chupei City, Hsinchu, Taiwan 302, R.O.C.

TEL : 886-3-5600168

FAX : 886-3-5600166

 www: <http://www.fintek.com.tw>
Taipei Office

 Bldg. K4, 7F, No.700, Chung Cheng Rd.,
 Chunggho City, Taipei, Taiwan 235, R.O.C.

TEL : 866-2-8227-8027

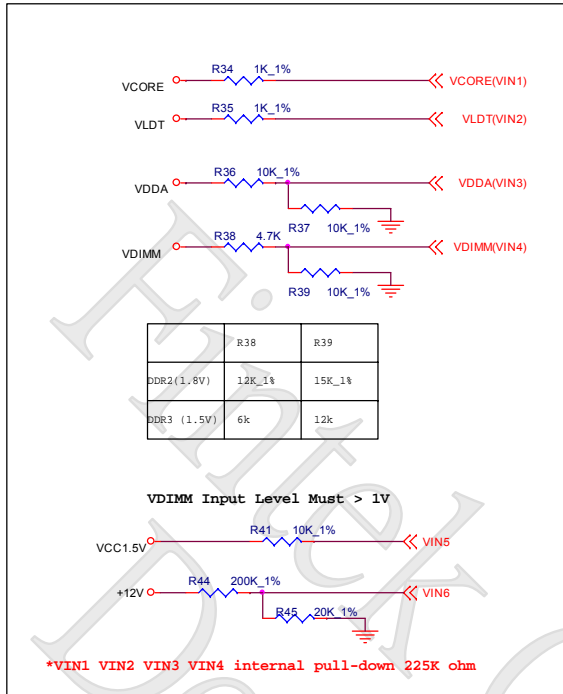
FAX : 866-2-8227-8037



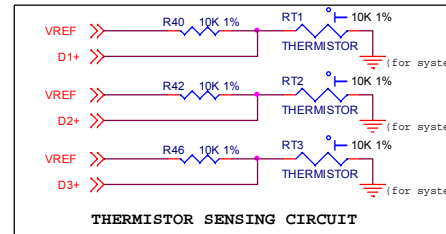
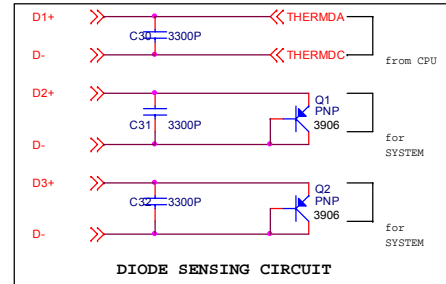
Fintek
Do Not Copy!
Confidential

Please note that all datasheet and specifications are subject to change without notice. All the trade marks of products and companies mentioned in this datasheet belong to their respective owner

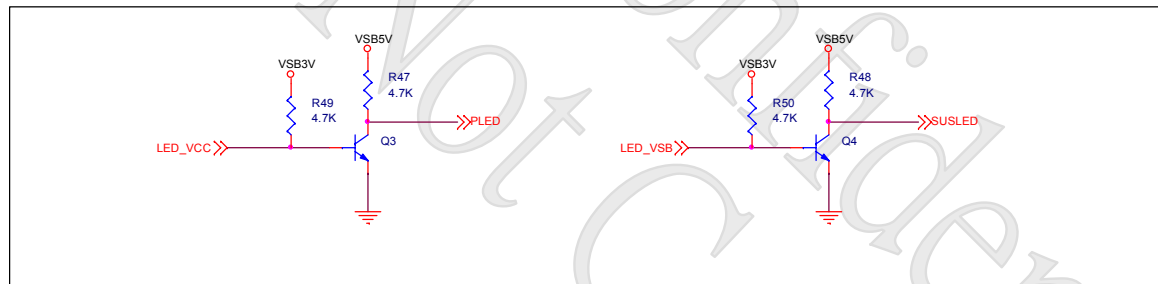
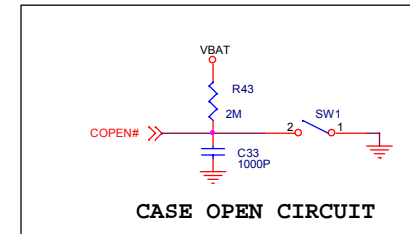
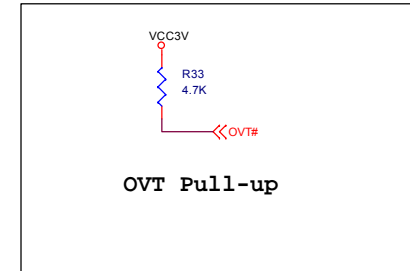
F71869



VOLTAGE SENSING.

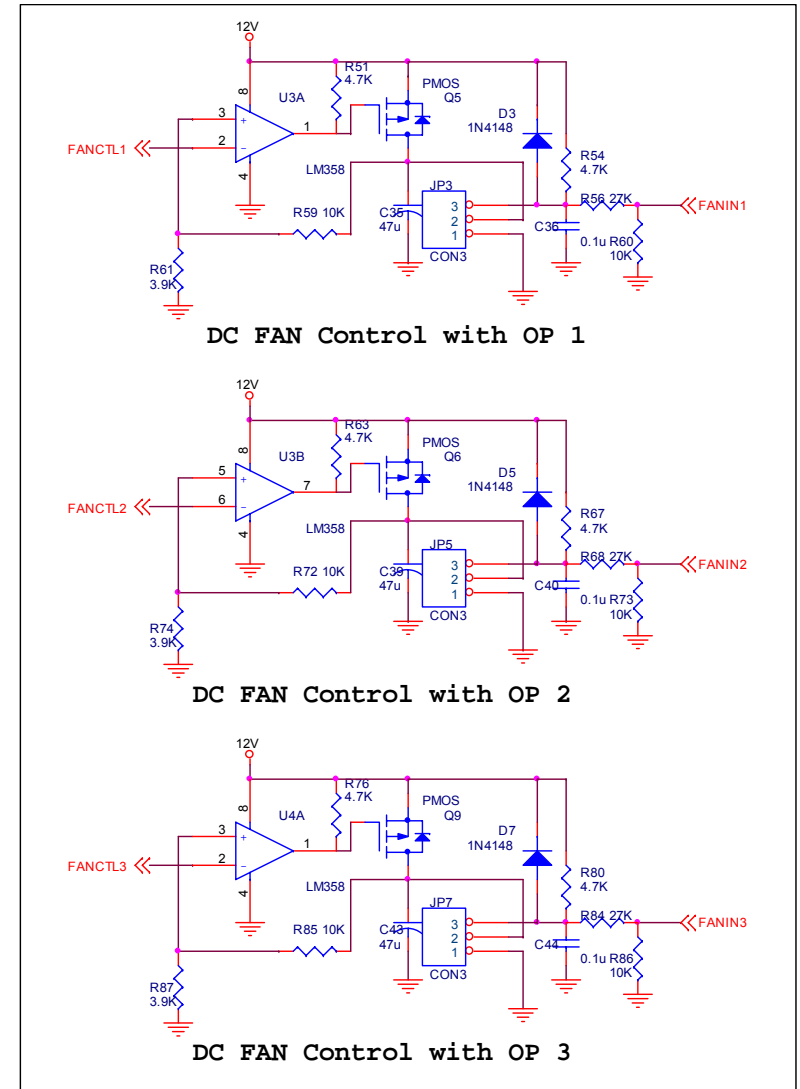
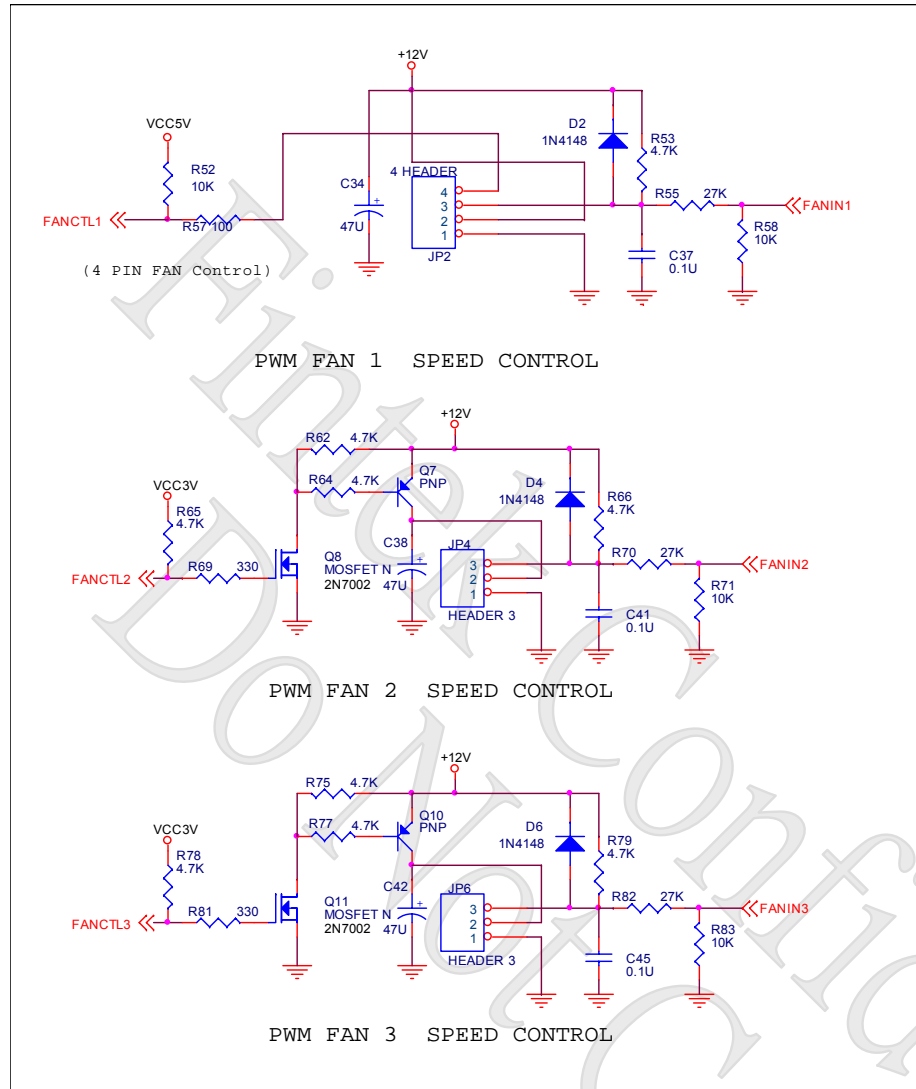


Temperature Sensing

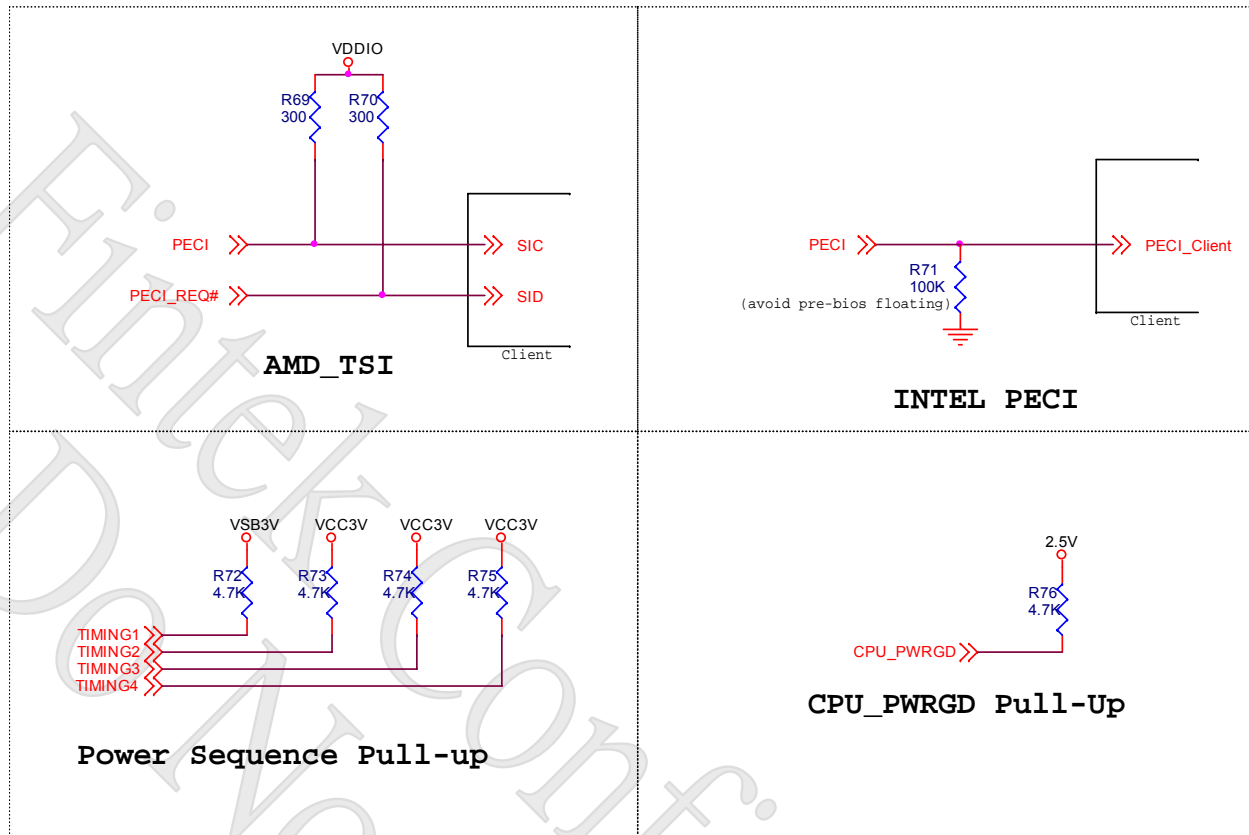


Title		
Feature Integration Technology Inc		
Size	Document Number	Rev
B	Hardware Monitor	0.13
Date:	Tuesday, May 05, 2009	Sheet 3 of 6

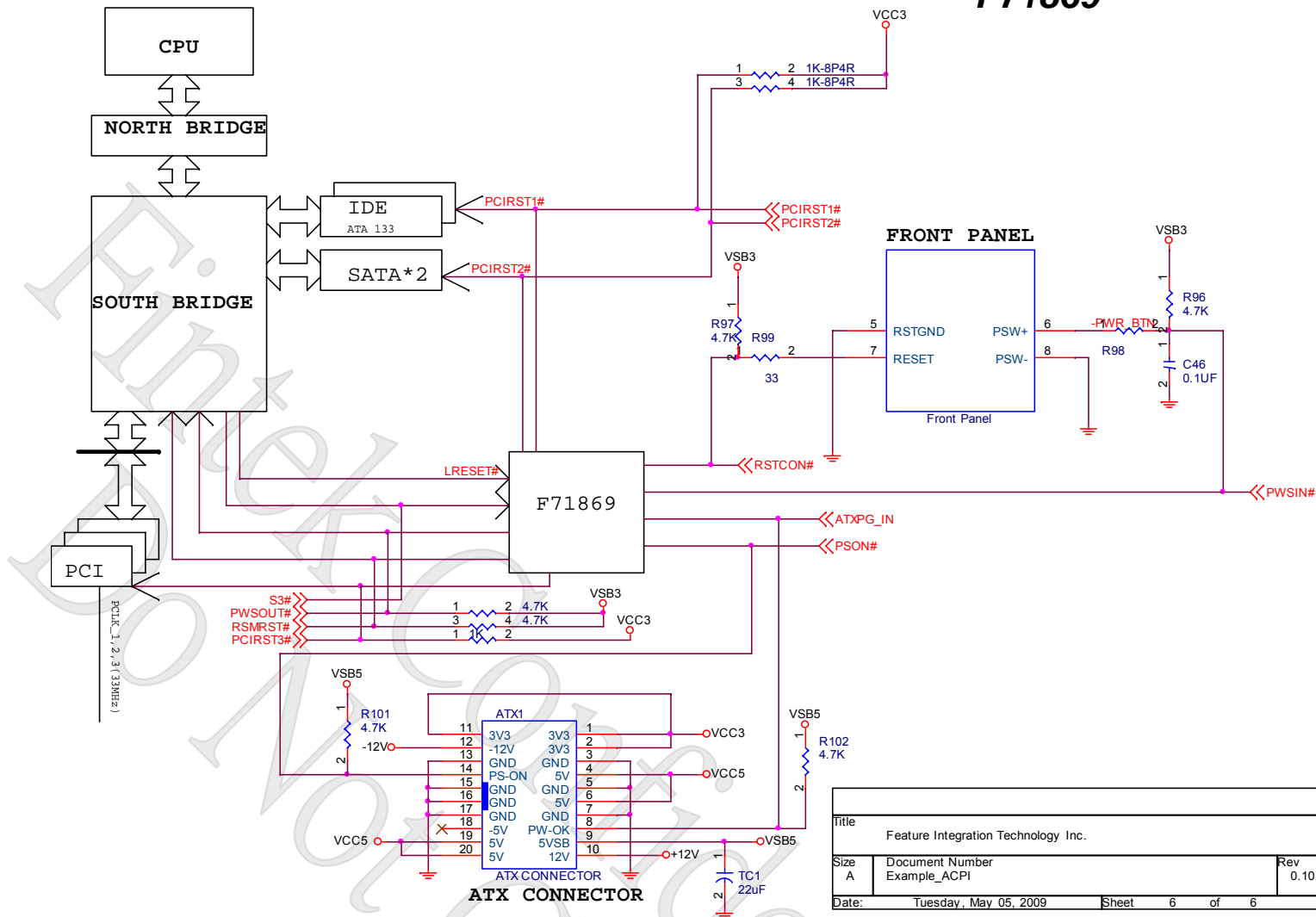
F71869



FAN CONTROL FOR PWM OR DC

F71869


Title		
Feature Integration Technology Inc.		
Size	Document Number	Rev
A	AMDSI/PECCI	0.11
Date:	Wednesday, May 06, 2009	Sheet 4 of 5

F71869


Title		
Feature Integration Technology Inc.		
Size	Document Number	Rev
A	Example_ACPI	0.10
Date:	Tuesday, May 05, 2009	Sheet 6 of 6

Figure 21 F71869F Application Circuit