

General Description

The OPTi 82C929 is an integrated digital sound controller for PC sound applications. 82C929 is compatible with Sound Blaster™, Ad Lib™, MPU-401, and Microsoft Windows Sound System™.

The 82C929 16-bit Sound Controller provides all of the digital functions and interfaces for the Sound Blaster-compatible and Microsoft Windows Sound System-compatible card. The 82C929 is intended to provide an integrated audio solution for business audio, educational/entertainment sound and multimedia applications.

The 82C929 includes the functions of AT Bus interface, Sound Blaster™-compatible Digital Audio Processor, MIDI interface, Windows Sound System™ interface, FM synthesizer interface, Wave Table Synthesizer interface, Game Port timer, Codec/Mixer interface as well as interfaces to four different types of CD ROM's. All DMA and interrupt selections are software programmable. The 82C929 provides enough driving capabilities for AT-Bus interfaces and thus eliminates the need for external buffering. There is also a power-down mode for power-conscious system designs.

Features

- Integrated sound controller compatible with Sound Blaster, Ad Lib, and Microsoft Windows Sound System.
- 8 or 16-bit sound data:
 - Sound Blaster 8-bit Audio up to 44.1KHz stereo
 - Windows 8/16-bit audio up to 48KHz stereo
- Integrated MIDI UART with 8-byte FIFO for both in and out with MPU-401 interface.
- Direct OPL2/OPL3/OPL4 interface
- Built-In Game Port Timer
- CD ROM interface for
 - IDE
 - SONY
 - Mitsumi
 - Panasonic
- All interfaces are software programmable including
 - I/O Address,
 - IRQ, and
 - DRQ.
- 24mA drivers for direct AT Bus interface
- Powerdown mode
- Silence mode to turn off all audio functions

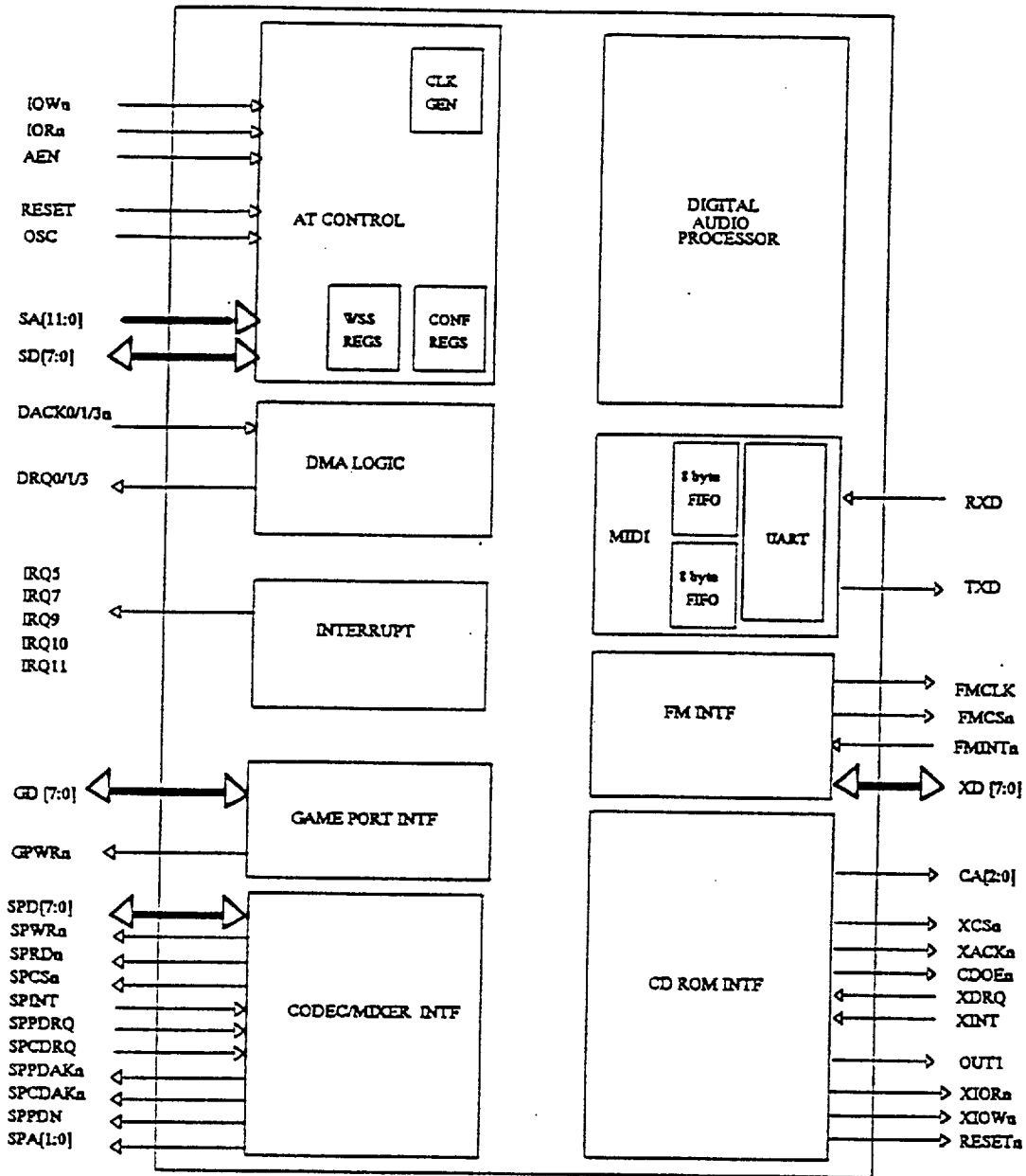
Applications

Together with the Yamaha OPL3 FM synthesis chip and a 16-bit Codec such as Crystal Semiconductor 4231 or Analog Devices 1346, 82C929 provides the integrated solution for the following applications:

- 16-bit sound quality Sound Blaster + Windows Sound System Compatible Card
- 20 Voice FM Synthesis
- 16-bit CD-quality WAVE audio up to 48KHz stereo
- four types of CD ROM interface
- Game Port
- MPU-401 and Sound Blaster MIDI interface
- OPL4 or other wave table synthesis upgrade

* All trademarks are those of their respective companies. This specification is subject to change without notice.

82C929 BLOCK DIAGRAM



PIN LIST

PIN NAME	PIN #	I/O	I/O Type	FUNCTION	To/From
AT BUS SIGNAL (36)					
IOW _n	20	I	TTL-Smt 50K pull-up	IO Write Command	AT BUS
IOR _n	21	I	TTL-Smt 50K pull-up	IO Read Command	AT BUS
AEN	22	I	TTL-Smt	DMA Address Enable	AT BUS
RESET	34	I	TTL-Smt 50K p-d	System Reset Input	AT BUS
OSC	94	I	TTL	AT 14.318 MHz clock	AT BUS
SA11	8	I	TTL	System Address	AT BUS
SA10	7				
SA9	6				
SA8	5				
SA7	4				
SA6	3				
SA5	100				
SA4	99				
SA3	98				
SA2	97				
SA1	96				
SA0	95				
SD7	33	B	TTL/ 24mA	System Data Bus	AT BUS
SD6	32				
SD5	31				
SD4	30				
SD3	27				
SD2	26				
SD1	25				
SD0	24				
DACK0 _n	15	I	TTL 50Kohm pull-up	DMA Acknowledge	AT BUS
DACK1 _n	17				
DACK3 _n	19				
DRQ0	14	T	18mA 50Kohm pull-down	8-bit DMA Request	AT BUS
DRQ1	16				
DRQ3	18				
IRQ5	11	Open- Drain B	18mA 5Kohm pull-up TTL	Interrupt Request IRQ7-11 bidirectional for WSS auto interrupt determination	AT BUS
IRQ7	12				
IRQ9	13				
IRQ10	10				
IRQ11	9				
MIDI INTERFACE SIGNAL (2)					
RXD	45	I	TTL-Smt	Receive Data	MIDI Port
TXD	46	O	18mA	Transmit Data	MIDI Port

<i>FM INTERFACE SIGNAL (11)</i>					
FMINT	74	I	TTL 5Kohm pull-up	FM Timer Interrupt, active low	FM
FMCLK/YA2	73	O	4mA	FM Clock output high during powerdown/ OPL4 Address[2]	FM
FMCSn	72	O	4mA	FM Chip Select, Asserted for IO address SBBase + 0-3 SBBase + 8-9 388-38B	FM
XD7	75	B	TTL /4mA 5Kohm pull-up	Local Data Bus	FM
XD6	76				
XD5	77				
XD4	78				
XD3	81				
XD2	82				
XD1	83				
XD0	84				
<i>CD ROM INTERFACE SIGNAL (13)</i>					
CA1	86	O	12mA	CD ROM Address 1	CD ROM
CA0	87	O	12mA	CD ROM Address 0	CD ROM
XCSn	88	O	12mA	CD ROM Chip Select	CD ROM
XACKn	89	B	TTL/12mA	CD ROM DMA Acknowledge	CD ROM
XDRQ	90	I	TTL 50Kohm pull-down	CD ROM DMA Request	CD ROM
XINT	91	I	TTL 50Kohm pull-up	CD ROM Interrupt Request	CD ROM
CA2	85	B	TTL 12mA	CD ROM Address 2	CD ROM
CMDn	92	O	12mA	Command Output	CD ROM
CDOEn	93	O	4mA	CD data buffer output enable	
CDHOEn	68	O	4mA	CD[15:8] data buffer output enable	
XIORn	69	O	12mA	Buffered IORn	CD ROM, FM
XIOWn	70	O	12mA	Buffered IOWn	CD ROM, FM
RESETn	71	O	12mA	Buffered RESET, active low	CD ROM, FM
<i>GAME INTERFACE SIGNAL (9)</i>					
GPWRn/ OUT0/ OPL3CSn	35	O	4mA TTL 50k pull-up	External GP Timer Mode: Game Port Write Enable Internal GP Timer Mode: OUTMX=0: OUT0 OUTMX=1: OPL3CSn	Game Port

GD7	36	I	TTL	Game Port Data	
GD6	37				
GD5	38				
GD4	39				
GD3	41				
GD2	42				
GD1	43				
GD0	44				
CODEC/MIXER SIGNAL (19)					
SPA1	55	B	TTL/4mA	Codec address	
SPA0	54		50k pu		
SPD7	63	B	TTL/4mA	Codec data	
SPD6	62		50K pu		
SPD5	61				
SPD4	60				
SPD3	59				
SPD2	58				
SPD1	57				
SPD0	56				
SPWR _n	64	O	4mA	Codec Write command	
SPRD _n	65	O	4mA	Codec Read command	
SPCS _n	66	O	4mA	Codec chip select	
SPINT	67	I	TTL	Codec interrupt request	
PDRQ	48	I	TTL	Playback DMA request	
CDRQ	50	I	TTL	Capture DMA request	
SPPDN	47	O	4mA	Codec Powerdown, active low	
PDAK _n	49	O	4mA	Playback DMA acknowledge	
CDAK _n	51	O	4mA	Capture DMA acknowledge	
POWER PINS					
Vcc	2, 29, 52, 79				
Gnd	1, 23, 28, 40, 53, 80				
TOTAL	100 (90 Signals, 4 Vcc, 6 Gnd)				

82C929 Register Map

<i>I/O Address</i>	<i>Description</i>	<i>R/W</i>
SBBase + 0 ALBase + 0	Left FM Status Port	R only
SBBase + 0 ALBase + 0	Left FM Register Address Port	W only
SBBase + 1 ALBase + 1	Left FM Data Port	W only
SBBase + 2 ALBase + 2	Right FM Register Address Port	W only
SBBase + 3 ALBase + 3	Right FM Data Port	W only
SBBase + 4	Mixer Address Port	W only
SBBase + 5	Mixer Data Port	R/W
SBBase + 6	Digital Audio Processor Software Reset	W only
SBBase + 8	FM Status Port	R only
SBBase + 8	FM Register Address Port	W only
SBBase + 9	FM Data Port	W only
SBBase + A	Digital Audio Processor Read Data	R only, Digital Audio ProcessorAO=0
SBBase + C	Digital Audio Processor Write Data/Cmd	W only, Digital Audio ProcessorAO=1
SBBase + C	Digital Audio Processor Write Buffer Status	R only, Digital Audio ProcessorAO=1
SBBase + E	Digital Audio Processor Output Buffer Status Reg	R only, Digital Audio ProcessorAO=1
WSBase + 0-3	Configuration	W only
WSBase + 0-3	Version	R only
WSBase + 4	Codec Index Reg	R/W, exists in Codec and shadowed in 82C929
WSBase + 5	Codec Indexed Data Reg	R/W, exists in Codec only
WSBase + 6	Codec Status Reg	R/W, exists in Codec only
WSBase + 7	Codec Direct Data	R/W, exists in Codec only
200-207	Game Port	R/W
CDBase + 0/3	CD ROM Interface Registers	R/W
MCBase+3 (SF8F)	Password Register	W only
MCBase+1 (SF8D)	MC1	R/W
MCBase+2 (SF8E)	MC2	R/W
MCBase+3 (SF8F)	MC3	R/W
MCBase+4 (SF90)	MC4	R/W
MCBase+5 (SF91)	MC5	R/W
MCBase+6 (SF92)	MC6	R/W

82C929 Register Definition

<i>MC1(MCBase + 1) R/W with password, MC1[3:0] jumper initialized</i>							
7	6	5	4	3	2	1	0
MOD	PDN	Sound BASE[1:0]		CDTYPE[2:0]			GPEN#
default=1	default=0	default=00		jumper pins=SPA1, SPA0, GPWRn no jumper=000			
Mode 0: SB 1: WSS	Powerdown 0: normal 1: powerdown	<i>WSS Base Address:</i> 00: WSBASE=530 01: WSBASE=E80 10: WSBASE=F40 11: WSBASE=604		000: CD is disabled 001: SONY 31A 010: Mitsumi 011: Panasonic 100: Secondary IDE 101: reserved 110: reserved 111: CHIP TEST MODE			Game Port Enable 0: enabled 1: disabled

Mode Control Register 1:

MOD: Operation Mode

- 0: Sound Blaster Compatible Mode, this is the default setting
- 1: Window Sound Compatible Mode

PDN: Powerdown Mode

When high, 82C929 enters powerdown mode. In this mode, all internal clocks are stopped and FMCLK is stopped in the high level.

Sound Base: I/O Base Address

In Window Sound System mode, MC[5:4] selects the I/O base address among the four specified addresses.

CD TYPE: Type of CD ROM Interface

Normal Setting: 00 Hex

MC2 (MCBase + 2) : R/W with password							
7	6	5	4	3	2	1	0
CDSEL[1:0]		OPL4	CDIRQ[2:0]			CDDRQ[1:0]	
CD Base Address Select		OPL4	CD IRQ Select			CD DRQ Select	
00: CDBase = 340 01: CDBase = 330 10: CDBase = 360 11: CDBase = 320		0: OPL3 1: OPL4	000: CD IRQ = disabled 001: CD IRQ = 5 010: CD IRQ = 7 011: CD IRQ = disabled 100: CD IRQ = 9 101: CD IRQ = 10 110: CD IRQ = 11 111: CD IRQ = disabled			00: CD DRQ = 3 01: CD DRQ = 0 10: CD DRQ = 1 11: CD DRQ is disabled	

The initial value is 03.

CDSEL: CD ROM Base Address

The Base I/O address for CD ROM interface.

OPL4: Yamaha OPL4 Synthesis Chip

When '0', the OPL3 FM synthesis chip is assumed. When '1', the OPL4 Wave Table synthesis chip is assumed. The default is OPL3.

CDIRQ: CD ROM Interrupt Select

This field selects the interrupt channel for CD ROM interface.

CDDRQ: CD ROM DMA Select

Normal Setting: 03 Hex

MC3 (MCBase + 3) R/W with password							
7	6	5	4	3	2	1	0
DAIRQ[1:0]		DADRQ[1:0]		FMAP	DABASE	REV[1:0] / GPMODE	
DA IRQ Select		DA DRQ Select		Frequency Map	DA Base Address	R: Chip ID Number "10"	
00: IRQ = 7 01: IRQ = 10 10: IRQ = 5 11: IRQ is disabled		00: DRQ = 1 01: DRQ = 0 10: DRQ = 3 11: DRQ is disabled		0: Normal 1: Single	0: 220 1: 240	W: Bit 1 is GPMODE Game Port Timer Mode 0: External 1: Internal	

After system reset, the default value of this register is 00. This register is not jumper-initializable.

DAIRQ: Digital Audio Interrupt Request Select for Sound Blaster Mode

DADRQ: Digital Audio DMA Channel Select for Sound Blaster Mode

FMAP: Frequency Mapping Select for Sound Blaster Mode. In Normal mode, frequency is mapped to the nearest frequency using both crystals of the CODEC. In Single mode, frequency is mapped only to the 16 MHz crystal of the CODEC.

Normal Setting: 02 Hex

<i>MC4 User Programmable General Purpose Register</i>							
7	6	5	4	3	2	1	0
reserved	GPOUT	reserved	OUTMX	FMCLK	SILENCE	SBVER	
Must be '1'	General Purpose Output	Must be '1'	see GPWRn	0: OPL3 1: OPL2	0: Audio Enabled 1: Audio Disabled	00: 2.1 01: 1.5 10: 3.2 11: 4.4	

GPOUT[1:0]: General Purpose Outputs.

SBVER: Sound Blaster version.

Default = 00

Normal Setting: A2 Hex

<i>MC5 Diagnostic Register</i>							
7	6	5	4	3	2	1	0
reserved	reserved	SHPASS	SPACCE S	CFIFO	reserved	CFIX	reserved
Must be '1'	Must be '0'	Shadow Protect 0: shadow regs are not protected 1: protected	Codec Access 0: blocked 1: enabled	Command FIFO EN (write only)	Must be '1'	'1' for CS4231 '0' for AD1848	Must be '1'

SHPASS: To protect the internal CODEC shadow registers from written.

SPACCESS: To enable access to CODEC during Sound Blaster mode.

CFIFO: To enable command FIFO in Sound Blaster mode.

CFIX: To enable fix for Crystal 4248/4231 synchronization delays.

Normal Setting: 2F Hex (for CS4231/4248)/ 25 Hex (for AD1848/1846)

<i>MC6 MIDI Interface Register (write only)</i>							
7	6	5	4	3	2	1	0
MPU401 1: Enable	MPU401 Base 00: MPUBase=330 01: MPUBase=320 10: MPUBase=310 11: MPUBase=300		MPU401 Interrupt 00: IRQ9 01: IRQ10 10: IRQ5 11: IRQ7		reserved Must be '0'	reserved Must be '1'	reserved Must be '1'

Normal Setting: 83 Hex

<i>Digital Audio Processor Software Reset (SBBase+6) Write Only</i>							
7	6	5	4	3	2	1	0
don't care							RESET

RESET = '1' will perform a software reset on the Digital Audio Processor at the end of the IO write command. It actually sets a software reset flag. This software reset is terminated by performing another write at this location with RESET = '0'. A system reset will reset the software reset flag and thus terminates the software reset.

All other bits are don't care.

<i>Digital Audio Processor Read Data (SBBase+A) Read Only</i>							
7	6	5	4	3	2	1	0
DATA							

This is the data output port of the Digital Audio Processor.

<i>Digital Audio Processor Write Buffer Status (SBBase+C) Read Format</i>							
7	6	5	4	3	2	1	0
IBFULL	(SBBase+A){6:0}						

IBFULL is '1' when the Digital Audio Processor Input Buffer is full. This flag is set when the host CPU writes data in the input data bus buffer and cleared when the data is read by the internal Digital Audio Processor.

<i>Digital Audio Processor Data/Command Register (SBBase+C) Write Format</i>							
7	6	5	4	3	2	1	0
Command/Data							

This is the data/command write port for the Digital Audio Processor.

Digital Audio Processor Output Buffer Status (SBBase+E) Read Only							
7	6	5	4	3	2	1	0
OBFULL	Output Buffer [6:0]						

OBFULL = 1 when the Digital Audio Processor Output Buffer is full. This flag is set in the Digital Audio Processor when data is written in the output data bus buffer and cleared when the host CPU or the DMA controller reads the data in the output data bus buffer.

Reading this register will also clear the Digital Audio Processor interrupt request.

WSS Configuration Register (WSBase+0-3) Write Only							
7	6	5	4	3	2	1	0
reserved	ISS	WSIRQ			WSDRQ		
	0: normal 1: auto interrupt selection	000: disabled 001: IRQ7 010: IRQ9 011: IRQ10 100: IRQ11 101,110,111: reserved			<u>Playback</u> 000: disabled 001: DRQ0 010: DRQ1 011: DRQ3 100: disabled 101: DRQ0 110: DRQ1 111: DRQ3	<u>Capture</u> disabled disabled disabled disabled DRQ1 DRQ1 DRQ0 DRQ0	

ISS: IRQ Sense Source

WSS Version Register (WSBase+0-3) Read Only		
7	6	5:0
Channel Available	IrqSense	Version
0: DRQ0/1/3 and IRQ7/9/10/11 available 1: DRQ1/3 and IRQ7/9 available	0: no interrupt 1: WSS interrupt active	04h

TIMING PARAMETERS

		Min	Max	Units
<i>AT Bus Timing</i>				
OSC (14.318 MHz) Frequency	t ^{OSCP}	14.000	14.500	MHz
OSC High Width	t ^{OSCH}	32	40	ns
OSC Low Width	t ^{OSCL}	32	40	ns
RESET to RSTn	t ^{RST}	40	80	ns
IORn/IOWn Command Width	t ^{CMDW}	120		ns
Write Data Setup to IOWn Rising	t ^{WDSU}	30		ns
Write Data Hold from IOWn Rising	t ^{WDHD}	15		ns
Read Access Time	t ^{RAC}	20	50	ns
Address Setup to IORn/IOWn Falling	t ^{ASU}	50		ns
Address Hold from IORn/IOWn Rising	t ^{AHD}	30		ns
DACKn Setup to IORn/IOWn Falling	t ^{DKSU}	40		ns
DACKn Hold from IORn/IOWn Rising	t ^{DKHD}	160		ns
SD Hold from IORn Rising	t ^{DHR}	0	20	ns
DRQ Hold from IORn/IOWn Falling	t ^{DRHD}	0	25	ns
<i>CD ROM/FM/Mixer/Game Port Interface Timing</i>				
SA to CA Delay	t ^{CA}	3	20	ns
SA to XCSn/FMCSn/MIXCSn	t ^{XCS}	5	20	ns
SD to XD Delay	t ^{XD}	5	30	ns
XD to SD Delay	t ^{XSD}	5	30	ns
XD Read Data Hold	t ^{XDH}	5		ns
IORn/IOWn to XIORn/XIOWn Delay	t ^{CMDD}	3	20	ns
IORn/IOWn to GPRn/GPWn Delay				
IOWn to XD Enable Delay	t ^{XDE}	5	20	ns
XDRQ to DRQn Delay	t ^{DRQ}	5	20	ns
DACKn to XDAKn Delay	t ^{XDAK}	5	20	ns
<i>AD1848 Interface Timing</i>				
SA to SPCSn Delay	t ^{SPCS}	5	20	ns
SD to SPD Delay	t ^{SPD}	5	25	ns

OPTi / MediaCHIPS

82C929
Multimedia Audio Controller

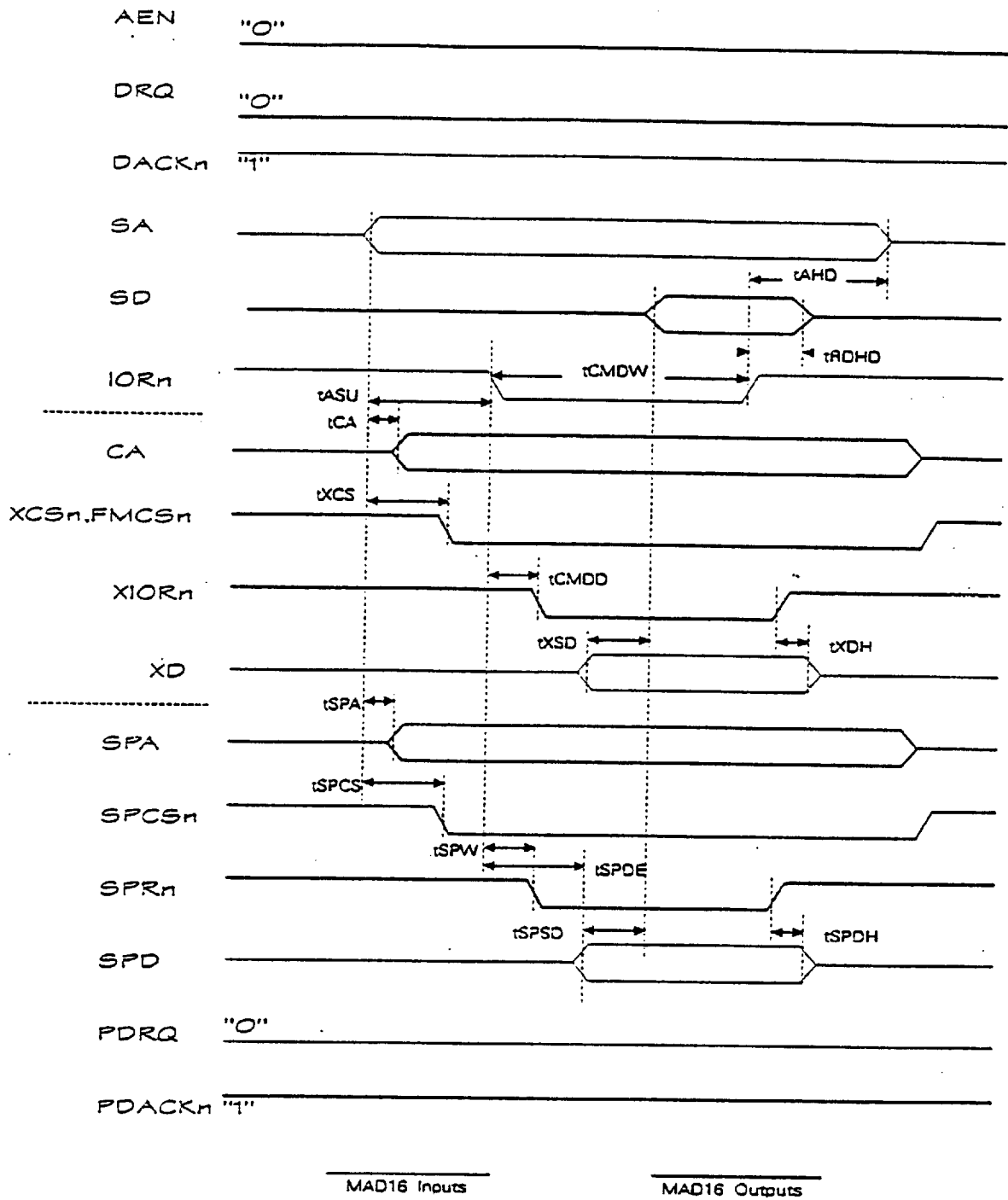
SPD to SD Delay	t ['] SPSD	5	20	ns
SPD Read Data Hold	t ['] SPDH	5		ns
IOR _n /IOW _n to SPR _n /SPW _n Delay	t ['] SPW	3	20	ns
IOW _n to SPD Enable Delay	t ['] SPDE	5	20	ns
IOW _n rising to SPD Disable Delay	t ['] SPDN	10	40	ns
DACK _n to PDAK _n /CDAK _n Delay	t ['] XDAK	5	20	ns

DC Electrical Characteristics

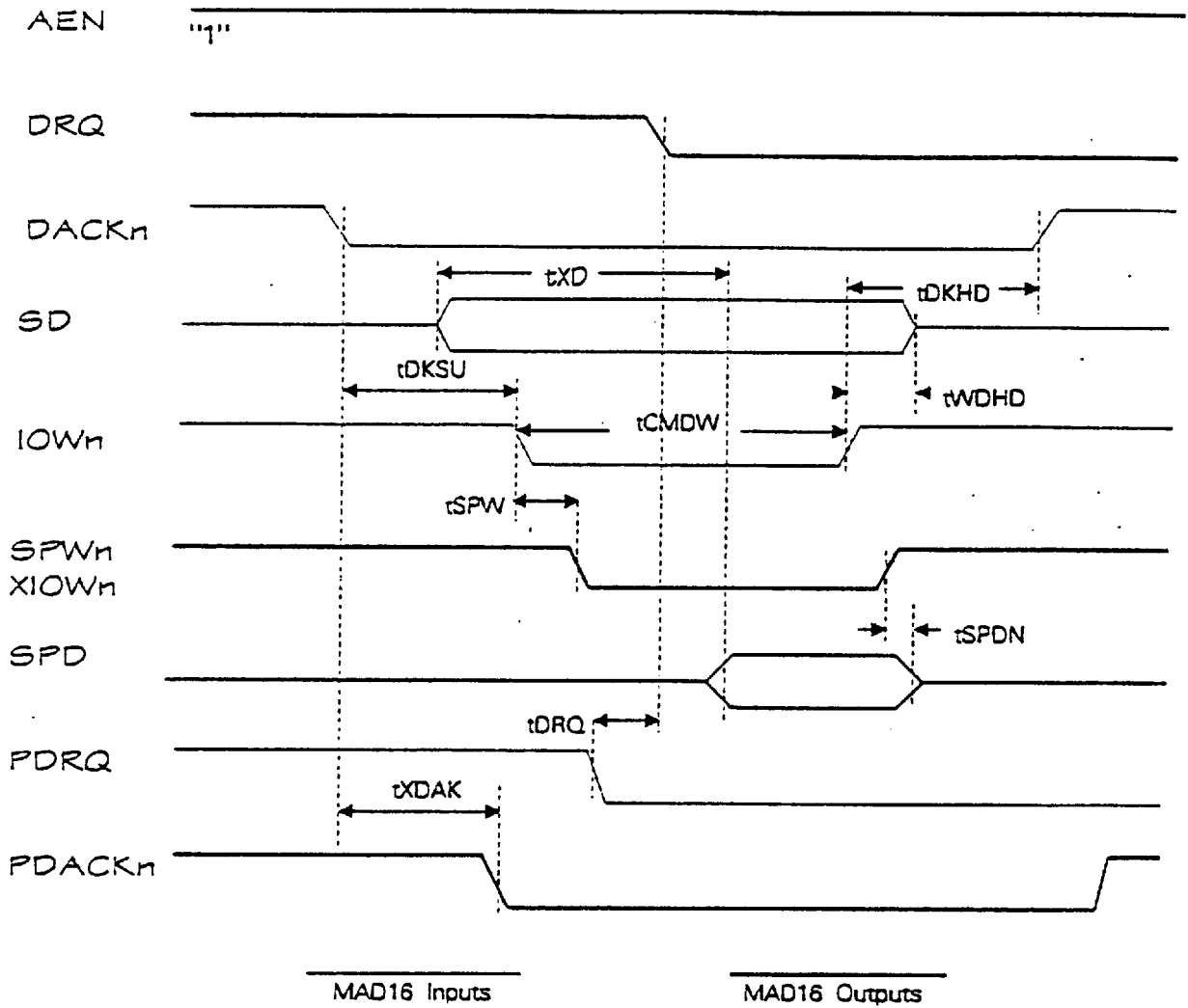
		Min	Max	Units	Conditions
Operating Supply Voltage	V _{CC}	4.5	5.5	V	
High Level Input Voltage	V _{IH}	2.4	V _{CC} + 0.3	V	V _{CC} =min
High Level Input Voltage for RESET	V _{IHa}	3.5	V _{CC} + 0.3	V	V _{CC} =min
Low Level Input Voltage	V _{IL}	-0.3	0.8	V	V _{CC} =max
High Level Output Voltage	V _{OH}	V _{CC} -0.5	V _{CC}	V	I _{OH} = -4mA V _{CC} = max
Low Level Output Voltage	V _{OL}		0.2	V	I _{OL} = 4mA V _{CC} = min
Input Leakage Current	I _{IL}		10	uA	V _{VCC} = ma
Input Leakage Current with 5K pull-up resistor	I _{ILa}	-100	-500	uA	V _{in} = 0V
Input Leakage Current with 50K pull-up resistor	I _{ILb}	-10	-50	uA	V _{in} = 0V
Output Leakage Current	I _{OL}		10	uA	V _{CC} = max
Static or Powerdown Mode Current	I _{PD}		300	uA	V _{CC} = max

Absolute Maximum Ratings

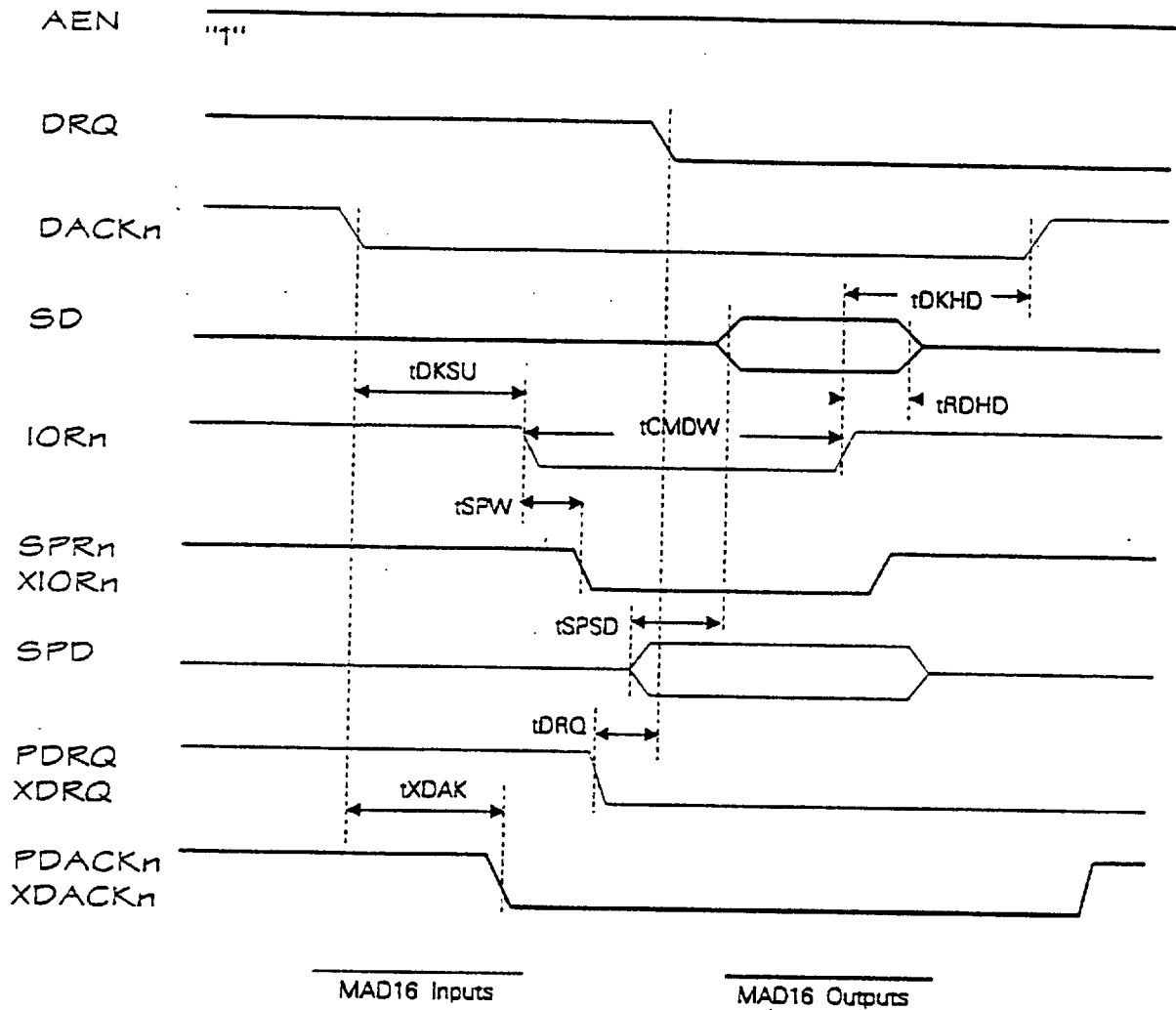
		Min	Max	Units	Conditions
Supply Voltage	V _{CC}	-0.3	7.0	V	
Storage Temperature	T _S	-65	+125	C	
Ambient Operating Temperature	T _a	-45	+85	C	



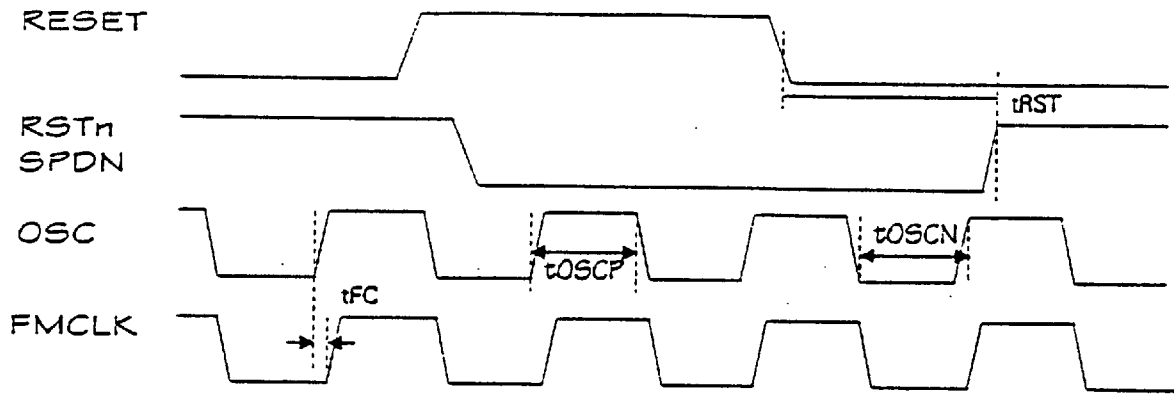
Register/CD/FM/Mixer/Sound Port IO Read Cycle



DMA Write/Playback Cycle



DMA Read/Capture Cycle

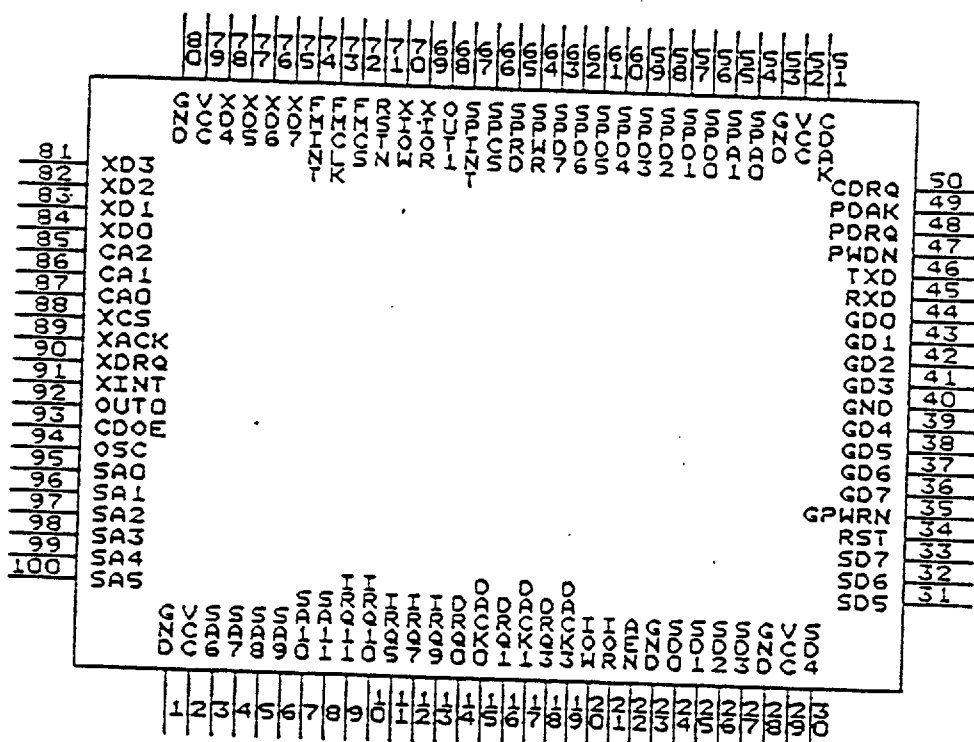


RESET and CLK Timing

OPTi / MediaCHIPS

82C929
Multimedia Audio Controller

100-Pin Plastic Quad Flat Pak Pinout



Package Dimensions

100 PIN PLASTIC QFP (14x20)

