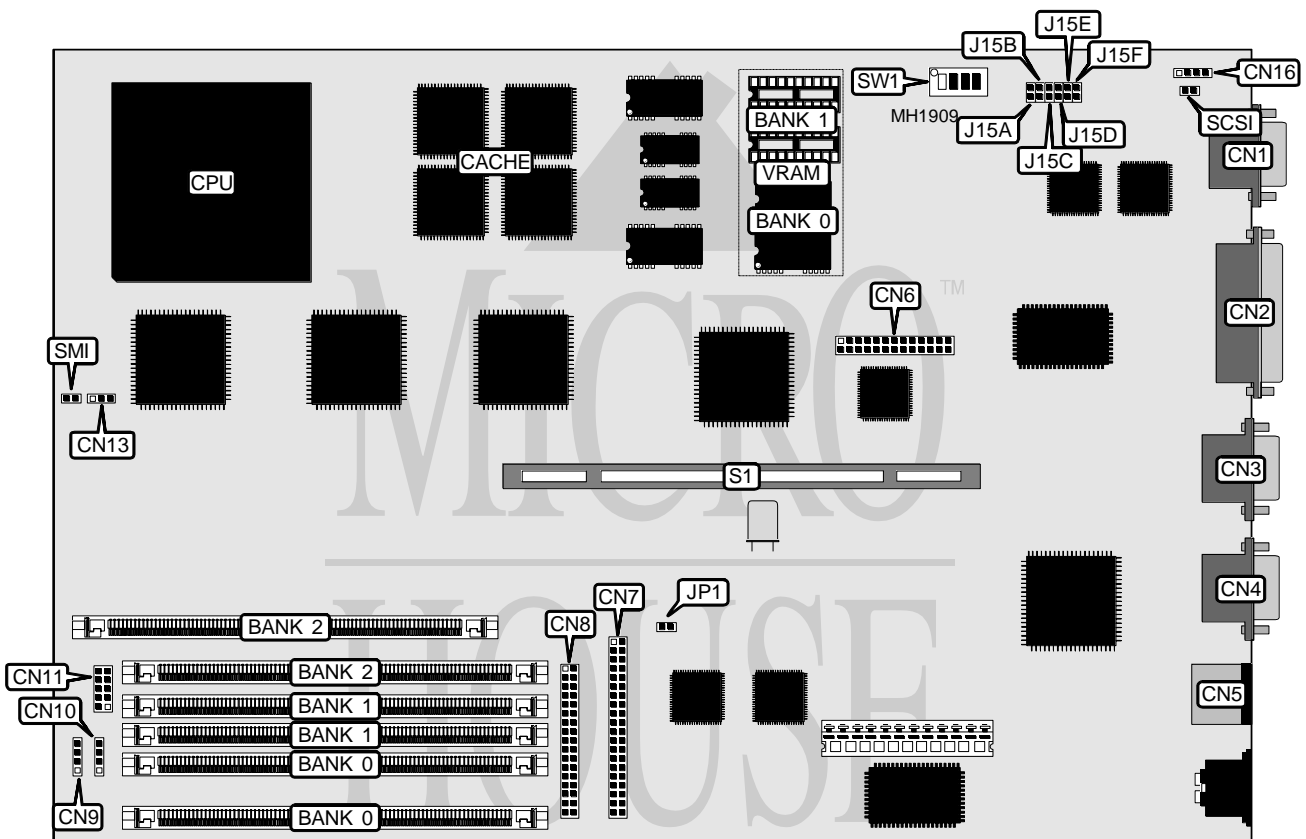


DELL COMPUTER CORPORATION POWEREDGE SP 5XX/POWEREDGE XE 5XX/OMNIPLEX 5XX-ME

Processor	Pentium
Processor Speed	60/66MHz
Chip Set	Intel
Max. Onboard DRAM	192MB
Cache	256KB
BIOS	Intel
Dimensions	330mm x 218mm
I/O Options	32-bit riser card, floppy drive interface, IDE interface, parallel port, PS/2 mouse port, SCSI connector, serial ports (2), VGA port
NPU Options	None



Continued next page...

DELL COMPUTER CORPORATION POWEREDGE SP 5XX/POWEREDGE XE 5XX/OMNIPLEX 5XX-ME

... continued from previous page.

CONNECTIONS			
Purpose	Location	Purpose	Location
VGA port	CN1	Floppy drive interface	CN8
Parallel port	CN2	External battery	CN9
Serial port 1	CN3	Speaker	CN10
Serial port 2	CN4	Chassis fan power	CN11
PS/2 mouse port	CN5	Front panel connector	CN13
Feature connector	CN6	IDE interface LED	CN16
IDE interface	CN7	32-bit riser card slot	S1

USER CONFIGURABLE SETTINGS		
Function	Jumper/Switch	Position
í Factory configured - do not alter	J15A	Open
í EISA configuration utility settings normal operation	J15B	Open
EISA configuration utility settings clear	J15B	Closed
í Factory configured - do not alter	J15C	Open
í Factory configured - do not alter	J15D	Open
í Factory configured - do not alter	JP1	Closed
í Integrated SCSI host adapter disabled	SCSI	Closed
Integrated SCSI host adapter enabled	SCSI	Open
í Factory configured - do not alter	SMI	Closed
í Monitor type built in VGA enabled	SW1/1	On
Monitor type built in VGA disabled	SW1/1	Off
í System password enabled	SW1/2	On
System password disabled	SW1/2	Off
í I/O controller uses addresses 26Eh to 26Fh	SW1/3	On
I/O controller uses addresses 398h to 399h	SW1/3	Off
í Flash BIOS update enabled	SW1/4	On
Flash BIOS update disabled	SW1/4	Off

DRAM CONFIGURATION			
Size	Bank 0	Bank 1	Bank 2
8MB	(2) 1M x 36	NONE	NONE
16MB	(2) 1M x 36	(2) 1M x 36	NONE
24MB	(2) 1M x 36	(2) 1M x 36	(2) 1M x 36
32MB	(2) 4M x 36	NONE	NONE
40MB	(2) 4M x 36	(2) 1M x 36	NONE
48MB	(2) 4M x 36	(2) 1M x 36	(2) 1M x 36
64MB	(2) 4M x 36	(2) 4M x 36	NONE

Continued next page...

DELL COMPUTER CORPORATION
 POWEREDGE SP 5XX/POWEREDGE XE 5XX/OMNIPLEX
 5XX-ME

... continued from previous page.

DRAM CONFIGURATION (CONT.)			
Size	Bank 0	Bank 1	Bank 2
72MB	(2) 4M x 36	(2) 4M x 36	(2) 1M x 36
96MB	(2) 4M x 36	(2) 4M x 36	(2) 4M x 36
128MB	(2) 16M x 36	NONE	NONE
136MB	(2) 16M x 36	(2) 1M x 36	NONE
144MB	(2) 16M x 36	(2) 1M x 36	(2) 1M x 36
160MB	(2) 16M x 36	(2) 4M x 36	NONE
192MB	(2) 16M x 36	(2) 4M x 36	(2) 4M x 36

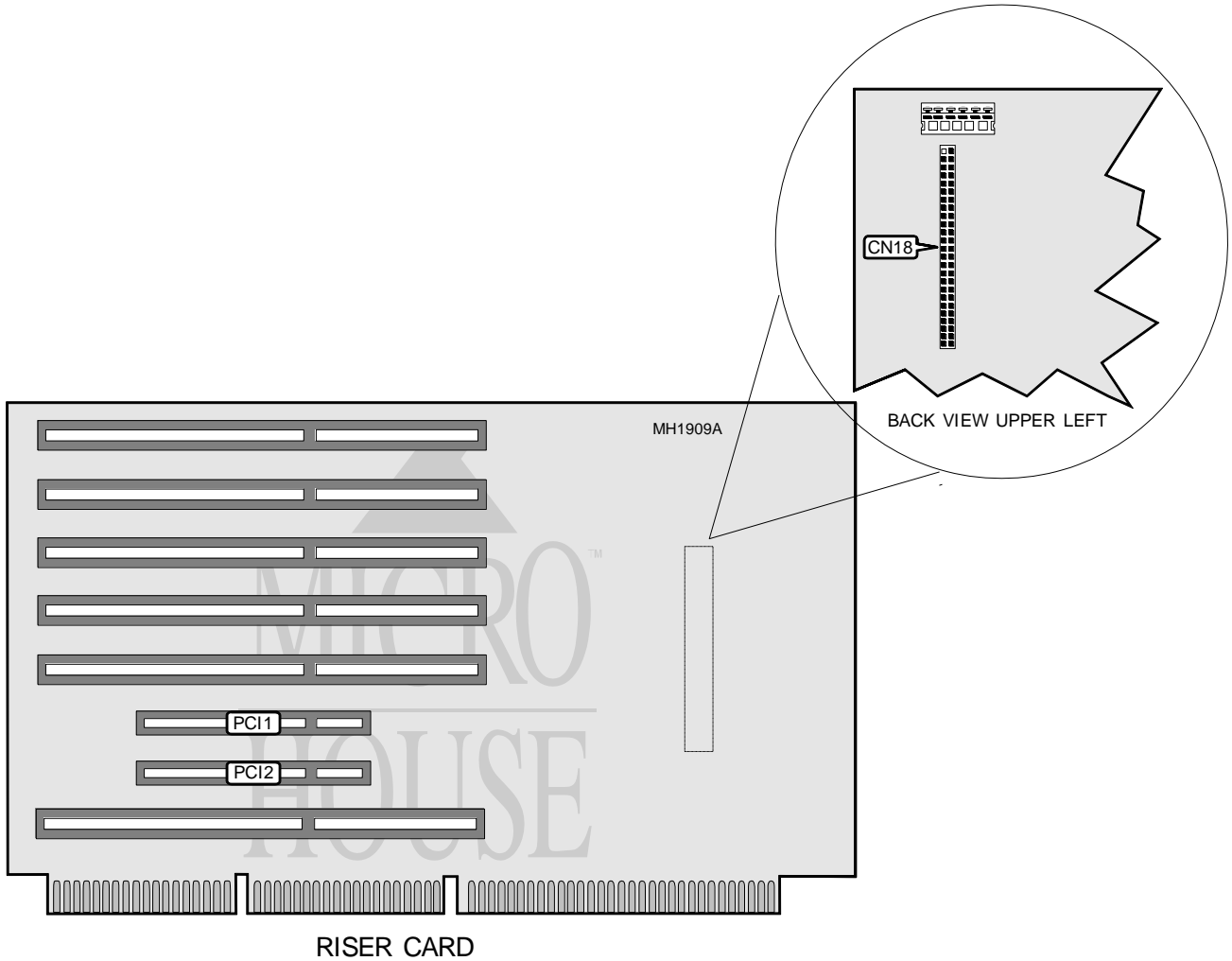
CPU SPEED CONFIGURATION			
Speed	J15F		J15E
60MHz	Closed		Open
66MHz	Open		Closed

VIDEO MEMORY CONFIGURATION			
Size	Bank 0		Bank 1
1M	(4) 44256		NONE
2M	(4) 44256		(4) 44256

Continued next page...

DELL COMPUTER CORPORATION
 POWEREDGE SP 5XX/POWEREDGE XE 5XX/OMNIPLEX
 5XX-ME

... continued from previous page.

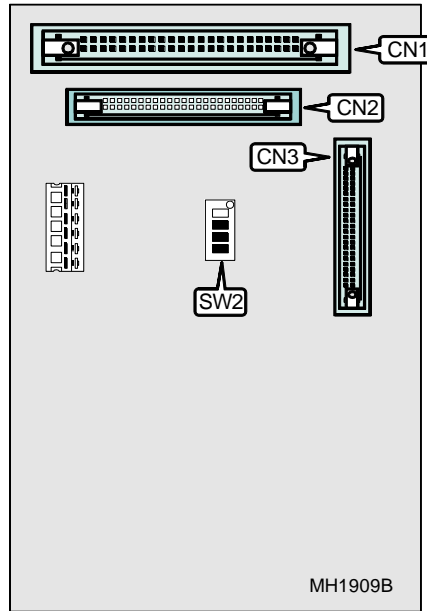


CONNECTIONS			
Purpose	Location	Purpose	Location
SCSI connector	CN18	32-bit PCI local bus slot	PCI2
32-bit PCI local bus slot	PCI1		

Continued next page...

DELL COMPUTER CORPORATION
 POWEREDGE SP 5XX/POWEREDGE XE 5XX/OMNIPLEX
 5XX-ME

... continued from previous page.



SCSI BACKPLANE BOARD

CONNECTIONS			
Purpose	Location	Purpose	Location
Narrow SCSI port	CN1	Port for Thermal Monitoring board	CN3
Wide SCSI port	CN2		

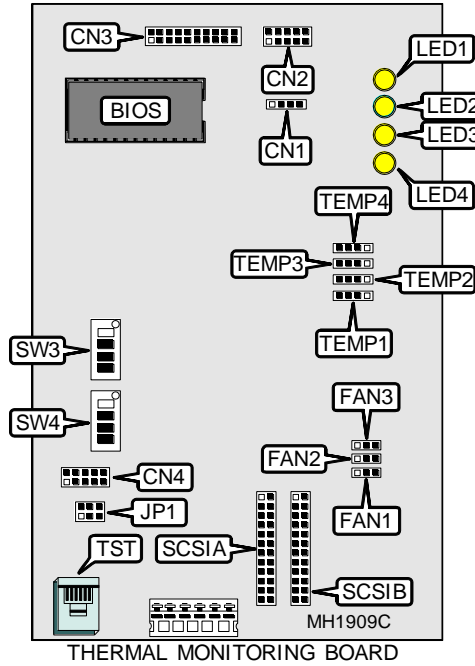
SCSI ID CONFIGURATION			
SCSI IDs	Switch	DSA Host Adapter	Non-DSA Host Adapter
Bay A = ID4	SW2/switch 1	On	Off
Bay B = ID1	SW2/switch 2	Off	Off
Bay C = ID2	SW2/switch 3	Off	Off
Bay D = ID3	SW2/switch 4	On	Off

MISCELLANEOUS TECHNICAL NOTE
The SCSI backplane board is an option and may not always be present on the mainboard.

Continued next page...

DELL COMPUTER CORPORATION POWEREDGE SP 5XX/POWEREDGE XE 5XX/OMNIPLEX 5XX-ME

... continued from previous page.



CONNECTIONS			
Purpose	Location	Purpose	Location
Speaker	CN1	SCSI connector	SCSIA
Panel connector	CN2	SCSI connector	SCSIB
manufacturer's connector	CN3	Temp connector	TEMP1
Connection to system board	CN4	Temp connector	TEMP2
Fan	FAN1	Temp connector	TEMP3
Fan	FAN2	Temp connector	TEMP4
Fan	FAN3	Test connector	TST

THERMAL MONITORING BOARD CONFIGURATION	
Thermal monitoring board installed	Setting
SW3/switch 1	On
SW3/switch 2	On
SW3/switch 3	On
SW3/switch 4	Off
SW4/switch 1	On
SW4/switch 2	Off
SW4/switch 3	On
SW4/switch 4	Off

Continued on next page . . .

DELL COMPUTER CORPORATION
POWEREDGE SP 5XX/POWEREDGE XE 5XX/OMNIPLEX
5XX-ME

... continued from previous page

LED CONFIGURATION	
LED	Function
LED1	Thermal monitoring
LED2	Temperature
LED3	Fan
LED4	Power

MISCELLANEOUS TECHNICAL NOTE
JP1 is factory configured and should not be altered.